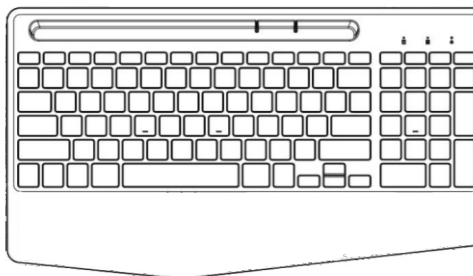


# User Manual

Model:KG659

## 2.4G Wireless Keyboard and Mouse Combo



Model : V83

Note: Please read the manual carefully before using.

Email: hayyieshservice@163.com

EN

Made in China

### Preface:

• Dear customer, thank you for purchasing Hayyiesh products. In order for you to have a better understanding of the product, please read this user manual carefully before using. Have a nice experience.

### Product Features:

- 2 in 1 USB Receiver - The keyboard and mouse share one USB Nano Receiver.
- 2.4GHz wireless connection technology, the connection distance can reach 10 meters (33 feet), plug and play, No delay.
- Full-sized wireless Keyboard with silent scissor design. Rechargeable battery saves energy. No hassle of changing keyboard and mouse batteries.
- Multimedia hotkeys provide easy access to multimedia such as music, volume, internet, E-mail and so on.
- Suitable for desktop and laptop.

### Notice:

1. When not used for a long time, it's recommended to turn off the power to prolong the battery life of the keyboard and mouse.
2. Do not use liquid to clean the keyboard directly. Clean the keyboard with alcohol or similar volatile disinfectant.

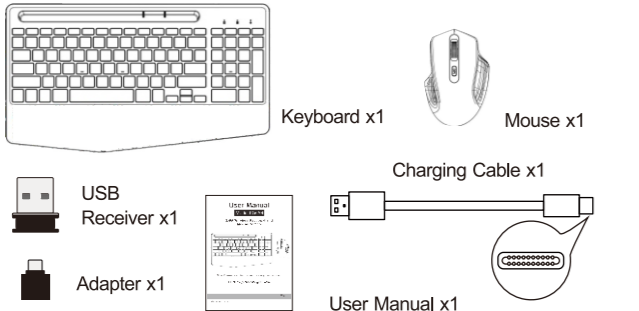
### Product Warranty Service:

1. Thank you very much for your purchase. Hope it can bring a comfortable experience. We provide 12 Months Warranty.
2. For warranty service or support and if you have any questions about products please contact our customer support directly via Amazon or our email and we will try our best to help you.

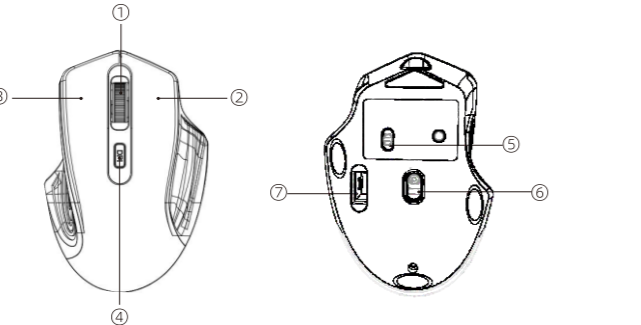
Hayyiesh Team:  
Service Email: hayyieshservice@163.com

### You will receive

① Wireless Keyboard X 1	② Wireless Mouse X 1
③ USB Receiver X 1	④ Type-C adapter X 1
⑤ User Manual X 1	⑥ Charging Cable X 1



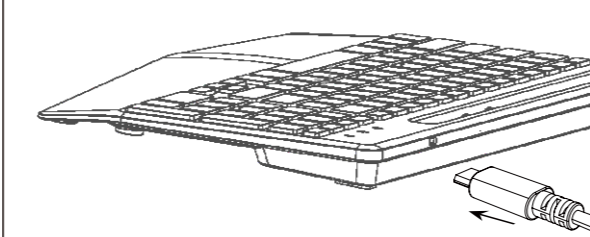
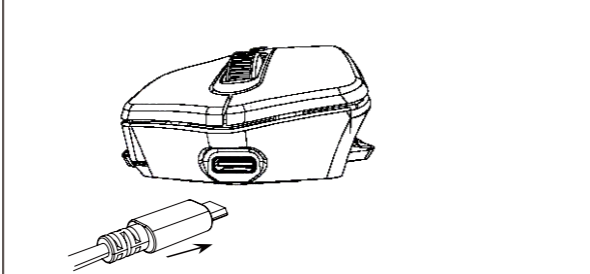
### Wireless Mouse Function:



① Left Button	② Right Button
③ Scroll Wheel	④ DPI Button
⑤ TURN ON/OFF	⑥ LED Indicator
⑦ USB Receiver	

**Note:** LED Light Indicator of the Mouse Charging: The LED red light will turn on. Fully Charged: The LED red light will turn off. When the battery is running down, please charge the mouse to make sure it works properly.

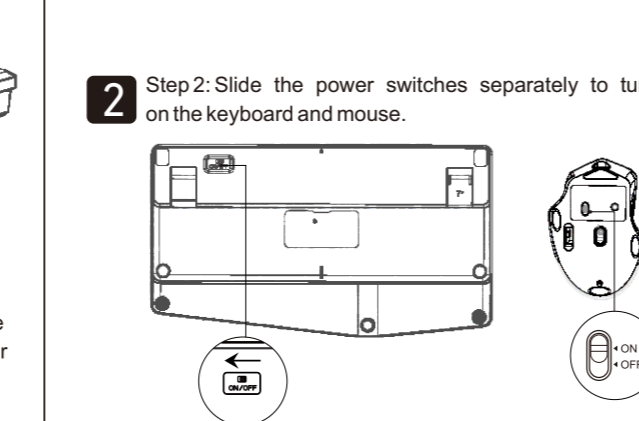
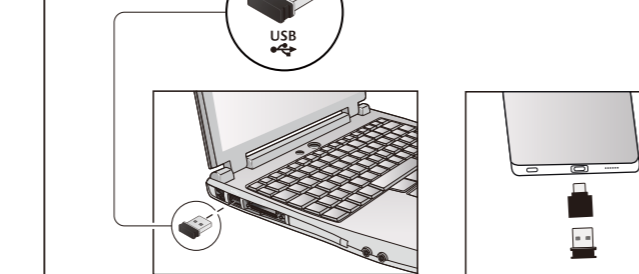
### Instruction for charging:



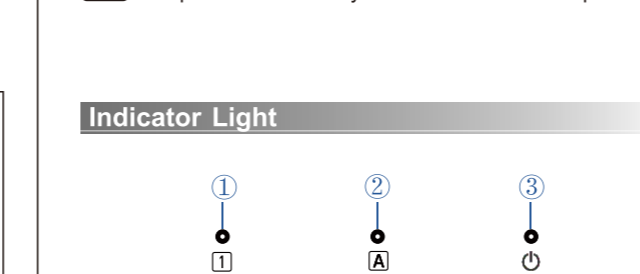
### How to connect

- 1 Step 1: Please make sure that the keyboard and mouse are fully charged. Please put the USB receiver into your computer, if your device includes Type-C port, you can also use the USB C-B Adapter.

### Step 2:

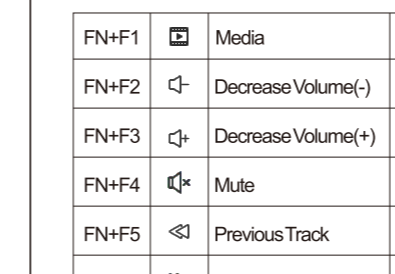


### Step 3:



- 2 Step 2: Slide the power switches separately to turn on the keyboard and mouse.
- 3 Step 3: The keyboard and mouse will connect to the computer automatically and no drivers are required.

### Indicator Light



- ① Num Lock indicator  
The Num Lock indicator will turn green when Num Lock is activated.
- ② Caps Lock indicator  
The Caps Lock indicator will turn green when Caps Lock is activated.
- ③ Power indicator  
Red light is on when charging, red light is off when full. Low battery warning: the light flashes slowly for 5 seconds (one flash per second).

### Function Keys:

FN+F1	Media	FN+F7	Play/Pause
FN+F2	Decrease Volume(-)	FN+F8	Stop
FN+F3	Increase Volume(+)	FN+F9	Home Page
FN+F4	Mute	FN+F10	E-Mail
FN+F5	Previous Track	FN+F11	My Computer
FN+F6	Next Track	FN+F12	Favorites

**Tips:** Please press "Fn" + "F1-F12" together to activate the function keys.

### Product Specifications

#### 2.4GHz Wireless Keyboard Parameters

Number of Keys	99 Keys
Battery Capacity	1000mAh
Standby Time	300 Hours
Working frequency	2.4GHz
Key life	10 Millions Strokes
Operating voltage	3.7V
Working Distance Within	10 meters
Compatibility	95/98/2000ME XP Vista /Win7 /Win 8 / Win 10 above Mac OS
Charging Current/Time	400mAh/3h
Wake up Button	Any button
Dimensions	14.60 x 5.92 x 0.96 inches
Weight	1.41 pounds
Material	ABS

#### 2.4GHz Wireless Mouse Parameters

Number of Keys	4 Keys
Mouse DPI	800-1200-1600
Initial DPI	1200 DPI
Sleep Mode	Without used for 2 min
Wake up Button	Any button
Battery Capacity	500mAh
Operation Voltage	DC 3.7V
Current Dissipation	<7mA
Dimensions	4.53 x 3.05 x 1.47 inches
Weight	0.16 pounds

### Keyboard Instructions:

Power supply instructions: Switch the power to the ON position, the power indicator light is green, indicating successful startup. If the power indicator keeps flashing green light during use, it means that the battery is low and needs to be charged. Please charge the keyboard with the TYPE-C interface data cable. When charging, the power indicator light is constant red, which means it is charging, and the indicator light goes out when it is fully charged!

Keyboard connection method: Take out the USB receiver and plug it into the computer's USB port to connect it.

### Mouse Instruction

1. Do not put this optical mouse on the mirror-glass or uneven surface, which will seriously affect the function of the mouse.
2. Please keep this wireless Mouse away from sources of strong interference, such as: household microwave ovens and so on.
3. Please clean the Mouse with small amount of anhydrous alcohol by wiping when there is dirt, do not put the Mouse fully into liquid.
4. When you use the product, if the cursor does not move or bad behavior, please check your mouse or keyboard Electricity is sufficient.

### Troubleshooting

#### Unable to connect the device

First, please fully charge the keyboard and mouse, unplug the receiver, restart the computer, and re-plug the receiver. If it can't be connected, please perform the following actions to fix it.  
**1. Keyboard can not be connected**  
Switch on the keyboard, press the "Fn" + "F12". Put the keyboard at 10 cm from the receiver for pairing. Plug the 2.4GHz USB receiver into the computer within 10 seconds. When the connection indicator is off, the keyboard pairing succeeds.

#### 2. Mouse can not be connected

Plug the receiver into the computer and turn on the mouse. Put the mouse at 10cm from the receiver for pairing. Press the right button & scroll wheel together for more than 2-3s, it's successful.

#### Keyboard typing delayed/not working

1. Make sure there is no 2.4GHz device (e.g. router) nearby to interfere with the connection.
2. Make sure the keyboard and mouse fully charged.
3. Make sure there is no full metal case that may block the signal.
4. The computer is running too many tasks and the CPU memory is full to handle the signal from the receiving end.

### The keyboard and mouse can not be charged.

1. Please check whether the charging port is connected.
2. Please try to replace the charging cable.
3. Try to change the USB port, and if the problem can not be solved, please feel free to contact us.

### WARNING

- Do not expose this product to water. Prevent liquid from entering this product. Water or humidity may cause shortcircuit and damage this keyboard.
- Do not drop or hit this product. Shocks may damage the components inside.
- Do not put this product near extreme heat or fire.
- Do not try to disassemble or modify this product on your own.

### WARRANTY COVERAGE:

30-days unconditional money-back guarantee. If you are not completely satisfied with this product for any reason, we will gladly refund your purchase price within 30 days of purchase (from the date of retail purchase). 1-year limited warranty, ONE YEAR from the date of retail purchase. If a hardware defect arises (not due to personal alterations or attempted repairs) and a valid claim is received within the Warranty Period, we will either:  
**(1) Repair the product at no charge.**

### (2) Exchange the product with a product that is new or which has been manufactured from serviceable used parts and is at least functionally equivalent to the original product.

**(3) Refund the purchase price of the product.** We may request that you send the product back to our address for the replacement and refund. The location will change according to your area of residence. Please contact our customer service for confirmation. We will NOT cover the shipping cost. We only offers warranty service for our official Amazon store and distributors. We need the order information, for example, the Amazon order number to verify your order.

This equipment has been tested and found to comply with the limits for a Class B digital device, pursuant to Part 15 of the FCC Rules. These limits are designed to provide reasonable protection against harmful interference in a residential installation. This equipment generates uses and can radiate radio frequency energy and, if not installed and used in accordance with the instructions, may cause harmful interference to radio communications. However, there is no guarantee that interference will not occur in a particular installation. If this equipment does cause harmful interference to radio or television reception, which can be determined by turning the equipment off and on, the user is encouraged to try to correct the interference by one or more of the following measures:

- Reorient or relocate the receiving antenna.
- Increase the separation between the equipment and receiver.
- Connect the equipment into an outlet on a circuit different from that to which the receiver is connected.
- Consult the dealer or an experienced radio/TV technician for help.

This device complies with part 15 of the FCC Rules. Operation is subject to the following two conditions: (1) This device may not cause harmful interference, and (2) this device must accept any interference received, including interference that may cause undesired operation.

Changes or modifications not expressly approved by the party responsible for compliance could void the user's authority to operate the equipment.

The device has been evaluated to meet general RF exposure requirement. The device can be used in portable exposure condition without restriction.