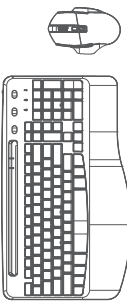
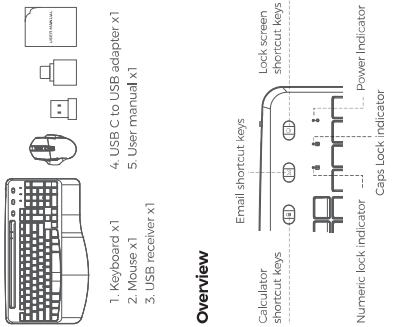
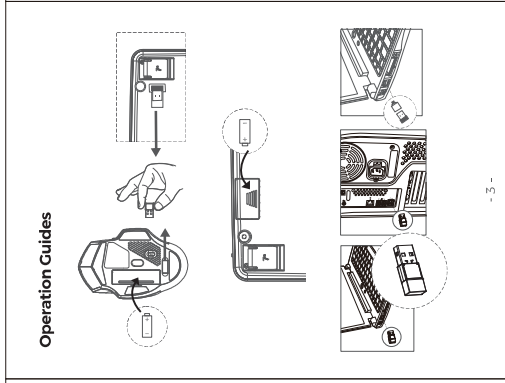
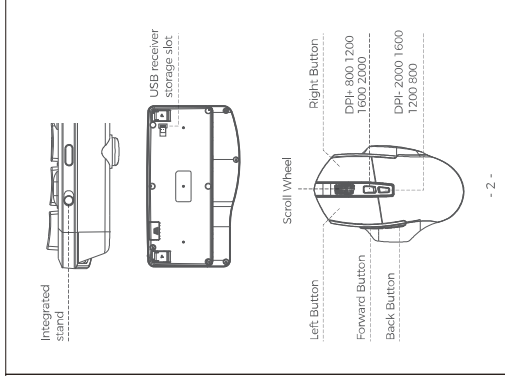


WIRELESS KEYBOARD AND MOUSE



USER MANUAL

- ### Packing List
- Keyboard x1
 - Mouse x1
 - USB receiver x1
 - USB C to USB adapter x1
 - User manual x1
- ### Overview
- 
- Calculator shortcut keys
 - Email shortcut keys
 - Lock screen shortcut keys
 - Numeric lock indicator
 - Power indicator
 - Caps Lock indicator



- Fetch the wireless keyboard and mouse, USB receiver.
- Insert two AAA batteries into the keyboard according to the positive and negative sign. And turn on the power switch of keyboard.
- Insert one AA battery into the mouse according to the positive and negative sign. And turn on the power switch of mouse.
- Plug the receiver into the USB port of your computer. If your device contains a USB C port, you can also use a USB C to USB adapter. After inserting the receiver, please wait 3 seconds for the system to automatically install the driver.
- When the computer installs driver automatically, they start serving.

FN Key Combination Instructions

KEY	Win	Mac
FN+A	Switch to Win system	/
FN+S	/	Switch to Mac system
FN+F1	Screen brightness-	Screen brightness-
FN+F2	Screen brightness+	Screen brightness+
FN+F3	Conversion Window	Array Rumber
FN+F4	Search	Focused search
FN+F5	microphone	Call Siri
FN+F6	Music	full screen screenshot
FN+F7	Previous song	Previous song
FN+F8	Play / Pause	Play / Pause
FN+F9	next song	next song

Mouse Instructions

Key	Function
Left Button L	Standard left mouse button function
Middle Button M	Standard middle mouse button function
Right button R	Standard mouse right button function
Forward FB	Standard mouse forward function
Back BB	Standard mouse back function
DPI+	800/1200/1600/2000
DPI-	2000/2600/1200/800

Correct Disposal Of This Product

(Waste Electrical & Electronic Equipment)

This Marking shown on the product or its literature, indicate that it should not be disposed with other household wastes at the end of its working life.

To prevent possible harm to the environment or human health from the incorrect waste disposal, please separate this from other types of wastes and recycle it responsibly to promote the sustainable reuse of material resources. Household user should contact either the retailer where they purchased this product, or their local government office, for details of where and how they can take this item for environmentally safe recycling.

Business users should contact their supplier and check the terms and conditions of the purchase contract. This product should not be mixed with other commercial wastes for disposal.

FCC WARNING

This device complies with part 15 of the FCC Rules. Operation is subject to the following two conditions:
 (1) This device may not cause harmful interference, and
 (2) This device must accept any interference received, including interference that may cause undesired operation.

Note: This equipment has been tested and found to comply with the limits for a Class B digital device, pursuant to part 15 of the FCC Rules. These limits are designed to provide reasonable protection against harmful interference in a residential installation. This equipment generates, uses and can radiate radio frequency energy and, if not installed and used in accordance with the instructions, may cause harmful interference to radio communications. However, there is no guarantee that interference will not occur in a particular installation. If this equipment does cause harmful interference to radio or television reception, you can try to correct the interference by one or more of the following measures:
 ---Reorient or relocate the receiving antenna.
 ---Increase the separation between the equipment and receiver.

---Connect the equipment into an outlet on a circuit different from that to which the receiver is connected.
 ---Consult the dealer or an experienced radio/TV technician for help.

Note: The Grantee is not responsible for any changes or modifications not expressly approved by the party responsible for compliance, such as alterations to the equipment and the user's authority to operate the equipment.

The device has been evaluated to meet general RF exposure requirement.
 This equipment complies with FCC's RF radiation exposure limits set forth for an uncontrolled environment. This device and its antenna(s) must not be co-located or conjunction with any other antenna or transmitter.

Contact Us

Whatever you need, we're here to help. Just get in touch, and we'll try our best to respond within 24 hours.

After-sales email: csforcustomer@gmail.com

折叠尺寸: 75×100(mm) 展开尺寸: 375×100(mm)

材质及工艺: 80g书纸 四折页 哑油

印刷颜色: 单色 双面印刷