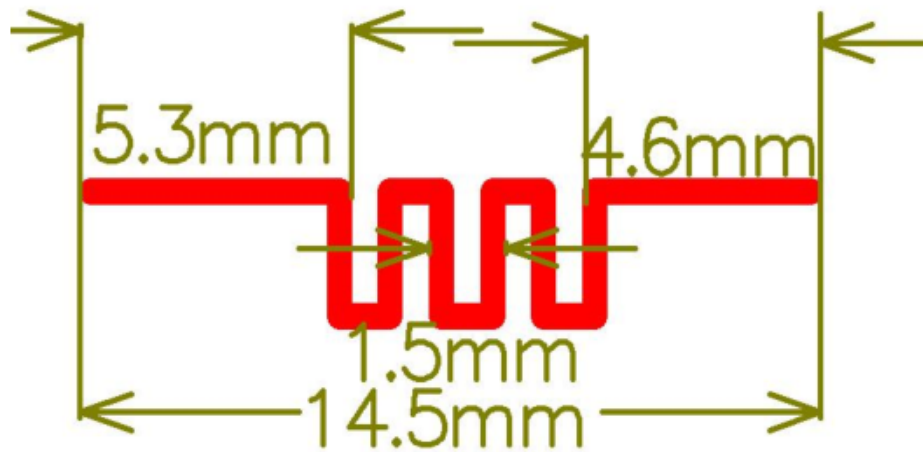


## Antenna Specification

### Summary

| ITEM                 | ANT SPEC  |
|----------------------|---|
| Model Name           | 2.4G ANT  |
| MAX. Gain            | 1.08dBi   |
| Polarization         | Horizontal and Vertical                           |
| Azimuth Beam Pattern | Omni-directional                                  |
| Impedance            | 50 Ohm  |
| Antenna Length       | 38.20mm   |
| Manufacture          | Dongguan Space Key Electronic Technology Co., Ltd |

### Antenna Photo & Length (mm)



| Frequency VNA (MHz) | Gain (Peak) (dBi) |
|---------------------|-------------------|
| 2400MHz             | 0.0403503         |
| 2410MHz             | 0.0886264         |
| 2420MHz             | 0.267381          |
| 2430MHz             | 0.193012          |
| 2440MHz             | 0.26366           |
| 2450MHz             | 0.0723139         |
| 2460MHz             | 0.36895           |
| 2470MHz             | 0.551525          |
| 2480MHz             | 0.640702          |
| 2490MHz             | 1.05232           |
| 2500MHz             | 1.08443           |
|                     |                   |
|                     |                   |