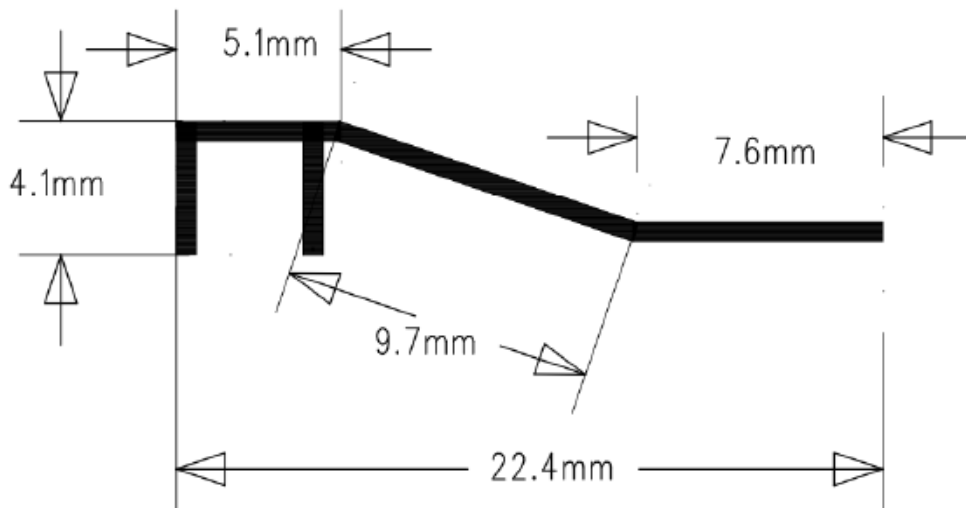


Antenna Specification

Summary

ITEM	ANT SPEC
Model Name	2.4G ANT
MAX. Gain	1.04dBi
Polarization	Horizontal and Vertical
Azimuth Beam Pattern	Omni-directional
Impedance	50 Ohm
Antenna Length	38.20mm
Manufacture	Dongguan Space Key Electronic Technology Co., Ltd

Antenna Photo & Length (mm)



Frequency VNA (MHz)	Gain (Peak) (dBi)
2400MHz	0.046
2410MHz	0.087
2420MHz	0.264
2430MHz	0.193
2440MHz	0.265
2450MHz	0.075
2460MHz	0.361
2470MHz	0.557
2480MHz	0.646
2490MHz	1.04
2500MHz	1.03