



WARNING

1. This product contains small parts, and is not suitable for children under three years old.
2. It is not a transportation vehicle. Don't ride it on road. Use it under the supervision of adults.
3. Charging must be conducted under the supervision of adults. It is normal that the charger and accumulator are tepid during the charging.
4. The assembly must be performed by adults. Don't let kids touch small parts to avoid the risks of swallowing them!
5. Don't short circuit the positive and negative electrodes of battery to avoid the risk of burning and fire!
6. Please turn off the power switch under non-riding status.
7. To ensure the electrical safety, the maximum current of fuse is 5A. Don't charge the parameters at random.
8. Please hold the charger and exert force vertically when inserting or pulling out the charger. Don't flip around.
9. During the use of children, adults or elder children are prohibited to push forward from behind to prevent the damage of motor.
10. As there is important information on the package and instruction, they must be retained.
11. This toy has no brake.
12. Protective equipment should be worn, not to be used in traffic.

Warning: Changes or modifications to this unit not expressly approved by the party responsible for compliance could void the user's authority to operate the equipment.

This device complies with Part 15 of the FCC Rules. Operation is subject to the following two conditions:

- (1) this device may not cause harmful interference, and
- (2) this device must accept any interference received, including interference that may cause undesired operation.

Warning: Changes or modifications to this unit not expressly approved by the party responsible for compliance could void the user's authority to operate the equipment.

NOTE: This equipment has been tested and found to comply with the limits for a Class B digital device, pursuant to Part 15 of the FCC Rules. These limits are designed to provide reasonable protection against harmful interference in a residential installation. This equipment generates, uses and can radiate radio frequency energy and, if not installed and used in accordance with the instructions, may cause harmful interference to radio communications. However, there is no guarantee that interference will not occur in a particular installation. If this equipment does cause harmful interference to radio or television reception, which can be determined by turning the equipment off and on, the user is encouraged to try to correct the interference by one or more of the following measures:

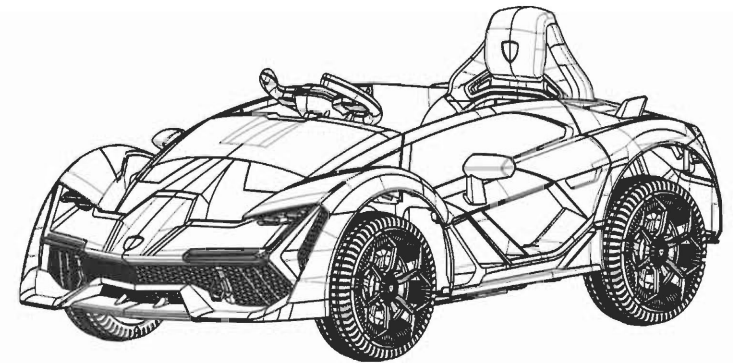
- Reorient or relocate the receiving antenna.
- Increase the separation between the equipment and receiver.
- Connect the equipment into an outlet on a circuit different from that to which the receiver is connected.
- Consult the dealer or an experienced radio/TV technician for help.

Children's electric four wheels

Installation and operating instructions

For ages: Children More than 3 years old

NEL-603



Please keep the important information inside

Thank you for choosing our electric stroller

Before using this product, please read the manual, it will tell you the correct method of operation And installation steps. To avoid improper operation method to damage the product or hurt you baby. This manual should be properly kept and placed in easy place.

Specifications

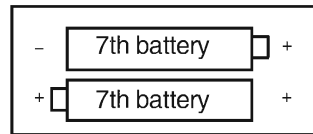
| | |
|----------------|---|
| Battery | 12V 4.5Ah |
| Motor | drive12V 18Wx2 |
| Applicable age | 3 to 5 years old |
| Maximum load | 25kg |
| Size | 114x62x31cm |
| Speed | 3.5km/h |
| net weight | 14.8kg |
| usage time | Charging 10-12 hours, can be used 1-2 hours |

Charging precautions

1. In the first use of electric vehicles, must ensure that the battery is fully charged 16 hours! Otherwise it will be permanent Damaged battery and can not be repaired. Each charging time shall not exceed 18 hours.
2. Charging the charger DC plug into the charging jack first, then the charger plugged into the power outlet.
3. Each continuous use of 1 hour, it must be timely charge, the normal charging time of 10-12 hours.Charger or battery charging process has a fever phenomenon (below 600C) are normal.
5. When the electric stroller is not used for a long time, it must be recharged at least once a month.

Remote control battery instructions

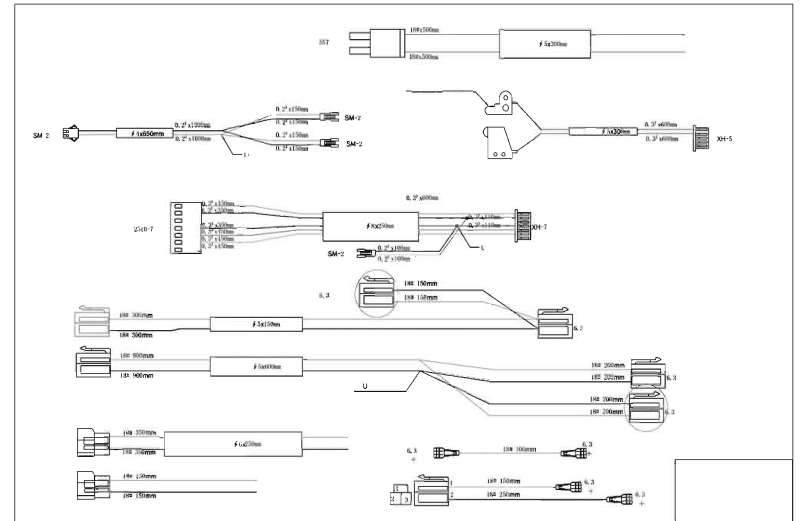
1. When the battery is installed first open the battery cover, and then according to the polarity of the battery into the lock battery cover. Similarly remove the battery.
2. The remote control uses 2 AAA batteries. . 3. Non-rechargeable battery can not be charged;
4. The rechargeable battery can only be charged under adult supervision.
5. The rechargeable battery should be removed from the toy before charging;
6. Different types of batteries or old and new batteries can not be mixed.
7. The battery should be placed in the correct polarity.
8. Exhausted battery should be removed from the toy.
9. The power terminals must not be short-circuited.



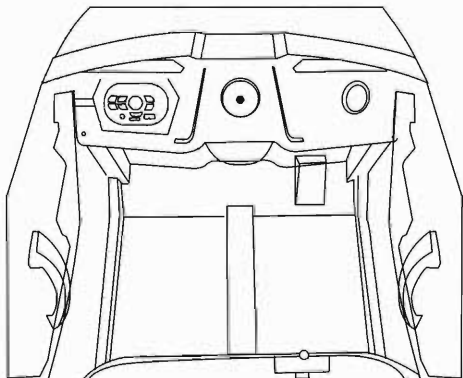
Troubleshooting

| Fault type | Detection site | Method of exclusion |
|---|---|---|
| Motor does not turn | 1. Foot switch in good contact? 2. Motor terminal wire is good or not? 3. Motor lead connector is good? 4. Disconnect the motor connector Connected to the battery rotation? | No, fix the foot switch; yes, next. No, solder the terminals online; yes, the next one.No, plug in the connector; yes, the next one.Do not turn, change motor; turn, drive circuit board Fault, send professional repair point repair. |
| Only forward no later Retreat, or just after Not move forward | 1. Detection of inverted switch, measured with a three-use table Good contact? 2. Drive line to reverse switch wiring Is it good? | No, change over switch; yes, next item. No, connect the wires; yes, drive the circuit board Fault, send professional repair point repair. |
| Very slow | 1. Check the battery voltage 2. Connect the motor (with gear box) directly On the battery, speed up? 3. Remove the gearbox and check gear rotation Good move? | No, charging; yes, next item. No, next one; yes, drive the circuit board Fault, send professional repair point repair.No, change gears; yes, change the motor. |
| Charge not into electricity | 1. Charger output terminal with or 2. The charger input and output plug-in.Pull the two end of the battery spring unplugged, measured 3. Check the charger seat is loose, Solder joints fall off? | No, change charger; Yes, the next one. Yes, for the battery; no, the next one. Yes, plug the charging station. |

Circuit diagram



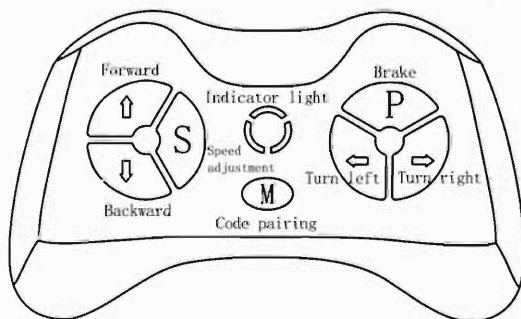
Instructions for use



Remote control status

Ride sit, turn on the power switch, the success of the remote control frequency (see the back of the remote control operation Guide) Press the "forward" button of the remote control, the car will move forward automatically, press the "back" key of the remote control, The car automatically back to run. The car design circuit for remote control priority. In the remote control forward / backward and around When turning, the manual function exits. When the remote control is stopped, the manual function will automatically reply.

In the non-riding state, please set the power switch "off"; forward / stop / reverse switch set "stop Stop." Press the music button will sound different music.



4. Remote control battery use

Open the battery cover on the remote control, load two 7 batteries, cover the battery cover and fasten it with screws..

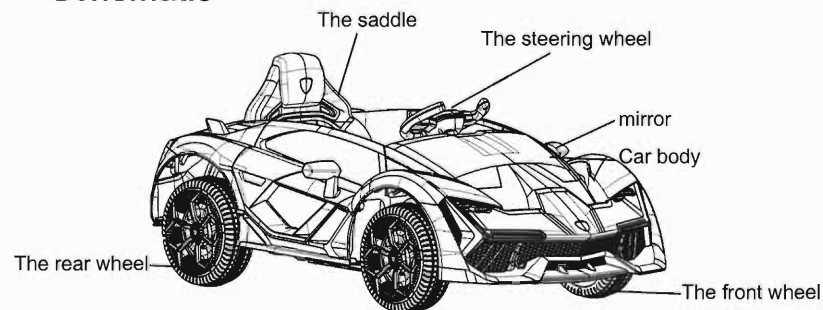
Precautions for use

1. Not in the streets, roads, slopes and other hazardous areas.
2. Please be on a well-level ground, please do not use on the smooth surface (such as marble, floor tiles) and other surfaces.
3. This product limited by one person, can not be overloaded, the maximum load 30KG.
4. Children must ride under adult guidance and caretakers must not leave during cycling.
5. Do not modify the vehicle wiring or additional charging device.
6. Do not use in water, do not pour water and other liquids in the car.
7. The car should not be blocked in the process of moving the car, so as to avoid damage to the device, such as blocked phenomenon, please immediately release Foot switch, remove the obstacles before riding,
8. The car should be timely charging slow cycling speed, cycling for too long will cause shortened battery life.
9. Do not use, please turn off the power switch, unplug the battery connector when not in use for a long time.
10. Do not drive in rainy weather.
11. The main use of PP car material, non-toxic, non-radiation, safe to use for a period of three years.

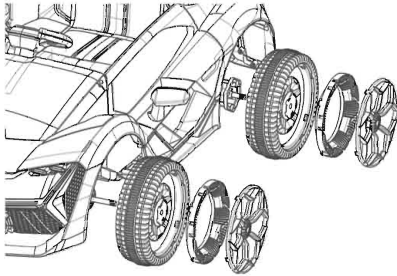
Packing Instruction

| | | | |
|-------------------------|---|----------------------|---|
| ● Product specification | 1 | ● The front wheel | 2 |
| ● Car body | 1 | ● The rear wheel | 2 |
| ● The saddle | 1 | ● The steering wheel | 1 |
| ● The remote control | 1 | ● Wheel cover | 4 |
| ● The charger | 1 | | |
| ● Accessories package | 1 | | |
| ● mirror | 2 | | |

Schematic



Instructions for use

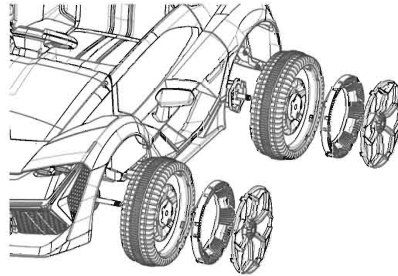


1: front wheel mounting

In turn, the wheels, spacers are cut on the left side Secure with the split pin on the right front axle Fixed and clamped on wheel cover.

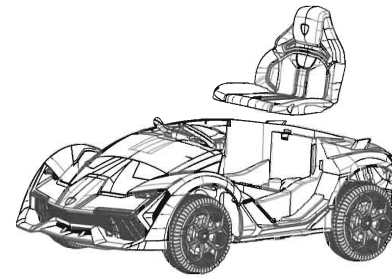
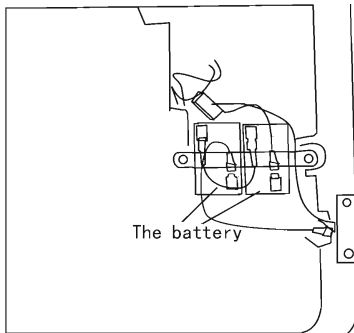
2: installation of rear wheel

Put the rear wheel on the rear axle first to make the rear wheel Close with the motor, and then cover with the steel pad The split pin, the card on the wheel cover can. After the two Same wheel installation.



3: connect power supply

Open the battery box under the seat and remove the storage The plastic protective cap on the battery socket will be red Connect the socket to the red plug on the battery When in, the total power supply is switched on. Make sure the vehicle is turned Music, the lights are working properly.

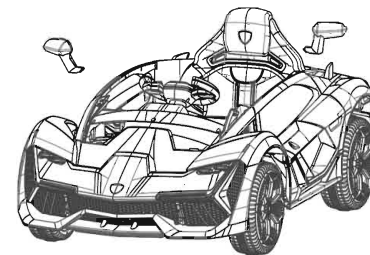
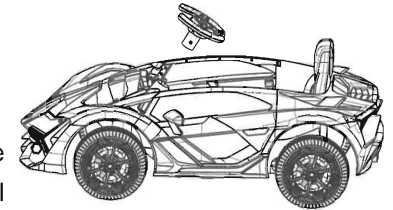


4: seat mounting

Buckle the two buttons on the back of the seat into the car body accordingly Position the front two screws of the seat with a screwdriver Just tighten it.

5: installation of steering wheel

Connect the power jack of the steering wheel first, and then spare Line from the shaft edge hole into the car body, and will The steering wheel is sleeved into the steering shaft to screw the steering wheel The holes correspond to the screw holes on the steering shaft, passing through the screwsThe screw rod is fixed with screws.



6: install the reflector

Aim the mirror at the corresponding hole position on the car body Just insert the force.