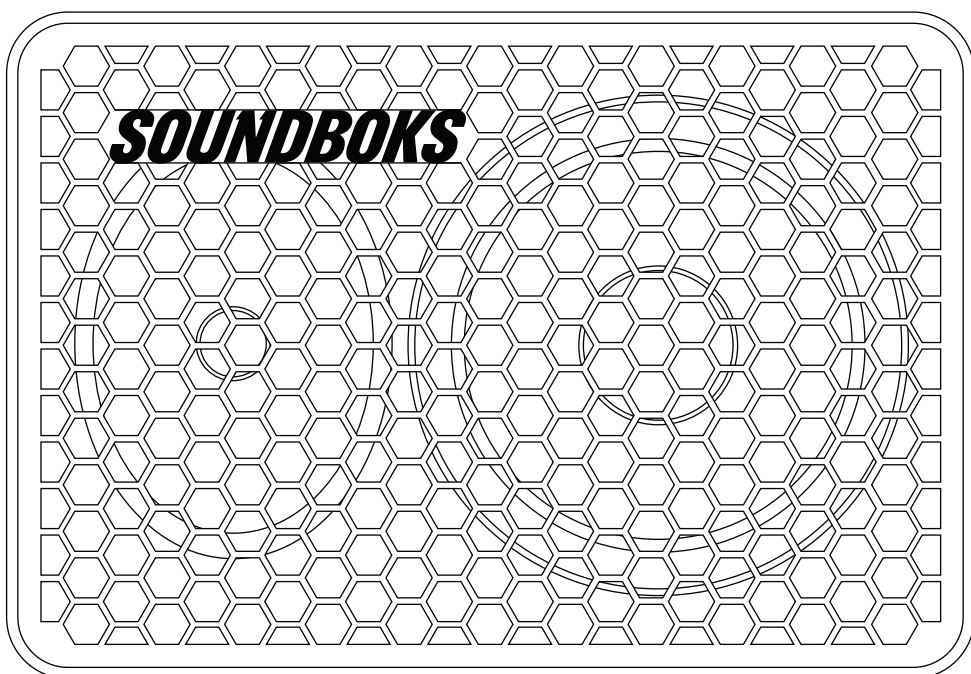


SOUNDBOKS

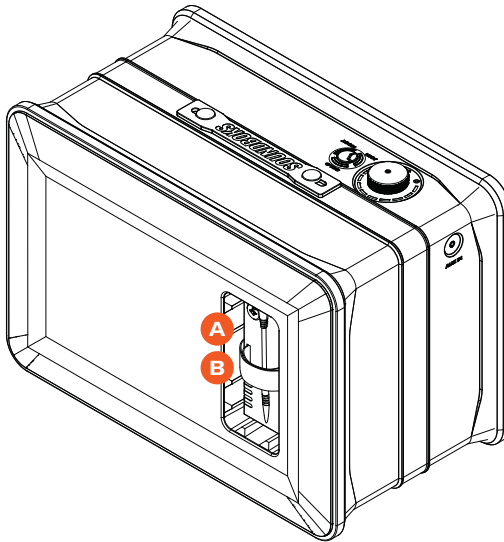
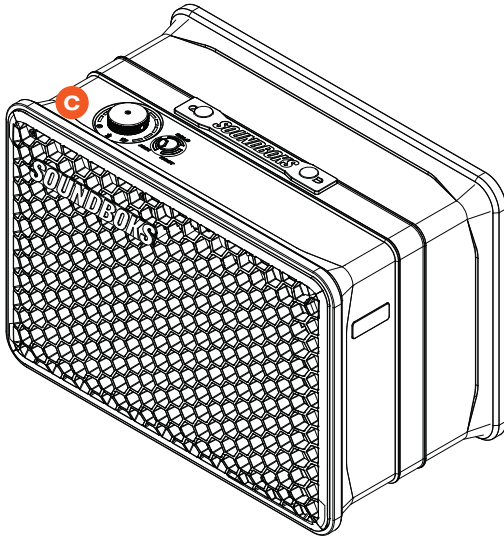
SOUNDBOKS GO USER MANUAL

Benutzerhandbuch | Manuel de l'Utilisateur

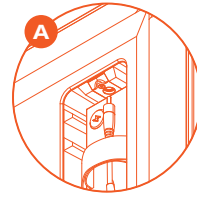


READY TO GO?

You've got your SOUNDBOKS Go.
Now here are some tips to get going.



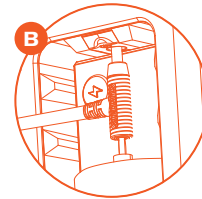
**Questions?
Get quick
answers here.**



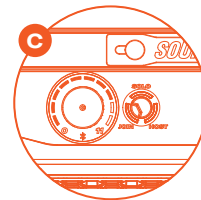
01 Charge your BATTERYBOKS fully for ~3.5 hours for optimal performance.

02 Once charged, slide (don't force) your BATTERYBOKS LED-side-down until it fits snugly into the battery slot. Then plug in the DC connector.

ⓘ Never plug the charger directly into your speaker without the battery. Your charger is not a battery supply.



03 You can play your SOUNDBOKS while charging. Just connect the battery to the charger and insert the combo plug into the speaker.



04 Power up your speaker by firmly pressing the volume knob. When the LEDs around the volume knob light up, you're ready to connect.

05 To connect, go to your device's Bluetooth settings, find and select SOUNDBOKS #YourTeamID. Your unique Team ID is located on the left side of your speaker.

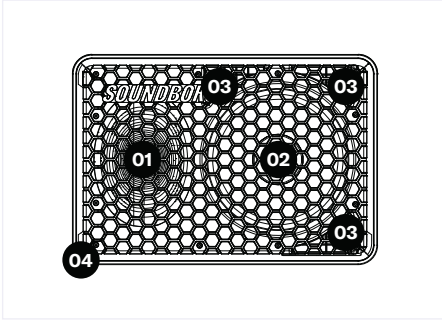
06 Choose your favorite song, turn up, go out and Break Through the Noise.



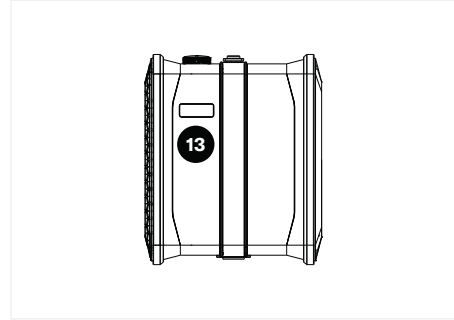
1. SOUNDBOKS GO	05
1.1 Overview // 1.2 Specifications // 1.3 This is the SOUNDBOKS Go // 1.4 LED behavior // 1.5 SKAA & Bond Button	
2. BATTERYBOKS & CHARGER	08
2.1 Overview // 2.2 Charging the BATTERYBOKS // 2.3 Warranty Information	
3. INTENDED USE	13
4. SAFETY WARNINGS	13
5. DISPOSAL INFORMATION	15
6. WARRANTY AND SERVICE	15
7. LIMITATION OF LIABILITY	15
8. COMPLIANCE	15
9. FINAL REMARKS	15



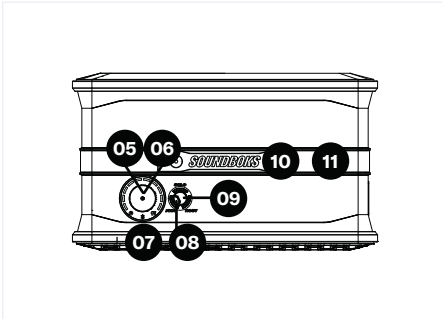
1. SOUNDBOKS Go // 1.1 Overview



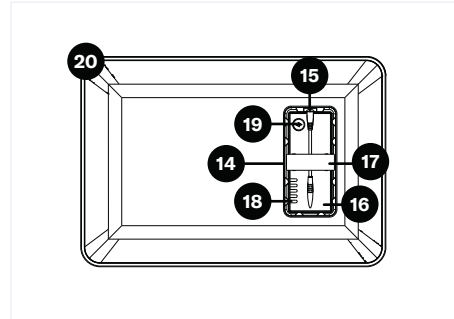
01 Tweeter // **02** Bass Driver // **03** Reflex Ports // **04** Rubber Bumper



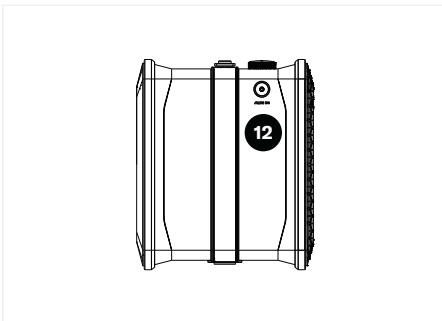
13 Team ID



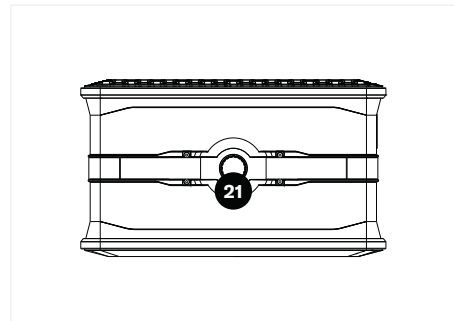
05 Power Button // **06** Volume Knob // **07** Bluetooth LED Indicator // **08** Bond Button // **09** Connect Button // **10** Handle // **11** Loop Velcro Strap



14 Battery Port // **15** DC Input // **16** BATTERYBOKS LED Indicator // **17** Strap // **18** LED Battery Life Indicator // **19** Battery Level Status Button // **20** Rubber Bumper



12 AUX Connector



21 Pole Mount

1. SOUNDBOKS Go // 1.2 Specifications**SOUND****Amplifier**

Infineon MERUSTM multilevel

Driver Units

1 x 10" 96dB Woofer

Bass reflex system

1 x 1" 102dB Horn mounted tweeter

Acoustics

SOUNDBOKS Bass Enhancer DSP (custom software to boost bass and loudness for SOUNDBOKS Go)

Custom psychoacoustics profile for added feeling of bass at a lower power consumption

High-efficiency boost converter

Tweeter temperature protection

Connectivity

Bluetooth 5.0

TeamUp connection - Wirelessly daisy chain up to 5

(total) nearby SOUNDBOKS Go speakers (SKAA)

3.5mm (1/8") AUX input

Compatibility

Compatible with iPhone® and Android™

BUILD**Dimensions**

32 x 46 x 27 cm (12.6 x 18.1 x 10.1 inches (H x W x D))

Weight

9.2 kg / 21 lb

Materials

ABS and Polycarbonate Front Baffle, Center Cabinet and Back Plate

ABS Battery Port

Anodized Aluminum Volume Knob

Rubber Handle, Bond and Connect Button

Features

MOLLE style clip and mounting system for straps, accessories

Swappable battery system

Three bass reflex ports

Ø35mm standard pole mount

TeamUp SKAA wireless connection to Host or Join

music-driven experiences

Single knob control for power and volume

Usage Temperature

-20~55°C

BATTERY**Design**

5-Step LED battery-life indicator

Reinforced DC-connector

Cell Type

12.8V, 7.8Ah Lithium Iron Phosphate (LiFePO4)

Temperature range: -20 °C to 55 °C (-4 °F to 131 °F)

Capacity: 99.84Wh or 7.8Ah

Battery Life

40 hours at mid-volume in Power mode

10 hours at full volume in Power mode

3.5 hours full recharge

Battery Management System (BMS)

Over and under-discharge protection

Short circuit protection

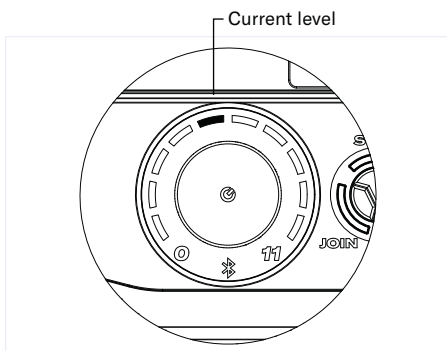
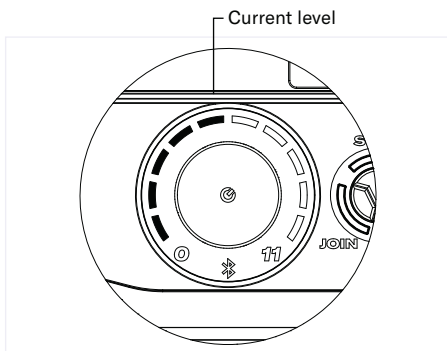
Overheat protection

Cell voltage management

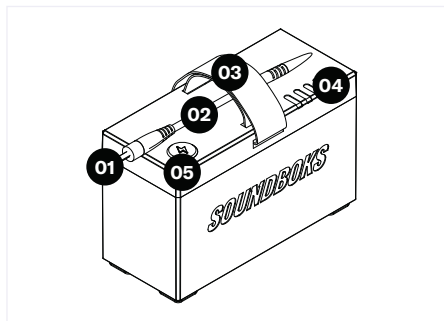
Sleep mode starts after 14 Days of Inactivity. Press the ⚡ button to wake up.

1. SOUNDBOKS Go // 1.3 LED behavior

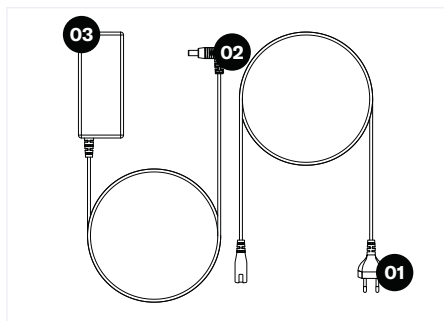
Your SOUNDBOKS Go will preserve power by deactivating trailing LEDs after 10 seconds of constant volume level.



2. BATTERYBOKS & Charger // 2.1 Overview



01 Battery DC Plug // **02** DC Cable // **03** Carry Strap
// **04** LED Battery Life Indicator // **05** Battery Level Status Button



01 Power Supply Cable - EU (standard), US (standard), UK and CH plugs available // **02** Battery DC Input // **03** Charger DC Plug

The following is the official SKAA RECEIVER USER'S GUIDE. It describes in detail how to operate and troubleshoot the Bond Button, located on the top of your SOUNDBOKS Go. The Bond Button is the control button for JOIN-mode through the wireless daisy chaining feature, TeamUP. Each SKAA® receiver has a Green List which remembers your favorite transmitters. A Green Indicator on your receiver means you are listening to a favorite or hunting for one. Your receiver can also explore to find new transmitters—an Amber Indicator means you are exploring for transmitters that are not on your Green List. A Cluster is a product with two or more pieces that behave as one. The Bond Button lets you select which transmitter you're listening to. The Bond Button has the logo consisting of two arrows.

1. SOUNDBOKS Go // 1.5 SKAA & Bond Button

Bond Button	Command	Indicator	Meaning
Hold a few seconds	Add / Delete Manually add / delete the current transmitter to / from your Green List.	● to ● ● flash	Added Deleted
Hold a few seconds	Auto Add SKAA will automatically add the current Amber transmitter to your Green List if you listen to it for 30 minutes.	● to ●	Added
1 Click	Green Mode Rotate through your list of favourite transmitters (Green List) – when a favourite transmitter is found, the search stops and audio plays from that transmitter.	● dim ● flash ● bright	Hunting Next one Bonded
2 Clicks	Amber Mode Explore for new, unknown transmitters (ones which are not already on your Green List).	● dim ● bright	Hunting Bonded
3 Clicks	Mute do again to Unmute; any Click command will first Unmute and then do its function.	●, ● or ● slow flash	Muted
4 Clicks	Red Mode If you have 2 or more transmitters on your Green List, power on just the one you want to hear and it plays automatically.	● dim ● bright	Hunting Bonded
6 Clicks	Factory Reset Clear Green List. Start over!	● flash	Reset done
Hold during power on	<p>Make a Cluster of Receivers:</p> <ol style="list-style-type: none"> 1 Power off all transmitters and receivers 2 Power on the Master receiver while holding down its Bond Button—hold the button down until the Indicator begins to flash red 3 With the remaining receivers within 3 meters of the Master receiver, power on the first on, wait for its indicator to flash red and then power on the second one; continue until all of them are powered on 4 Once all of the indicators stop flashing (turn solid red), power off all of the receivers. 	● flash ● bright	Receiver has entered <i>Cluster Up</i> mode. The Cluster has been successfully made



The SKAA Compatible Badge found on the Product certifies that this Product has been tested and is fully compliant with all of the requirements of the SKAA Standard and has been granted SKAA Certification. This Product will work seamlessly with other products in the SKAA ecosystem of audio transmitting and receiving devices. For more information on the SKAA Standard, please visit www.SKAA.com. The SKAA® name as well as its associated marks, logos and icons are trademarks or registered trademarks of Eleven Engineering Incorporated.

2. BATTERYBOKS & Charger

// 2.2 Charging the BATTERYBOKS

Remember to unplug your battery after it has been fully charged and never to leave it charging for more than 6 hours at a time, as this can potentially damage the battery. Here are the two ways of charging your BATTERYBOKS:

Charge the battery outside of the SOUNDBOKS Go

Insert the BATTERYBOKS DC Plug into the DC Input of your charger and plug the charger's power supply cable into your nearest power outlet.

Charge the battery while it's in the SOUNDBOKS Go

Slide your BATTERYBOKS into the Battery Port on the back of your SOUNDBOKS Go. Once inserted, plug the DC Plug of the battery into the DC input on the top side of the battery compartment. Then attach the DC input of your charger to the DC Plug of your BATTERYBOKS.

IMPORTANT

Please note that you can still use your SOUNDBOKS Go, when both the BATTERYBOKS and the charger are connected. Your charger is not a power supply. Never use the SOUNDBOKS Go without a BATTERYBOKS, i.e. by plugging the charger directly to the SOUNDBOKS Go.

SPECIFICATIONS – BATTERYBOKS

Rechargeable Battery

7.8Ah | 12.8V

99.84Wh

LiFePO4

4IFpP6/65/134-2

Output: **12.8V**  **7.8A**



Battery meets the regulations of UN manual of test and criteria part III, Subsection 38.3

P/N BB3 - C29 BATTERYBOKS

SPECIFICATIONS – CHARGER

Input: **100–240V ~ 50–60Hz, 1.2A MAX**

Output: **14V**  **3.3A**



2. BATTERYBOKS & Charger

// 2.3 Warranty Information

At SOUNDBOKS (collectively, SOUNDBOKS APS and SOUNDBOKS, Inc.), we know that you have probably been waiting with excitement to get your SOUNDBOKS speaker and turn it up to 11. But, before you become the envy of all your friends, we've been told by some lawyers that you should read this really interesting text. Basically, this explains all the fun legal stuff about your brand-spanking-new SOUNDBOKS speaker. We aren't promising a thrilling read, but it is pretty important and we'd appreciate you having a quick look through it. Then go amplify the neighborhood all you want!

THIS LIMITED WARRANTY GIVES YOU SPECIFIC LEGAL RIGHTS AND YOU MAY ALSO HAVE OTHER LEGAL RIGHTS, WHICH VARY FROM STATE TO STATE. WE LIMIT THE DURATION AND REMEDIES OF ALL IMPLIED WARRANTIES, INCLUDING WITHOUT LIMITATION THE WARRANTIES OF MERCHANTABILITY AND FITNESS FOR A PARTICULAR PURPOSE TO THE DURATION OF THIS EXPRESS LIMITED WARRANTY.

SOME U.S. STATES DO NOT ALLOW LIMITATIONS ON HOW LONG AN IMPLIED WARRANTY LASTS, SO THE ABOVE LIMITATION MAY NOT APPLY TO YOU.

Use only SOUNDBOKS power supply:
KA4802A-1403300P Shenzhen Keyu Power Supply Technology Co., Ltd

RISK OF FIRE OR EXPLOSION IF THE BATTERY IS REPLACED BY AN INCORRECT TYPE.

DISPOSAL OF A BATTERY INTO FIRE OR A HOT OVEN, OR MECHANICALLY CRUSHING OR CUTTING OF A BATTERY CAN RESULT IN AN EXPLOSION.

LEAVING A BATTERY IN AN EXTREMELY HIGH TEMPERATURE SURROUNDING ENVIRONMENT THAT CAN RESULT IN AN EXPLOSION OR THE LEAKAGE OF FLAMMABLE LIQUID OR GAS.

A BATTERY SUBJECTED TO EXTREMELY LOW AIR PRESSURE THAT MAY RESULT IN AN EXPLOSION OR THE LEAKAGE OF FLAMMABLE LIQUID OR GAS.

WARRANTY AND SERVICE

SOUNDBOKS WARRANTS ("LIMITED WARRANTY") THAT THE SOUNDBOKS PRODUCT IS FREE OF DEFECTS IN MATERIALS AND WORKMANSHIP AT THE TIME OF THE ORIGINAL PURCHASE BY THE END-USER (THE "CUSTOMER" OR "YOU"). THIS LIMITED WARRANTY COVERS THE FUNCTIONALITY OF THE SOUNDBOKS PRODUCT FOR ITS NORMAL, INTENDED USE IN AN ENVIRONMENT AS SPECIFIED BELOW ONLY AND DOES NOT COVER MALFUNCTIONS THAT RESULT FROM IMPROPER OR UNREASONABLE USE OR MAINTENANCE AS FURTHER SPECIFIED BELOW IN SECTION 4, AS WELL AS ANY UNAUTHORIZED REPAIR, NORMAL WEAR AND TEAR, OR EXTERNAL CAUSES SUCH AS ACCIDENTS, ABUSE, OR OTHER ACTIONS OR EVENTS BEYOND OUR REASONABLE CONTROL. This Limited Warranty is issued to the Customer who buys a new SOUNDBOKS product directly from SOUNDBOKS. This Limited Warranty cannot be assigned or transferred to any subsequent purchaser or user. Any SOUNDBOKS product purchased from an authorized retailer is covered by the warranty terms provided by such authorized retailer. The Limited Warranty is limited to the repair or replacement of the SOUNDBOKS product at SOUNDBOKS' discretion, and neither costs for transportation, removal, nor installation of a SOUNDBOKS product is covered by this Limited Warranty.

This Limited Warranty extends to TWO (2) YEARS from the Customer's original purchase of the SOUNDBOKS product.

If SOUNDBOKS receives, during the applicable warranty period, a valid notice of a defect in any SOUNDBOKS product covered by SOUNDBOKS' warranty, for a list of covered products go to SOUNDBOKS.com/help. SOUNDBOKS will, at SOUNDBOKS' option,

- within reasonable time after being notified of the defect;
- repair the defect at no charge, using new or refurbished replacement parts, or
- replace the product.

Response time may vary from country to country and is, among other things, subject to availability of parts, labor and transport.

To obtain service:

visit SOUNDBOKS.com/help

LIMITATION OF LIABILITY THE REMEDIES DESCRIBED ABOVE ARE YOUR SOLE AND EXCLUSIVE REMEDIES AND OUR ENTIRE LIABILITY FOR ANY BREACH OF THIS LIMITED WARRANTY. OUR LIABILITY SHALL UNDER NO CIRCUMSTANCES EXCEED THE ACTUAL AMOUNT PAID BY YOU FOR THE DEFECTIVE PRODUCT, NOR SHALL WE UNDER ANY CIRCUMSTANCES BE LIABLE FOR ANY CONSEQUENTIAL, INCIDENTAL, SPECIAL OR PUNITIVE DAMAGES OR LOSSES, WHETHER DIRECT OR INDIRECT.

SOME U.S. STATES DO NOT ALLOW THE EXCLUSION OR LIMITATION OF INCIDENTAL OR CONSEQUENTIAL DAMAGES, SO THE ABOVE LIMITATION OR EXCLUSION MAY NOT APPLY TO YOU.

MARKING

The SOUNDBOKS and its batteries are electrical and electronic equipment and have therefore been marked with the following pictogram.

This labeling means that the SOUNDBOKS products are obliged to follow Directive 2012/19/EU of the European Parliament and of the Council of 4 July



2012 on waste electrical and electronic equipment (WEEE Directive), and batteries and accumulators in the products are obliged to follow Directive 2006/66/EC of the European Parliament and of the Council of 6 September 2006 on batteries and accumulators and waste batteries and accumulators. Such products may not be disposed with unsorted household waste but must be taken care of individually. See more about this in the section "CONSUMER INFORMATION".

Finally, our batteries are capacity marked in regard to the relevant IEC-standards. The capacity markings show possible outlet from the battery in given situations, for example, temperature change, charging, and recharging. These markings will be visible on the product itself.

CONSUMER INFORMATION

Batteries contain substances that can be harmful to human health and damage the environment if they are not handled properly.

Batteries that are not integrated in the speaker and labeled with a pictogram must not be disposed with unsorted household waste. They must be disposed of separately.

Speakers and integrated batteries are electrical and electronic equipment. Such equipment contains materials, components, and substances that can be harmful to human health and the environment if the waste is not handled properly.

As the final user of such equipment, it is important that you dispose of your used batteries and all electrical and electronic equipment at an established recycling service. This way, you are helping to ensure that the equipment is recycled in accordance with the law and thus treating the environment with respect.

In all municipalities you will find a recycling service that accepts all electrical and electronic equipment as well as portable batteries, or you will find that they can pick it up directly at your home. To learn more, please ask your local technical administration in your municipality.

DISCLAIMER

Except as provided by the Limited Warranty and to the extent permitted by law, in no event and under no circumstances can SOUNDBOKS, its employees,

affiliates, its board of directors, any of and/or the company owners, or its third party suppliers be held accountable for direct, indirect, special, random, or consequential damages (including but not limited to financial loss, personal damages, and loss of assets and property) whether based on contract, tort or any other legal theory, hereunder but not limited to direct, indirect, special, random, or consequential damages caused by careless, wrong and inexpedient usage of the product.

SOUNDBOKS needs to, in connection with the aforementioned, draw special attention to the fact that the following actions will exempt SOUNDBOKS from any responsibility:

- Wrongly plugging in the batteries and the speaker
- Prolonged exposure of the SOUNDBOKS product to any form of precipitation
- Submerging any part of the SOUNDBOKS product in any form of liquid
- Using SOUNDBOKS products for other purposes than what they are regularly used for
- Using other chargers than the one produced and delivered by SOUNDBOKS
- Using other batteries than the ones produced and delivered by SOUNDBOKS
- Unsanctioned modification, rebuilding or repurposing of any parts of any SOUNDBOKS product, with the exception of the removal and customization of the SOUNDBOKS grill, using the provided hex key

TRADEMARKS

Names and logos in this user manual or on the product packagings are trademarks owned by SOUNDBOKS. These may not be copied nor used without the permission of SOUNDBOKS.

COMPLIANCE

Hereby, SOUNDBOKS ApS declares that this SOUNDBOKS is in compliance with the essential requirements and other relevant provisions of the following EU Compliance Directive Information. Conforms to European Union Low Voltage Directive 2014/35/EU; European Union EMC Directive 2014/30/EU; European Union Radio Equipment Directive (RED) 2014/53/EU. European Union Eco-Design Directive 2009/125/EC; European Union WEEE Directive 2012/19/EU; European Union Restriction of Hazardous Substances Recast (RoHS2) Directive 2011/65/EU; European Union Registration, Evaluation, Authorization and Restriction of Chemicals (REACH) Directive 2006/121/EC; This product contains batteries that are covered under the 2006/66/EC European Directive, which cannot be disposed of with normal household waste. Please follow local regulations.

You may obtain a free copy of the Declaration of Conformity by contacting your dealer, distributor, or SOUNDBOKS ApS worldwide headquarters. Contact information can be found here: www.SOUNDBOKS.com

This device complies with Part 15 of the FCC Rules. Operation is subject to the following two conditions:

- (1) this device may not cause harmful interference, and
- (2) this device must accept any interference received, including interference that may cause undesired operation.

This equipment has been tested and found to comply with the limits for a Class B digital device, pursuant to part 15 of the FCC Rules. These limits are designed to provide reasonable protection against harmful interference in a residential installation. This equipment generates, uses and can radiate radio frequency energy and, if not installed and used in accordance with the instructions, may cause harmful interference to radio communications. However, there is no guarantee that interference will not occur in a particular installation. If this equipment does cause harmful interference to radio or television reception, which can be determined by turning the equipment off and on, the user is encouraged to try to correct the interference by one or more of the following measures:

- Reorient or relocate the receiving antenna.
- Increase the separation between the equipment and receiver.
- Connect the equipment into an outlet on a circuit different from that to which the receiver is connected.
- Consult the dealer or an experienced radio/ TV technician for help.

The end product must carry a label stating "FCC ID: 2A29M-SBGO-21-1".

CAUTION:

Changes or modifications not expressly approved by the party responsible for compliance could void the user's authority to operate the equipment.

RF exposure warning

This equipment must be installed and operated in accordance with provided instructions and the antenna(s) used for this transmitter must be installed to provide a separation distance of at least 20 cm from all persons and must not be co-located or operating in conjunction with any other antenna or transmitter. End-users and installers must be provided with antenna installation instructions and transmitter operating conditions for satisfying RF exposure compliance.

Industry Canada statement:

This device contains licence-exempt transmitter(s)/ receiver(s) that comply with Innovation, Science and Economic Development Canada's licence-exempt RSS(s). Operation is subject to the following two conditions:

- (1) This device may not cause interference.
- (2) This device must accept any interference, including interference that may cause undesired operation of the device.

Radio Frequency (RF) Exposure Information

The radiated output power of the Wireless Device is below the Innovation, Science and Economic Development Canada (ISED) radio frequency exposure limits. The Wireless Device should be used in such a manner such that the potential for human contact during normal operation is minimized. This device has also been evaluated and shown compliant with the ISED RF Exposure limits under mobile exposure conditions. (antennas are greater than 20cm from a person's body).

WARNING, CAUTION & NOTICE

WARNING

WARNING indicates a hazardous situation which, if not avoided, could result in death or serious injury.

CAUTION

CAUTION indicates a hazardous situation which, if not avoided, could result in minor or moderate injury.

NOTICE

NOTICE is used to injury address practices not related to physical.

Your SOUNDBOKS speaker is designed to be rugged, portable, and loud. However, in order to continue to enjoy your speaker and to protect your equipment, you must read this manual completely and read the warnings including the following:

WARNING

- This speaker is extremely loud. Be cautious when standing in front of or near the speaker during broadcast as it can result in hearing damage.
- To avoid the risk of shock or product damage, always use the SOUNDBOKS speaker with the approved charger, such as the one provided with the unit.
- If you notice any signs of possible damage, such as melted plastic, abnormally high temperatures, or of odors coming from your speaker, turn off your product and contact SOUNDBOKS immediately via info@SOUNDBOKS.com.
- Be sure to read the accompanying warnings and instructions for the charger cable.
- Handling rechargeable batteries improperly may lead to fire or explosion.
- Keep the rechargeable battery away from paper clips, coins, keys, screws, or other metallic objects that could bridge the contacts. Short-circuiting caused by bridged rechargeable battery contacts may result in burns or fire.
- A normal car battery charger is not suitable.
- Never carry the rechargeable battery by the poles.
- Avoid bumps and abrupt stresses.
- Avoid electrostatic charge or discharge. Never use synthetic cloths or sponges to clean the rechargeable battery; instead only use cloths moistened with water without any additives.
- If used incorrectly, corrosive battery acid may leak out of the rechargeable battery, avoid any contact with it. In the event of accidental contact, immediately rinse with plenty of water and seek medical attention.
- The power cord and AC adapter are for indoor use only.
- Never open the device housing. Repairs may only be carried out by an authorized specialist workshop. In the process, only parts that correspond to the original device data may be used.
- Only use the accessory products specified by the manufacturer.
- If water or other debris ends up penetrating the housing, immediately pull the main plug and remove the rechargeable battery. Then contact our customer service at info@SOUNDBOKS.com or [SOUNDBOKS.com/help](https://www.soundboks.com/help).
- If the device emits smoke, smells burnt, or produces unusual sounds, immediately disconnect it from the mains or the battery and do not operate it further.
- Never modify the device. Unauthorized interventions may affect safety, functionality and warranty.
- To reduce the risk of injury due to tip-over, always use on a stable surface. Do not place the SOUNDBOKS speaker where it might fall and injure someone.
- An unstable base may cause the unit to tip and injure or even kill a person; children are particularly at risk. You can prevent a large number of accidents by taking the following precautions:

- If the SOUNDBOKS speaker is not securely mounted, do not use it in vehicles, in unstable locations, on wobbly tripods or furniture, with insufficient brackets, etc.
- Place the SOUNDBOKS speaker in such a way that it cannot be knocked over inadvertently and make sure that the cables do not pose a trip hazard.
- When storing the SOUNDBOKS speaker, also ensure that it stands safely and that it cannot be knocked down or over.
- Never allow children to operate electrical devices unsupervised.
- This product contains a chemical known to the State of California to cause birth defects or other reproductive harm.

CAUTION

Extended listening at high volumes may lead to hearing loss. To avoid damage to health, avoid extended listening at high volumes.

NOTICE

Gross misuse and incorrect care are the main reasons for damage to high-performance rechargeable batteries.

- Avoid deep discharge of under 20% for optimal rechargeable battery power.
- Recharge your rechargeable battery frequently.
- Store your rechargeable battery in a cool, but frost-free area, ideally at 15° C/59°F. Higher temperatures result in a higher rate of self-discharge and shorten the intervals between charges.
- Do not expose the rechargeable battery to direct sunlight or other sources of heat.
- A deep discharge damages the rechargeable battery cells. The most frequent cause of deep discharge is prolonged storage or failure to use a partially discharged rechargeable battery. Only store the rechargeable battery once it is fully charged.
- If the SOUNDBOKS product is subjected to warm temperatures after being cold (e.g. after transport), condensation may occur inside of it. In this case, wait at least 2 hours before you connect and activate the SOUNDBOKS product.
- Be sure to contact SOUNDBOKS if you have any concerns or if you notice melting plastic or odors coming from your SOUNDBOKS product.
- Do not place open fire sources such as burning candles or similar on the SOUNDBOKS speaker.
- Do not place SOUNDBOKS products near heat sources (e.g. heaters, ovens).
- Ensure sufficient ventilation.
- Do not cover the vents with curtains, blankets, posters or similar. The buildup of heat inside any SOUNDBOKS product can shorten its lifetime.
- If the SOUNDBOKS product is to be unattended for a prolonged period (e.g. when on vacation),

power down and disconnect the unit. Be sure to secure your SOUNDBOKS product in a clean, dry, and sheltered location.

Some of our products are labeled with the chemical name Hg (Mercury), Cd (Cadmium) or Pb (Lead). These are particularly hazardous substances, and it is important that they are removed from normal household waste and disposed at a recycling center. If the battery contains one or more of these hazardous substances, it will be marked beneath the pictogram shown above.

3. Intended Use

This product is a loudspeaker intended for playing music and sound in connection with a music device such as a smartphone, tablet, or other compatible devices. This product must not be used for any other purposes. Any other use or use under other operation conditions is considered to be improper and may result in personal injury or property damage. No liability will be assumed for damages resulting from improper use.

4. Safety Warnings

WARNING

WARNING indicates a hazardous situation which, if not avoided, could result in death or serious injury.

CAUTION

CAUTION indicates a hazardous situation which, if not avoided, could result in minor or moderate injury.

NOTICE

NOTICE is used to injury address practices not related to physical.

WARNING

- Only power your SOUNDBOKS Go using power sources supplied by SOUNDBOKS. Any power source above 12V can cause severe damage to the product.
- To reduce the risk of injury due to tip-over, always use on a stable surface. Do not place the SOUNDBOKS Go where it might fall and injure someone.
- This is an outdoor speaker. It is extremely loud. Be cautious when standing in front of or near the speaker during broadcast as it can result in hearing damage.

- To avoid the risk of shock or product damage, always use the SOUNDBOKS Go with the approved charger such as the one provided with the unit. If you notice any signs of possible damage such as melted plastic, abnormally high temperatures, odors coming from your speaker, contact SOUNDBOKS immediately, via info@SOUNDBOKS.com.
- Be sure to read the accompanying warnings and instructions for the charger cable.
- Handling rechargeable batteries improperly may lead to fire or explosion.
- Keep the rechargeable battery away from paper clips, coins, keys, screws, or other metallic objects that could bridge the contacts. Short-circuiting caused by bridged rechargeable battery contacts may result in burns or fire.
- A normal car battery charger is not suitable.
- Never carry the rechargeable battery by the poles.
- Avoid bumps and abrupt stresses.
- Avoid electrostatic charge or discharge. Never use synthetic cloths or sponges to clean the rechargeable battery; instead only use a cloth moistened with water without any additives.

If used incorrectly, corrosive battery acid may leak out of the rechargeable battery. Avoid any contact with it. In the event of accidental contact, immediately rinse with plenty of water and seek medical attention.

The power cord and AC adapter are for indoor use only. **NEVER OPEN THE DEVICE HOUSING** – Repairs may only be carried out by an authorized specialist workshop. In the process, only parts that correspond to the original device data may be used.

Only use the accessory products specified by the manufacturer. If water or other debris penetrates the product housing, immediately pull the main plug and remove the rechargeable battery. Then contact our customer service at info@SOUNDBOKS.com or [SOUNDBOKS.com/help](https://www.soundboks.com/help).

If the device emits smoke, smells burnt, or produces unusual sounds, immediately disconnect it from the mains or the battery and do not operate it further.

NEVER MODIFY THE DEVICE IN ANY MANNER – Unauthorized interventions may affect safety and functionality.

An unstable base may cause the unit to tip and injure or even kill a person; children are particularly at risk. You can prevent a large number of accidents by taking the following precautions:

- If the SOUNDBOKS Go is not securely mounted, do not use it in vehicles, in unstable locations, on wobbly tripods or furniture, with insufficient brackets, etc.
- Place the SOUNDBOKS Go in such a way that it cannot be knocked over inadvertently and make sure that the cables do not pose a trip hazard.
- When storing the SOUNDBOKS Go, also ensure that it stands safely and that it cannot be knocked down or over.
- Never allow children to operate electrical devices unsupervised.
- This product contains a chemical known to the State of California to cause birth defects or other reproductive harm.

CAUTION

- Extended listening at high volumes may lead to hearing loss. To avoid damage to health, avoid extended listening at high volumes.

NOTICE

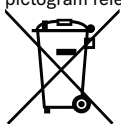
Gross misuse and incorrect care are the main reasons for damage to high-performance rechargeable batteries.

- Avoid deep discharge of under 20% for optimal rechargeable battery power.
- Recharge your rechargeable battery frequently.
- Store your rechargeable battery in a cool, but frost-free area, ideally at 15° C/59° F. Higher temperatures result in a higher rate of self-discharge and shorten the intervals between charges.
- Do not expose the rechargeable battery to direct sunlight or other sources of heat., or to sources of water or other liquids.
- A deep discharge damages the rechargeable battery cells. The most frequent cause of deep discharge is prolonged storage or failure to use a partially discharged rechargeable battery. Only store the rechargeable battery once it is fully charged.
- If the SOUNDBOKS Go is subjected to warm temperatures after being cold (e.g. after transport), condensation may occur inside of it. In this case, wait at least 2 hours before you connect and activate the SOUNDBOKS Go.
- Be sure to contact SOUNDBOKS if you have any concerns or if you notice melting plastic or odors coming from your SOUNDBOKS Go.
- Do not place open fire sources such as burning candles or similar on the SOUNDBOKS Go.
- Do not place the SOUNDBOKS Go near heat sources (e.g. heaters, ovens).
- If the SOUNDBOKS Go is to be unattended for a prolonged period (e.g. when on vacation), power down and disconnect the unit. Be sure to secure your SOUNDBOKS Go in a clean, dry, and sheltered location.

Some of our products are labeled with the chemical name Hg (Mercury), Cd (Cadmium) or Pb (Lead). These are particularly hazardous substances, and it is important that they are removed from normal household waste and disposed of at a recycling center. If the battery contains one or more of these hazardous substances, it will be marked beneath the pictogram shown above.

5. Disposal Information

This SOUNDBOKS product is electronic equipment and has therefore been marked with the following pictogram relevant in the EU.



This labeling means that the SOUNDBOKS products are obliged to follow Directive 2012/19/EU of the European Parliament and of the Council of 4 July 2012 on waste

electrical and electronic equipment (WEEE Directive). Such products may not be disposed with unsorted household waste but must be taken care of individually.

If outside of the EU, be aware that this SOUNDBOKS product is electronic equipment. Such equipment contains materials, components, and substances that can be harmful to human health and the environment if the waste is not handled properly. Dispose equipment only as required by your local laws, and at an established recycling service.

The packaging for this product is marked with the recycle symbol. As the final user, it is important that the disposal of the packaging happens at an established recycling service.

This way, you are helping to ensure that the material is recycled in accordance with the law and thus treating the environment with respect.

6. Warranty and Service

THE TERMS AND CONDITIONS FOR THE PURCHASE OF THE SOUNDBOKS PRODUCTS SPECIFY THE WARRANTY FOR DEFECTS AND CONFORMITY, AND A POSSIBLE ADDITIONAL COMMERCIAL WARRANTY, THAT IS GRANTED BY SOUNDBOKS. THE TERMS AND CONDITIONS FOR CONSUMERS (B2C) AND FOR BUSINESS PURCHASERS (B2B) CAN BE FOUND AT (LINK/URL). SPECIFIC TERMS AND CONDITIONS APPLY IN CASE THE PRODUCT IS USED FOR RENTAL ACTIVITY. THE RIGHTS UNDER THE RESPECTIVE WARRANTIES, THEIR CONDITIONS, LIMITATIONS AND REMEDIES ARE SPECIFIED IN THESE TERMS AND CONDITIONS. WE ADVISE YOU TO READ OUR TERMS AND CONDITIONS. CONSUMERS WITH RESIDENCE IN THE EU ARE REMINDED THAT THEY ARE ENTITLED TO A LEGAL GUARANTEE.

How to obtain warranty service or make a warranty claim:
In Europe: Contact SOUNDBOKS ApS, Esromgade 15, 2200 Copenhagen N, Denmark, CVR nr. 36457597, Phone: +45 78 75 03 06; E-Mail: info@SOUNDBOKS.com.

Contact the service provider and follow the procedures specified by the service provider. In the US and Canada: Contact SOUNDBOKS INC, 1725 Berkeley Street, Santa Monica, CA 90404, USA, Phone:+1 (310) 774-0480 ; E-Mail: info@SOUNDBOKS.com.

Contact the service provider and follow the procedures specified by the service provider.

7. Limitation of Liability

THE REMEDIES DESCRIBED IN OUR TERMS AND CONDITIONS ARE YOUR SOLE AND EXCLUSIVE REMEDIES AND OUR ENTIRE LIABILITY FOR ANY BREACH OF WARRANTY. OUR LIABILITY SHALL BE LIMITED AS STATED IN OUR TERMS AND CONDITIONS. WE ADVISE YOU TO READ OUR TERMS AND CONDITIONS.

The serial number of your SOUNDBOKS Go can be found on the inside of the battery compartment.

8. Compliance

EU, UNITED KINGDOM



Hereby, SOUNDBOKS ApS, the manufacturer of the SOUNDBOKS Go, declares that this SOUNDBOKS Go is in compliance with the essential requirements and other relevant provisions of the following EU Compliance Directive Information.

Conforms to European Union Low Voltage Directive 2014/35/EU;

European Union EMC Directive 2014/30/EU;
European Union Radio Equipment Directive (RED) 2014/53/ EU.

European Union Eco-Design Directive 2009/125/EC;
European Union WEEE

Directive 2012/19/EU; European Union Restriction of Hazardous Substances Recast (RoHS2) Directive 2011/65/EU;
European Union Registration, Evaluation, Authorization and Restriction of Chemicals (REACH) Directive 2006/121/EC.

This product contains batteries that are covered under the 2006/66/EC European Battery Directive, amended by Directive 2013/56, which cannot be disposed of with normal household waste. Please follow local regulations.

You may obtain a free copy of the Declaration of Conformity by contacting your dealer, distributor, or SOUNDBOKS ApS worldwide headquarters. Contact information can be found here: www.SOUNDBOKS.com

UNITED STATES

Importer:

SOUNDBOKS INC
1725 Berkeley Street
Suit 200

Santa Monica, CA 90404, USA

This device complies with Part 15 of the FCC Rules. Operation is subject to the following two conditions:

- This device may not cause harmful interference, and
- this device must accept any interference received, including interference that may cause undesired operation.

This equipment has been tested and found to comply with the limits for a Class B digital device, pursuant to part 15 of the FCC Rules. These limits are designed to provide reasonable protection against harmful interference in a residential installation.

This equipment generates, uses and can radiate radio frequency energy and, if not installed and used in accordance with the instructions, may cause harmful interference to radio communications. However, there is no guarantee that interference will not occur in a particular installation.

If this equipment does cause harmful interference to radio or television reception, which can be determined by turning the equipment off and on, the user is encouraged to try to correct the interference by one or more of the following measures:

- Reorient or relocate the receiving antenna.
- Increase the separation between the equipment and receiver.
- Connect the equipment into an outlet on a circuit different from that to which the receiver is connected.
- Consult the dealer or an experienced radio/TV technician for help.

CAUTION:

Any changes or modifications not expressly approved by the grantee of this device could void the user's authority to operate the equipment.

RF exposure warning

This equipment must be installed and operated in accordance with provided instructions, and the antenna(s) used for this transmitter must be installed to provide a separation distance of at least 20 cm from all persons and must not be co-located or operating in conjunction with any other antenna or transmitter.

End-users and installers must provide antenna installation instructions and transmitter operating conditions for satisfying RF exposure compliance.

CANADA

Industry Canada statement

This device contains licence-exempt transmitter(s)/ receiver(s) that comply with Innovation, Science and Economic Development Canada's licence-exempt RSS(s). Operation is subject to the following two conditions:

This device may not cause interference,

This device must accept any interference, including interference that may cause undesired operation of the device.

Radio Frequency (RF) Exposure Information

The radiated output power of the Wireless Device is below the Innovation, Science and Economic Development Canada (ISED) radio frequency exposure limits. The Wireless Device should be used in such a manner such that the potential for human contact during normal operation is minimized. This device has also been evaluated and shown compliant with the ISED RF Exposure limits under mobile exposure conditions (antennas are greater than 20 cm from a person's body).



The Bluetooth® trademark and logos are registered trademarks owned by Bluetooth SIG, Inc. and the use thereof is under license.

iPhone® is a registered trademark of Apple, Inc. Android™ is a trademark of Google, Inc.

9. Final Remarks

We hope that you'll have an awesome time with your SOUNDBOKS product, and please feel free to reach out to us with questions, ideas, or anything else. We'd love to talk to you!

Business Address:

SOUNDBOKS Inc.
2711 Centerville Road,
Suite 400, Wilmington,
New Castle County, Delaware 19808.
United States of America
+1 (310) 774-0480
info@SOUNDBOKS.com

For rest of the World:

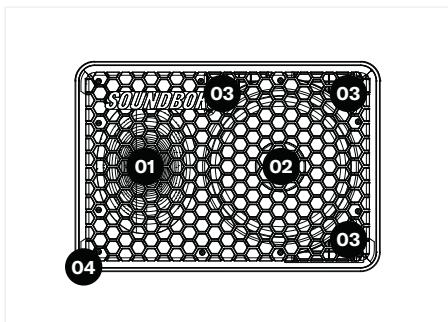
SOUNDBOKS ApS
CVR: 36457597
Esromgade 15, 1107
2200 Copenhagen N
Denmark
+45 78 75 03 06
info@SOUNDBOKS.com



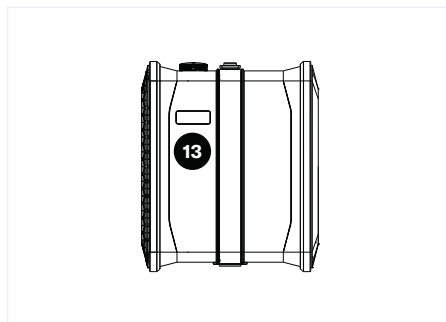
1. SOUNDBOKS GO	18
1.1 Übersicht // 1.2 Technische Daten // 1.3 Das Ist Die SOUNDBOKS Go // 1.4 LED-Verhalten // 1.5 SKAA- & Bond-Taste	
2. BATTERYBOKS & LADEGERÄT	21
2.1 Übersicht // 2.2 Laden der BATTERYBOKS // 2.3 Garantieinformationen	
3. VERWENDUNGSZWECK	25
4. SICHERHEITSWARNUNGEN	26
5. INFORMATIONEN ZUR ENTSORGUNG	27
6. GARANTIE UND SERVICE	27
7. HAFTUNGSBESCHRÄNKUNG	28
8. KONFORMITÄT	28
9. SCHLUSSBEMERKUNGEN	29



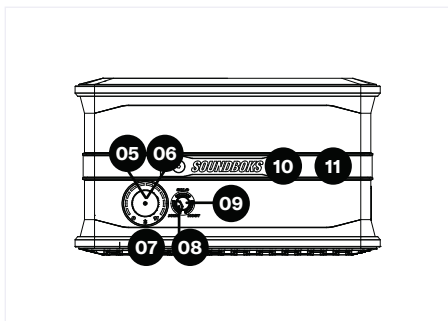
1. SOUNDBOKS Go // 1.1 Übersicht



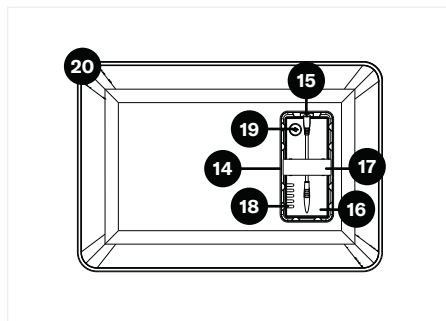
01 Hochtöner // **02** Tieftöner // **03** Bassreflexöffnungen // **04** Gummipuffer



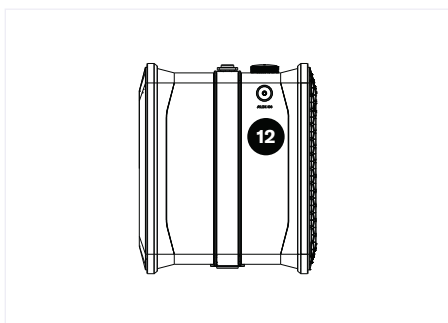
13 Team ID



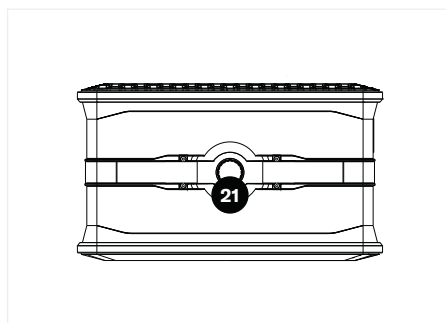
05 Power-Taste // **06** Lautstärkeregler // **07** Bluetooth LED-Anzeige // **08** Bond-Taste // **09** Connect-Taste // **10** Griff // **11** Schlaufen-Klettverschluss



14 Akkufach // **15** DC-Eingang // **16** BATTERYBOKS // **17** Gurt // **18** LED-Akkuanzeige // **19** Akkustand-Button // **20** Gummipuffer



12 AUX-Anschluss



21 Ständerhalterung



1. SOUNDBOKS Go // 1.2 Technische Daten

TON

Verstärker

Branchenführende Effizienz mit patentierter Infineon MERUS™-Mehrstufenverstärkertechnik

Treibereinheiten

1 × 10" 96 dB Tieftöner-Bass-Reflex-System
1 × 1"102 dB Hornhohtöner

Akustik

SOUNDBOKS Bass Enhancer DSP (speziell für die SOUNDBOKS Go entwickelte Software zur Steigerung von Bass und Lautstärke, ähnlich der SOUNDBOKS (Gen. 3))
Speziell entwickeltes psychoakustisches Profil für mehr Bass bei geringerem Stromverbrauch
Hocheffizienter Aufwärtswandler
Leistungsstarker DSP für die Audioverarbeitung (ähnlicher Chip, aber neue Software)
Ein einzigartiger temperatursensibler Schutzalgorithmus für Verstärker-Hochtöner stellt sicher, dass der Hochtöntreiber niemals zu heiß wird oder fehlerhaft funktioniert.

Konnektivität

Bluetooth 5.0
TeamUp-Verbindung – Drahtlose Daisy-Chain-Verbindung von (insgesamt) bis zu 5 in der Nähe befindlichen SOUNDBOKS Go-Lautsprechern (SKAA) AUX-Buchse

Kompatibilität

Kompatibel mit iPhone® und Android™

BAUWEISE

Maße

32 × 46 × 27 cm (12,6 × 18,1 × 10,1 Zoll (H × W × D))

Gewicht

9,2 kg / 21 lb

Materialien

Vordere Schallwand, mittleres Gehäuse und Rückplatte aus ABS und Polycarbonat
ABS-Akkufach
Lautstärkeregler aus eloxiertem Aluminium
TPU Griff, Bond und Connect Button aus Silikon-Kautschuk
Gewobenes Polyesterband mit Polyester-Klettverschluss

Gebrauchstemperaturbereich

-20~55°C

Funktionen

Schlafen im Gurt zum Befestigen von Zubehör
Austauschbare Akkus
Drei Bassreflexöffnungen für verbesserte Basswiedergabe

Ø 35 mm Stangenhalterung
Host/Join-Modus für drahtloses TeamUP
Lautstärkereglung mit Ein/Aus-Funktion

AKKU

Design

5-Stufen-LED-Akkuanzeige
Hochbelastbarer DC-Anschluss

Zellentyp

12,8 V, 7,8 Ah Lithium-Eisen-Phosphat (LiFePO4)
Temperaturbereich: -20 °C to 55 °C (-4 °F to 131 °F)
Kapazität: 99,84 Wh oder 7,8 Ah

Akkulebensdauer

40 Stunden bei mittlerer Lautstärke im Power-Modus
10 Stunden bei voller Lautstärke im Power-Modus
3,5 Stunden Gesamtladezeit

Akkumanagementsystem (BMS)

Schutz vor Über- und Unterlast
Kurzschlusschutz
Überhitzungsschutz
Spannungsmanagement in den Zellen
Der Schlummermodus startet nach 14 Tagen ohne Betrieb. Drück den ⚡-Knopf, um aufzuwachen.

1. SOUNDBOKS Go // 1.3 Das ist SOUNDBOKS Go

Wenn du dies liest, bist du gerade zum stolzen Besitzer einer SOUNDBOKS Go geworden. Bevor du loslegst, solltest du dir allerdings einige Informationen durchlesen.

1. Bewahre nach dem Auspacken deines neuen Lautsprechers die Originalverpackung für Reisen, Transport oder Rücksendungen und Reparaturen auf.
2. Lade deine BATTERYBOKS für optimale Leistung und Akkulaufzeit ca. 3,5 Stunden vollständig auf (weitere Informationen findest du im Abschnitt `Batteryboks & Ladegerät`).
3. Schiebe deine BATTERYBOKS nach dem Aufladen ins Akkufach (nicht gewaltsam!) und stecke den DC-Anschluss ein. Die BATTERYBOKS sollte sich ohne großen Widerstand genau passend einsetzen lassen.
4. Drücke fest auf den Lautstärkeregler im Bedienfeld, um deinen Lautsprecher einzuschalten. Wenn die LEDs um den Lautstärkeregler aufleuchten, kannst du eine Verbindung herstellen.
5. Zeit, sich mit deiner Musik zu verbinden.
 - Über Bluetooth: Wenn die blaue Anzeige im Bedienfeld leuchtet, suche in den Bluetooth-Einstellungen deines Players nach Geräten und wähle deine SOUNDBOKS #YourTeamID (deine eindeutige Team-ID befindet sich auf der linken Seite der SOUNDBOKS Go).

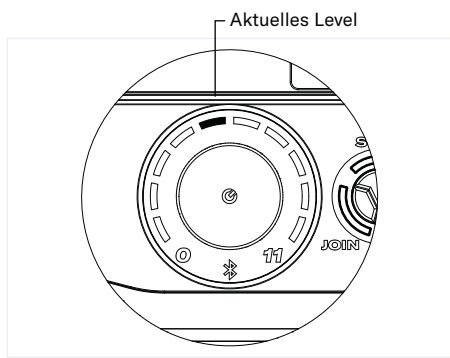
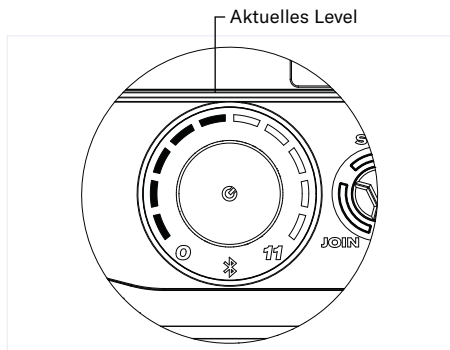




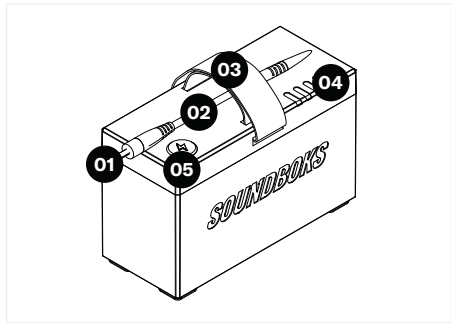
- Über TeamUP: Drücke im Bedienfeld zweimal die TeamUP-Taste, um in den Join-Modus zu wechseln; nun kannst du eine Host-SOUNDBOKS hinzuzufügen und mit der SOUNDBOKS-App ein Stereo-Setup erstellen.
 - Über die AUX-Buchse: Verbinden Sie ein Ende eines AUX-Kabels mit Ihrem kompatiblen Gerät und das andere Ende mit der AUX-Buchse auf der linken Seite Ihrer SOUNDBOKS Go. Jetzt spielen Sie Ihre Musik ab!
6. Jetzt heißt es aufdrehen, ab nach draußen und: Zeig, dass du da bist!

1. SOUNDBOKS Go // 1.4 LED-Verhalten

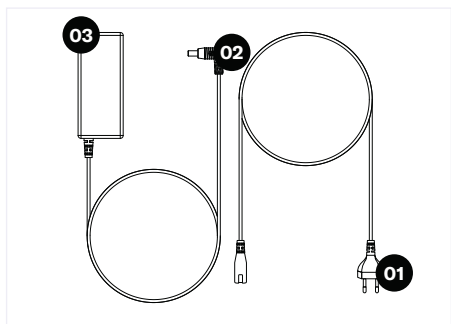
Ihre SOUNDBOKS Go erhalten Strom, indem Sie die nachlaufenden LEDs nach 10 Sekunden konstanter Lautstärke deaktivieren.



2. BATTERYBOKS & Ladegerät // 2.1 Übersicht



01 DC-Stecker des Akkus // **02** DC-Kabel // **03** Tragegurt // **04** LED-Akkuanzeige // **05** Akkustand-Button



01 Stromversorgungskabel – EU- (Standard), USA- (Standard), UK- und CH-Stecker erhältlich // **02** DC-Eingang des Akkus // **03** DC-Stecker des Ladegeräts

1. SOUNDBOKS Go // 1.5 SKAA- & Bond-Taste

Nachfolgend findest du das offizielle SKAA RECEIVER-BENUTZERHANDBUCH. Dort wird ausführlich beschrieben, wie die Bond-Taste oben auf deiner SOUNDBOKS Go zu bedienen und Fehler zu beheben sind. Die Bond-Taste ist die Steuertaste für den JOIN-Modus mittels der drahtlosen Daisy-Chain-Funktion TeamUP. Jeder SKAA®-Receiver verfügt über eine Green List mit deinen Lieblings-Receivern. Die grüne Anzeige an deinem Receiver bedeutet, dass du einen Favoriten hörst oder nach einem suchst. Dein Receiver kann auch nach neuen Sendern suchen. Eine gelbe Anzeige steht für die Suche nach Sendern, die nicht auf deiner Green List stehen. Ein Cluster ist ein Produkt mit zwei oder mehr Komponenten, die sich wie eine einzige verhalten. Mit der Bond-Taste kannst du auswählen, welchen Sender du hörst. Die Bond-Taste hat das Logo mit den zwei Pfeilen.





1. SOUNDBOKS Go // 1.5 SKAA- & Bond-Taste

Bond-Taste	Befehl	Anzeige	Bedeutung
Einige Sekunden gedrückt halten	Hinzufügen/Löschen Manuelles Hinzufügen/Löschen des aktuellen Senders zu/von deiner Green List.	● zu ● ● blinkend	Hinzugefügt Gelöscht
Einige Sekunden gedrückt halten	Auto Add SKAA fügt automatisch den aktuellen Amber-Sender deiner Green List hinzu, wenn du ihn 30 Minuten lang hörst.	● zu ●	Hinzugefügt
1 Klick	Green Mode Deine Liste der Lieblingssender (Green List) durchblättern – Wenn ein Lieblingssender gefunden wird, stoppt die Suche und die Audiowiedergabe dieses Senders beginnt.	● abgedunkelt ● blinkend ● hell	Auf der Suche Nächster Bonded
2 Klicks	Amber Mode Suche nach neuen, unbekanntem Sendern (solche, die nicht bereits auf deiner Green List stehen).	● abgedunkelt ● hell	Auf der Suche Bonded
3 Klicks	Stummschaltung Erneut ausführen, um die Stummschaltung aufzuheben. Jeder Click-Befehl hebt zuerst die Stummschaltung auf und führt dann seine Funktion aus.	●, ● oder ● langsam blinkend	Stummgeschaltet
4 Klicks	Red Mode Wenn du zwei oder mehrere Sender auf deiner Green List hast; aktiviere den gewünschten, die Wiedergabe erfolgt automatisch.	● abgedunkelt ● hell	Auf der Suche Bonded
6 Klicks	Werksreset Green List löschen. Beginne neu!	● blinkend	Reset erfolgt
Während des Einschaltens gedrückt halten	Receiver-Cluster bilden: <ol style="list-style-type: none"> 1. Alle Sender und Receiver ausschalten. 2. Master-Receiver einschalten, während seine Bond-Taste gedrückt gehalten wird – Taste gedrückt halten, bis die Anzeige rot zu blinken beginnt. 3. Wenn sich die übrigen Receiver innerhalb von 3 Metern vom Master-Receiver befinden: Schalte den ersten ein und warte, bis seine Anzeige rot blinkt; fahre anschließend mit dem zweiten und allen nachfolgenden fort, bis sämtliche Receiver eingeschaltet sind. 4. Sobald alle Anzeigen aufhören zu blinken (durchgehend rot leuchten), schalte alle Receiver aus. 	● blinkend ● hell	Receiver ist in den Cluster-Up-Modus gewechselt. Der Cluster wurde erfolgreich erstellt.



Die 'SKAA kompatibel' -Plakette auf dem Produkt bestätigt, dass es getestet wurde, alle Anforderungen des SKAA-Standards vollständig erfüllt und die SKAA-Zertifizierung erhalten hat. Dieses Produkt arbeitet nahtlos mit anderen Produkten in der SKAA-Umgebung von Audio-Sende- und -Empfangsgeräten zusammen. Weitere Informationen zum SKAA-Standard findest du unter www.SKAA.com. Der Name SKAA® sowie die zugehörigen Marken, Logos und Symbole sind Marken- oder eingetragene Warenzeichen von Eleven Engineering Incorporated.



2. BATTERYBOKS & Ladegerät // 2.2 Laden der BATTERYBOKS

Wie im Abschnitt ERSTE SCHRITTE erwähnt, muss die BATTERYBOKS vor dem ersten Gebrauch 3,5 Stunden lang aufgeladen werden. Denk daran, den Akku nach vollständiger Aufladung vom Stromnetz zu trennen und ihn nie länger als jeweils 6 Stunden aufzuladen, da er andernfalls beschädigt werden kann. Hier sind die zwei Möglichkeiten, deine BATTERYBOKS aufzuladen:

Lade den Akku außerhalb der SOUNDBOKS Go auf

Verbinde den BATTERYBOKS DC-Stecker mit dem DC-Eingang des Ladegeräts und stecke dessen Netzstecker in die Steckdose.

Aufladen des Akkus, während er sich in der SOUNDBOKS Go befindet

Schiebe die BATTERYBOKS in das Akkufach an der Rückseite der SOUNDBOKS Go. Stecke nach dem Einsetzen den DC-Stecker des Akkus in den DC-Eingang oben im Batteriefach. Verbinde dann den DC-Eingang deines Ladegeräts mit dem DC-Stecker deiner BATTERYBOKS.

WICHTIG

Bitte beachte, dass du deine SOUNDBOKS Go weiterhin verwenden kannst, wenn sowohl die BATTERYBOKS als auch das Ladegerät angeschlossen sind. Verwende die SOUNDBOKS Go niemals ohne BATTERYBOKS, d. h. durch direktes Anschließen des Ladegeräts an die SOUNDBOKS Go.

2. BATTERYBOKS & Ladegerät // 2.3 Garantieinformationen

Wir bei SOUNDBOKS (Soundboks ApS und Soundboks, Inc.) können uns echt gut vorstellen, dass du jetzt endlich mit deiner SOUNDBOKS losziehen und Stufe 11 ausprobieren willst. Allerdings meinen so ein paar Anwälte, dass du erst diesen extrem interessanten Text lesen solltest, bevor du damit deine Freunde neidisch machst. Da drin geht um den ganzen spaßigen Rechtskram rund um deine funkelneue SOUNDBOKS. Es ist wahrscheinlich nicht das Spannendste, was du je gelesen hast, aber es wäre echt gut, wenn du es dir einmal durchliest. Danach kannst du deine Umgebung nach Lust und Laune beschallen! DURCH DIESE EINGESCHRÄNKTE GARANTIE HAST DU BESTIMMTE RECHTE, NEBEN ANDEREN RECHTEN, DIE DU ABHÄNGIG VON DEINEM WOHNORT HAST. WIR BESCHRÄNKEN DIE DAUER UND RECHTSMITTEL ALLER STILLSCHWEIGENDEN GEWÄHRLEISTUNGEN, EINSCHLIESSLICH DER GEWÄHRLEISTUNG DER MARKTGÄNGIGKEIT UND EIGNUNG FÜR EINEN BESTIMMTEN ZWECK, AUF DIE DAUER DIESER AUSDRÜCKLICHEN EINGESCHRÄNKTEN GARANTIE. IN MANCHEN US-BUNDESSTAATEN DARF DIE DAUER EINER STILLSCHWEIGENDEN GEWÄHRLEISTUNG NICHT BEGRENZT WERDEN, WESHALB DIE OBENGENANNT BEGRENZUNG FÜR DICH MÖGLICHERWEISE NICHT GILT.

TECHNISCHE DATEN – BATTERYBOKS

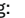
Li-Ionen-Akku
7.8Ah | 12.8V
99.84Wh
LiFePO4
4IFP6/65/134-2

Ausgang: **12.8V**  **7.8A**



Der Akku entspricht den Bestimmungen des UN-Handbuchs der Prüfungen und Kriterien, Teil III, Unterabschnitt 38.3 // P/N BB3 - C29
BATTERYBOKS

TECHNISCHE DATEN – CHARGER

Ausgang: **100–240V ~ 50–60Hz, 1.2A MAX**
Eingang: **14V**  **3.3A**



Verwenden Sie ausschließlich das SOUNDBOKS Netzteil: KA4802A-1403300P Shenzhen Keyu Power Supply Technology Co., Ltd

Es besteht Feuer- oder Explosionsgefahr, wenn eine Batterie des falschen Typs eingesetzt wird.

Die Entsorgung einer Batterie in einem Feuer oder heißem Ofen oder die mechanische Beschädigung einer Batterie kann eine Explosion oder einen Brand verursachen.

Das Aufbewahren der Batterie bei sehr hohen Temperaturen kann sowohl eine Explosion oder einen Brand verursachen als auch eine entzündliche Flüssigkeit oder ein zündfähiges Gas freisetzen.

Eine Batterie die einem äußerst geringem Luftdruck ausgesetzt ist, kann sowohl eine Explosion oder einen Brand verursachen als auch eine entzündliche Flüssigkeit oder ein zündfähiges Gas freisetzen.



GARANTIE UND REPARATUR

SOUNDBOKS GARANTIERT („EINGESCHRÄNKTE GARANTIE“), DASS DAS SOUNDBOKS-PRODUKT ZUM ZEITPUNKT DES ERSTERWERBS DURCH DEN ENDBENUTZER (DEN „KUNDEN“ ODER „DICH“) FREI VON MATERIAL- UND VERARBEITUNGSMÄNGELN IST. DIE EINGESCHRÄNKTE GARANTIE FÜR DIE FUNKTIONALITÄT DES SOUNDBOKS-PRODUKTS GILT NUR, WENN DAS PRODUKT IM RAHMEN SEINER BESTIMMUNGSGEMÄSSEN VERWENDUNG UND IN EINER DER UNTENGENANNTEN UMGEBUNGEN GENUTZT WIRD. SIE GILT NICHT FÜR SCHÄDEN, DIE DURCH UNSACHGEMÄSSEN ODER UNVERNÜNFTIGEN GEBRAUCH ODER NICHT GENEHMIGTE REPARATUREN GEMÄSS ABSCHNITT 4 ODER NORMALEN VERSCHLEISS UND ÄUSSERE EINFLÜSSE WIE UNFÄLLE UND ANDERE EREIGNISSE AUSSERHALB UNSERER KONTROLLE ENTSTEHEN.

Diese eingeschränkte Garantie gilt für Kunden, die ein neues SOUNDBOKS-Produkt direkt bei SOUNDBOKS erwerben. Diese eingeschränkte Garantie kann nicht an einen nachfolgenden Käufer oder Benutzer abgetreten oder übertragen werden. Jedes SOUNDBOKS-Produkt, das bei einem autorisierten Einzelhändler gekauft wurde, unterliegt den entsprechenden Garantiebedingungen.

Die eingeschränkte Garantie gilt nur für Ersatz und Reparaturen von SOUNDBOKS-Produkten im Ermessen von SOUNDBOKS und deckt keine diesbezüglichen Kosten für Transport, Demontage oder Montage.

Die eingeschränkte Garantie gilt für ZWEI (2) JAHRE ab ErstkauF des SOUNDBOKS-Produkts durch den Kunden.

Wenn bei SOUNDBOKS während des geltenden Garantiezeitraums ein berechtigter Anspruch bezüglich des Mangels eines SOUNDBOKS-Produkts, das von der SOUNDBOKS-Garantie abgedeckt ist (eine Liste der abgedeckten Produkte finden Sie unter SOUNDBOKS.COM/HELP), eingeht,

- wird SOUNDBOKS nach eigenem Ermessen innerhalb eines angemessenen Zeitraums nach der jeweiligen Mitteilung
- den Mangel durch Verwendung neuer oder aufgearbeiteter Ersatzteile kostenlos beheben oder
- das Produkt austauschen.

Die Reaktionszeit kann von Land zu Land variieren und hängt neben anderen Faktoren von der Verfügbarkeit von Ersatzteilen, Arbeitskräften und Transportmöglichkeiten ab.

UM EINE REPARATUR ZU BEANTRAGEN: GEH AUF SOUNDBOKS.COM/HELP

HAFTUNGSBESCHRÄNKUNG

DIE OBEN BESCHRIEBENEN RECHTSMITTEL SIND BEI VERLETZUNG DIESER EINGESCHRÄNKTEN GARANTIE DEINE EINZIGEN UND AUSSCHLIESSLICHEN RECHTSMITTEL. UNSERE HAFTUNG ÜBERSTEIGT UNTER KEINEN UMSTÄNDEN DEN TATSÄCHLICH VON DIR FÜR DAS FEHLERHAFT PRODUKT BEZAHLTEN BETRAG, UND WIR SIND UNTER KEINEN UMSTÄNDEN DEN TATSÄCHLICH VON DIR FÜR DAS FEHLERHAFT PRODUKT BEZAHLTEN BETRAG, UND WIR SIND UNTER KEINEN UMSTÄNDEN HAFTBAR FÜR FOLGE-, NEBEN- UND SONDERSCHÄDEN ODER SCHADENSERSATZ, OB

DIREKTER ODER INDIREKTER NATUR. IN MANCHEN US-BUNDESSTAATEN DARF DIE HAFTUNG FÜR NEBEN- UND FOLGESCHÄDEN NICHT AUSGESCHLOSSEN ODER EINGESCHRÄNKT WERDEN, WESHALB DIE OBENGENANNTEN EINSCHRÄNKUNGEN UND AUSSCHLÜSSE FÜR DICH GEBEENENFALLS NICHT GELTEN.

KENNZEICHNUNG

Bei der SOUNDBOKS und ihren Akkus handelt es sich um elektrische und elektronische Geräte, weshalb sie mit dem folgenden Symbol gekennzeichnet sind.



Durch die Kennzeichnung müssen die SOUNDBOKS-Produkte die Richtlinie 2012/19/EU des Europäischen Parlaments und des Rates vom 4. Juli 2012 über Elektro- und Elektronik-Altgeräte einhalten (WEEE-Richtlinie). Batterien und Akkus müssen der europäischen Batterierichtlinie 2006/66/EG des Europäischen Parlaments und des Rates vom 6. September 2006 entsprechen. Solche Produkte dürfen nicht im Hausmüll entsorgt werden, sondern sind getrennt zu behandeln. Mehr darüber erfährst du im Abschnitt „VERBRAUCHERINFORMATIONEN“. Schließlich sind unsere Akkus gemäß IEC-Normen im Hinblick auf ihre Kapazität gekennzeichnet. Die Kennzeichnungen zur Kapazität geben die mögliche Leistung des Akkus in bestimmten Situationen an, etwa bei Temperaturschwankungen, beim Laden oder beim Entladen. Diese Kennzeichnungen sind auf dem Produkt selbst sichtbar.

Bei der SOUNDBOKS und ihren Akkus handelt es sich um elektrische und elektronische Geräte, weshalb sie mit dem folgenden Symbol gekennzeichnet sind. Durch die Kennzeichnung müssen die SOUNDBOKS-Produkte die Richtlinie 2012/19/EU des Europäischen Parlaments und des Rates vom 4. Juli 2012 über Elektro- und Elektronik-Altgeräte einhalten (WEEE-Richtlinie). Batterien und Akkus müssen der europäischen Batterierichtlinie 2006/66/EG des Europäischen Parlaments und des Rates vom 6. September 2006 entsprechen. Solche Produkte dürfen nicht im Hausmüll entsorgt werden, sondern sind getrennt zu behandeln. Mehr darüber erfährst du im Abschnitt „VERBRAUCHERINFORMATIONEN“. Schließlich sind unsere Akkus gemäß IEC-Normen im Hinblick auf ihre Kapazität gekennzeichnet. Die Kennzeichnungen zur Kapazität geben die mögliche Leistung des Akkus in bestimmten Situationen an, etwa bei Temperaturschwankungen, beim Laden oder beim Entladen. Diese Kennzeichnungen sind auf dem Produkt selbst sichtbar.

VERBRAUCHERINFORMATIONEN

Akkus enthalten Stoffe, die bei unsachgemäßer Handhabung gesundheits- und umweltschädigend sein können. Akkus, die nicht in den Lautsprecher integriert und mit einem Symbol gekennzeichnet sind,





dürfen nicht über den Hausmüll entsorgt werden. Sie müssen getrennt entsorgt werden. Lautsprecher und eingebaute Akkus sind elektrische und elektronische Geräte. Deshalb enthalten sie Materialien, Bauteile und Stoffe, die bei unsachgemäßer Entsorgung gesundheits- und umweltgefährdend sein können. Es ist wichtig, dass du als Endbenutzer diese gebrauchten Akkus sowie elektrische und elektronischen Geräte bei einer zugelassenen Wertstoffsammelstelle entsorgst. Auf diese Weise trägst du dazu bei, dass die Geräte gesetzeskonform und umweltschonend recycelt werden. In jeder Gemeinde gibt es Wertstoffhöfe, wo du Elektroaltgeräte und herausnehmbare Akkus abgeben kannst. Mancherorts ist eine Abholung zu Hause möglich. Mehr darüber erfährst du von den entsprechenden Ämtern deiner Gemeinde.

HAFTUNGSAUSSCHLUSS

SOUNDBOKS bzw. seine Angestellten, verbundenen Unternehmen, sein Vorstand, seine Eigentümer oder Drittlieferanten sind (mit Ausnahme von durch diese eingeschränkte Garantie abgedeckten Fällen und soweit gesetzlich vorgesehen) unter keinen Umständen haftbar für Schäden einschließlich direkte, indirekte, Sonder-, zufällige oder Folgeschäden, finanzielle Verluste, Personenschäden und Vermögensverluste, unabhängig davon, ob diese auf der Grundlage von Verträgen, unerlaubter Handlung oder einer anderen Rechtstheorie durch unachtsame, falsche und unzweckmäßige Verwendung des Produkts verursacht wurden.

SOUNDBOKS muss im Zusammenhang mit dem Vorgenannten besonders darauf hinweisen, dass die folgenden Handlungen SOUNDBOKS von jeglicher Verantwortung freistellen:

- Die Akkus werden falsch in den Lautsprecher eingesteckt
- Das SOUNDBOKS-Produkt wird über längere Zeit Regen, Schnee oder anderen Formen von Niederschlag ausgesetzt
- Ein Teil des SOUNDBOKS-Produkts wird in eine Flüssigkeit getaucht
- Die SOUNDBOKS-Produkte werden nicht für die vorgesehenen Zwecke genutzt
- Es werden andere Ladegeräte als die von SOUNDBOKS produzierten und bereitgestellten genutzt
- Es werden andere Akkus als die von SOUNDBOKS produzierten und bereitgestellten genutzt
- Teile des SOUNDBOKS-Produkts werden unerlaubterweise modifiziert (zu einem anderen Zweck umfunktioniert; Ausnahme: Abnehmen und Anpassen des SOUNDBOKS-Grills mithilfe des mitgelieferten Sechskantschlüssels)

WARENZEICHEN

Namen und Logos in diesem Benutzerhandbuch bzw. auf den Produktverpackungen sind Handelsmarken von SOUNDBOKS. Sie dürfen ohne Genehmigung von SOUNDBOKS nicht kopiert oder anderweitig verwendet werden.

COMPLIANCE

Hiermit erklärt SOUNDBOKS ApS, dass diese SOUNDBOKS den grundlegenden Anforderungen der folgenden EU-Richtlinien entspricht:

EU-Niederspannungsrichtlinie 2014/35/EU; EU-EMV-Richtlinie 2014/30/EU; EU-Funkanlagenrichtlinie (RED) 2014/53/EU; EU-Ökodesign-Richtlinie 2009/125/EG; EU-WEEE-Richtlinie 2012/19/EU; EU-RoHS2-Richtlinie 2011/65/EU; Richtlinie 2006/121/EG der Europäischen Union zur Registrierung, Bewertung, Zulassung und Beschränkung von Chemikalien (REACH); Dieses Produkt enthält Akkus, die unter die EU-Verordnung 2006/66/EG fallen und nicht im gewöhnlichen Hausmüll entsorgt werden können. Bitte befolge die örtlichen Vorschriften. Du kannst eine kostenlose Kopie der Konformitätserklärung von deinem Händler, Vertriebspartner oder dem globalen Hauptsitz von SOUNDBOKS ApS beziehen. Die nötigen Kontaktinformationen findest du hier: www.SOUNDBOKS.com

Dieses Gerät entspricht Teil 15 der Bestimmungen der Federal Communications Commission (US-Behörde). Damit das Gerät betrieben werden kann, müssen zwei Voraussetzungen erfüllt sein:

- (1) Dieses Gerät darf keine gefährlichen Interferenzen verursachen und
- (2) muss alle empfangenen Interferenzen aufnehmen, einschließlich solcher, die den Betrieb des Geräts beeinträchtigen.

Dieses Gerät wird auf Grundlage von Prüfungen als digitales Gerät Klasse B gemäß Teil 15 FCC eingestuft. Diese Grenzwerte sollen ausreichend Schutz vor gefährlichen Interferenzen in Wohnanlagen bieten. Das Gerät erzeugt und nutzt Radiofrequenzen. Wird es nicht gemäß der Anleitung aufgestellt und betrieben, kann das zu gefährlichen Interferenzen bei der Funkkommunikation führen. Allerdings besteht keine Garantie bezüglich des Nichtauftretens von Interferenzen in bestimmten Anlagen. Treten beim Empfang von Radio- oder TV-Signalen gefährliche Interferenzen auf, lässt sich durch Ein- und Ausschalten des SOUNDBOKS-Geräts feststellen, ob es die Ursache dafür ist. Trifft dies zu, kann der Benutzer durch folgende Schritte versuchen, diese Interferenzen zu beseitigen:

- Die Antenne neu ausrichten oder woanders platzieren.
- Den Abstand zwischen dem Gerät und dem Empfänger vergrößern
- Das Gerät an einer anderen Steckdose anschließen, die nicht am selben Stromkreis anliegt wie der Empfänger.
- Den Händler oder einen erfahrenen Funk-/Fernsehtechniker um Hilfe fragen.

VORSICHT:

Jegliche Änderungen oder Modifikationen, die nicht ausdrücklich vom Garantiegeber dieses Geräts genehmigt wurden, können dazu führen, dass der Benutzer die Berechtigung zum Betrieb des Geräts verliert.

Warnhinweis zu Hochfrequenz-Belastungen

Das Gerät muss gemäß der bereitgestellten Anleitung aufgestellt und betrieben werden. Die für diesen Sender genutzte(n) Antenne(n) müssen so montiert werden, dass ein Mindestabstand von 20 cm zu Personen





eingehalten werden kann. Sie dürfen sich nicht am selben Ort wie andere Antennen oder Sender befinden oder in Verbindung mit solchen betrieben werden. Endbenutzer und aufstellende Personen/Monteur müssen die Anweisungen zur Installation der Antenne und die Betriebsbedingungen des Senders hinsichtlich einer Einhaltung der Vorschriften zur Hochfrequenz-Belastung zur Verfügung gestellt bekommen.

ICCS-Erklärung (Industry Canada Compliance Statement, nur für Kanada):

Dieses Gerät enthält lizenzbefreite Sender/Empfänger, die den Radio Standards Specification(s) (RSS) der Behörde Innovation, Science and Economic Development Canada entsprechen. Damit das Gerät betrieben werden kann, müssen zwei Voraussetzungen erfüllt sein:

- (1) Dieses Gerät darf keine Interferenzen verursachen.
- (2) Dieses Gerät muss alle Interferenzen empfangen, einschließlich solcher, die seinen Betrieb beeinträchtigen.

Informationen zur Hochfrequenz (RF)-Belastung

Die Ausgangsleistung des kabellosen Gerätes liegt unterhalb der von Innovation, Science and Economic Development Canada für eine Hochfrequenz-Belastung festgelegten Grenzwerte. Das kabellose Gerät ist so zu verwenden, dass die Möglichkeit menschlichen Kontakts während des normalen Betriebs minimiert wird. Dieses Gerät wurde darüber hinaus bewertet und erfüllt die ISED-Grenzwerte für eine HF-Belastung unter mobilen Expositionsbedingungen (Antennen sind mehr als 20 cm vom Körper einer Person entfernt).

WARNUNG, VORSICHT & HINWEIS

! WARNUNG

Das Wort WARNUNG weist auf Gefahren hin, die ggf. zum Tod oder schweren Verletzungen führen können.

! VORSICHT

Das Wort VORSICHT weist auf Gefahren hin, die ggf. zu leichten bis mittelschweren Verletzungen führen können.

HINWEIS

Das Wort HINWEIS betrifft Vorgänge, die nicht in Zusammenhang mit einer körperlichen Verletzungsgefahr stehen. Deine SOUNDBOKS ist so designt, dass sie hart im Nehmen, tragbar und laut ist. Damit du lange Spaß mit deinem Lautsprecher hast und dein Equipment gut geschützt ist, empfehlen wir dir, dieses Handbuch aufmerksam durchzulesen und die Warnhinweise zu beachten:

! WARNUNG

- Das ist ein Lautsprecher für draußen. Er ist extrem laut. Sei vorsichtig, wenn du unmittelbar vor dem aktiven Lautsprecher oder in seiner Nähe stehst – du riskierst einen Gehörschaden.
- Um das Risiko von Stromschlägen oder Produktschäden zu vermeiden, lade die SOUNDBOKS ausschließlich mit dem dafür vorgesehen Ladegerät auf (z. B. mit dem, das im Lieferumfang des Lautsprechers enthalten war).
- Bei ersten Anzeichen von Schäden, zum Beispiel geschmolzenem Plastik, ungewöhnlich hohen Temperaturen oder aus dem Lautsprecher kommenden Gerüchen musst du das Gerät sofort ausschalten. Wende dich anschließend direkt an SOUNDBOKS unter info@soundboks.com.
- Lies auch unbedingt die beiliegenden Warnhinweise und Anweisungen für das Ladekabel.
- Unsachgemäßer Umgang mit wiederaufladbaren Akkus kann zu Feuer oder Explosionen führen.
- Halte den Akku fern von Büroklammern, Münzen, Schlüsseln, Schrauben und anderen metallischen Gegenständen, die zu einem Kurzschluss der Kontakte führen könnten. Ein Kurzschluss durch überbrückte Kontakte des Akkus kann zu Verbrennungen oder Bränden führen.
- Das ist ein Lautsprecher für draußen. Er ist extrem laut. Sei vorsichtig, wenn du unmittelbar vor dem aktiven Lautsprecher oder in seiner Nähe stehst – du riskierst einen Gehörschaden.
- Um das Risiko von Stromschlägen oder Produktschäden zu vermeiden, lade die SOUNDBOKS ausschließlich mit dem dafür vorgesehen Ladegerät auf (z. B. mit dem, das im Lieferumfang des Lautsprechers enthalten war).
- Bei ersten Anzeichen von Schäden, zum Beispiel geschmolzenem Plastik, ungewöhnlich hohen Temperaturen oder aus dem Lautsprecher kommenden Gerüchen musst du das Gerät sofort ausschalten. Wende dich anschließend direkt an SOUNDBOKS unter info@soundboks.com.
- Lies auch unbedingt die beiliegenden Warnhinweise und Anweisungen für das Ladekabel.
- Unsachgemäßer Umgang mit wiederaufladbaren Akkus kann zu Feuer oder Explosionen führen.
- Halte den Akku fern von Büroklammern, Münzen, Schlüsseln, Schrauben und anderen metallischen Gegenständen, die zu einem Kurzschluss der Kontakte führen könnten. Ein Kurzschluss durch überbrückte Kontakte des Akkus kann zu Verbrennungen oder Bränden führen.
- Ein normales Autobatterieladegerät ist ungeeignet.
- Trage den Akku niemals an den Polen.
- Vermeide Stöße und plötzliche Belastungen.
- Vermeide elektrostatisches Auf- oder Entladen. Verwende zur Reinigung des Akkus niemals synthetische Tücher oder Schwämme, sondern nur mit Wasser angefeuchtete Tücher ohne Zusätze.
- Bei unsachgemäßem Gebrauch kann ätzende Batteriesäure aus dem Akku austreten. Jeder Kontakt





damit ist zu vermeiden. Bei versehentlichem Kontakt sofort mit viel Wasser abspülen und einen Arzt aufsuchen.

- Das Netzkabel und der Netzadapter sind nur für die Verwendung in Innenräumen vorgesehen.
- Öffne niemals das Gerätegehäuse. Reparaturen dürfen nur von einem autorisierten Fachbetrieb durchgeführt werden. Dabei dürfen nur Teile verwendet werden, die den ursprünglichen Gerätedaten entsprechen.
- Benutze nur die vom Hersteller empfohlenen Zubehörteile.
- Falls Wasser oder Schmutz in das Gehäuse eindringt, zieh sofort den Hauptstecker und nimm den Akku heraus. Wende dich dann an unseren Kundendienst unter *info@soundboks.com* oder *SOUNDBOKS.COM/HELP*.
- Wenn Rauch aus dem Gerät kommt, es verbrannt riecht oder komische Geräusche macht, trenne es sofort von der Stromversorgung oder dem Akku und verwende es nicht weiter.
- Nimm niemals Änderungen am Gerät vor. Nicht genehmigte Änderungen sind ein Sicherheitsrisiko, können die Funktionalität beeinträchtigen und machen die Garantie ungültig.
- Um das Verletzungsrisiko durch Umkippen zu verringern, stelle das Gerät immer auf eine stabile Oberfläche. Stelle den SOUNDBOKS-Lautsprecher nicht an Stellen auf, wo er umfallen und jemanden verletzen könnte.
- Eine instabile Basis kann dazu führen, dass das Gerät umkippt und eine Person verletzt oder sogar tötet. Kinder sind besonders gefährdet. Durch folgende Vorsichtsmaßnahmen kannst du die meisten Unfälle verhindern:
- * Verwende den SOUNDBOKS-Lautsprecher bei unzureichender Befestigung nicht in Fahrzeugen, an instabilen Standorten, auf wackeligen Stativen oder Möbeln oder mit unzureichenden Halterungen usw.
- * Positioniere den SOUNDBOKS-Lautsprecher so, dass er nicht versehentlich umgestoßen werden kann, und stelle sicher, dass die Kabel keine Stolpergefahr darstellen.
- Stelle auch wenn du die SOUNDBOKS lagerst sicher, dass sie nicht umkippen kann.
- Lasse niemals Kinder unbeaufsichtigt elektrische Geräte benutzen.
- Dieses Produkt enthält eine Chemikalie, die im Bundesstaat Kalifornien als potenziell Geburtsfehler oder andere Fortpflanzungsschäden verursachend gilt.

! VORSICHT

Ein längeres Hören bei hohen Lautstärken kann zu Hörverlust führen. Vermeide längeres Hören bei hohen Lautstärken, du riskierst dadurch Gesundheitsschäden.

HINWEIS

- Grober Fehlgebrauch und falsche Pflege sind die Hauptgründe für Schäden an Hochleistungsakkus.
- Vermeide eine Tiefenentladung von unter 20 % zur Aufrechterhaltung einer optimalen Akkuleistung.
 - Lade deinen Akku häufig wieder auf.
 - Bewahre deinen Akku an einem kühlen, frostsicheren Ort auf, idealerweise bei 15 °C. Höhere Temperaturen führen zu einer höheren Selbstentladungsrate und verkürzen die Intervalle zwischen den Aufladungen.
 - Setze den Akku nicht direktem Sonnenlicht oder anderen Wärmequellen aus.
 - Eine Tiefenentladung schädigt die Akkuzellen. Die häufigste Ursache für eine Tiefentladung ist eine längere Lagerung oder die Nichtbenutzung eines teilentladenen Akkus. Lagere den Akku nur, nachdem du ihn voll aufgeladen hast.
 - Wenn das SOUNDBOKS-Produkt in kaltem Zustand (z. B. nach Transporten) in einen warmen Bereich kommt, kommt es im Innern des Geräts möglicherweise zur Kondensation. Warte in solchen Fällen mindestens zwei Stunden, bevor du das SOUNDBOKS-Produkt anschließt und benutzt.
 - Wende dich unbedingt an SOUNDBOKS, wenn du irgendwelche Bedenken hast oder schmelzenden Kunststoff oder Gerüche bemerkst, die von deinem SOUNDBOKS-Produkt ausgehen.
 - Stelle keine offenen Feuerquellen wie brennende Kerzen oder Ähnliches auf den SOUNDBOKS-Lautsprecher.
 - Platziere die SOUNDBOKS-Produkte nicht in der Nähe von Wärmequellen (z. B. Heizungen, Öfen).
 - Sorge für ausreichende Belüftung.
 - Decke die Lüftungsschlitze nicht mit Vorhängen, Decken, Postern oder Ähnlichem ab. Durch im Innern des SOUNDBOKS-Produkts angestaute Wärme kann sich die Lebensdauer verkürzen.
 - Wenn das SOUNDBOKS-Produkt für längere Zeit unbeaufsichtigt ist (z. B. bei Urlauben), schalte es aus und trenne es vom Stromnetz. Lagere das SOUNDBOKS-Produkt an einem sauberen, trockenen und geschützten Ort.

Einige unserer Produkte haben eine Kennzeichnung für die chemischen Elemente Hg (Quecksilber), Cd (Cadmium) oder Pb (Blei). Dies sind besonders gefährliche Stoffe. Es ist wichtig, dass sie vom normalen Hausmüll getrennt und in einem Recyclingzentrum entsorgt werden. Wenn der Akku einen oder mehrere dieser gefährlichen Stoffe enthält, ist er unter dem oben abgebildeten Piktogramm entsprechend gekennzeichnet.

3. Verwendungszweck

Dieses Produkt ist ein Lautsprecher zum Abspielen von Musik und Ton in Verbindung mit einem Musikgerät wie einem Smartphone, Tablet oder anderen kompatiblen Geräten. Dieses Produkt darf nicht für andere Zwecke verwendet werden. Jede andere Verwendung oder eine Benutzung unter anderen Betriebsbedingungen gilt als unsachgemäß und kann zu Personen- oder Sachschäden führen. Für Schäden, die durch unsachgemäße Verwendung entstehen, wird keine Haftung übernommen.





4. Sicherheitswarnungen

WARNUNG

WARNUNG weist auf eine gefährliche Situation hin, die ggf. zum Tod oder schweren Verletzungen führen kann.

VORSICHT

VORSICHT weist auf eine gefährliche Situation hin, die ggf. zu leichten oder mittelschweren Verletzungen führen kann.

HINWEIS

HINWEIS weist auf Praktiken hin, bei denen keine Gefahr körperlicher Verletzungen besteht.

WARNUNG

- Betreibe deine SOUNDBOKS Go nur mit von SOUNDBOKS gelieferten Stromquellen. Jede Stromquelle über 12 V kann das Produkt schwer beschädigen.
 - Verwende das Gerät immer auf stabilem Untergrund, um das Verletzungsrisiko durch Umkippen zu minimieren. Stelle die SOUNDBOKS Go nicht dort auf, wo sie herunterfallen und jemanden verletzen könnte.
 - Dies ist ein Außenlautsprecher. Er ist extrem laut. Sei vorsichtig, wenn du bei laufender Musik vor oder in der Nähe des Lautsprechers stehst, da die Gefahr von Hörschäden besteht.
 - Verwende die SOUNDBOKS Go immer mit dem zugelassenen Ladegerät (siehe Lieferumfang), um das Risiko von Stromschlägen oder Beschädigungen des Produkts zu vermeiden. Bei Anzeichen auf mögliche Schäden wie geschmolzener Kunststoff, ungewöhnlich hohe Temperaturen oder Gerüche aus dem Lautsprecher, wende dich unverzüglich an SOUNDBOKS via info@SOUNDBOKS.com.
 - Lies unbedingt die beiliegenden Warnungen und Anweisungen für das Ladekabel.
 - Der unsachgemäße Umgang mit wiederaufladbaren Akkus kann zu Feuer oder Explosion führen.
 - Halte den Akku von Büroklammern, Münzen, Schlüsseln, Schrauben oder anderen metallischen Gegenständen fern, die die Kontakte überbrücken könnten. Kurzschlüsse durch überbrückte Akkukontakte können zu Verbrennungen oder Feuer führen.
 - Die Verwendung eines normalen Autobatterieladegeräts ist unzulässig.
 - Trage den Akku niemals an seinen Polen.
 - Vermeide Stöße und plötzliche Belastungen.
 - Vermeide elektrostatische Auf- oder Entladung. Verwende niemals synthetische Tücher oder Schwämme, um den Akku zu reinigen. Benutze stattdessen ein mit Wasser angefeuchtetes Tuch ohne Zusatzstoffe.
- Bei unsachgemäßer Verwendung kann ätzende

Batteriesäure aus dem wiederaufladbaren Akku austreten. Jeglicher Kontakt damit ist zu vermeiden. Bei versehentlichem Kontakt sofort mit reichlich Wasser abspülen und einen Arzt konsultieren.

Das Netzkabel und der Netzadapter sind nur für den Gebrauch in Innenräumen bestimmt.

NIEMALS DAS GERÄTEGEHÄUSE ÖFFNEN

Reparaturen dürfen nur von einer autorisierten Fachwerkstatt durchgeführt werden. Dabei dürfen nur Teile verwendet werden, die den ursprünglichen Gerätespezifikationen entsprechen.

Verwende nur die vom Hersteller angegebenen Zubehörprodukte.

Wenn Wasser oder Schmutz in das Produktgehäuse eindringen, ziehe sofort den Hauptstecker und entferne den Akku. Kontaktiere anschließend unseren Kundenservice unter info@SOUNDBOKS.com oder [SOUNDBOKS.com/help](https://www.SOUNDBOKS.com/help).

Wenn Rauch aus dem Gerät austritt, es verbrannt riecht oder ungewöhnliche Geräusche macht, trenne es sofort vom Stromnetz oder dem Akku und stelle die Benutzung ein.

JEDWEDE MODIFIKATION DES GERÄTS IST ZU UNTERLASSEN

Nicht autorisierte Eingriffe können die Sicherheit und Funktionalität beeinträchtigen.

Eine instabile Basis kann zum Kippen des Gerätes führen und Personen verletzen oder sogar töten.

Kinder sind hierbei besonders gefährdet. Eine große Anzahl von Unfällen kann durch folgende Vorsichtsmaßnahmen verhindert werden:

- Wenn die SOUNDBOKS Go nicht fest montiert ist, verwende sie nicht in Fahrzeugen, an instabilen Orten, auf wackeligen Stativen oder Möbeln usw.
- Stelle die SOUNDBOKS Go so auf, dass sie nicht versehentlich umgeworfen werden kann, und Sorge dafür, dass die Kabel keine Stolpergefahr darstellen.
- Sorge bei der Aufbewahrung der SOUNDBOKS Go für sicheren Stand und dafür, dass sie nicht umfallen oder umgestoßen werden kann.
- Lasse Kinder niemals unbeaufsichtigt elektrische Geräte bedienen.
- Dieses Produkt enthält eine Chemikalie, die im Staat Kalifornien als Geburtsfehler oder andere Fortpflanzungsschäden verursachend gilt.

VORSICHT

- Ein längeres Hören bei hohen Lautstärken kann zu Hörverlust führen. Vermeide längeres Hören bei hohen Lautstärken, um Gesundheitsschäden vorzubeugen.

HINWEIS

Grober Missbrauch und falsche Pflege sind die Hauptgründe für Schäden an wiederaufladbaren Hochleistungsakkus.

- Vermeide eine Tiefenentladung von unter 20 %, um eine optimale Akkuleistung aufrechtzuerhalten.
- Lade deinen Akku regelmäßig auf.
- Bewahre deinen Akku an einem kühlen, aber frostfreien Ort auf, idealerweise bei 15 °C/59





- °F. Höhere Temperaturen haben eine stärkere Selbstentladung zur Folge und verkürzen die Intervalle zwischen den Ladevorgängen.
 - Setze den Akku weder direktem Sonnenlicht noch anderen Wärme- oder Wasserquellen oder sonstigen Flüssigkeiten aus.
 - Eine Tiefenentladung beschädigt die Zellen des Akkus. Die häufigste Ursache für eine Tiefenentladung ist eine längere Lagerung oder die Verwendung eines teilweise entladenen Akkus. Lagere den Akku erst, wenn er vollständig aufgeladen ist.
 - Wenn die SOUNDBOKS Go aus kalten Temperaturen in eine wärmere Umgebung kommt (z. B. nach dem Transport), kann sich im Inneren Kondenswasser bilden. Warte in diesem Fall mindestens 2 Stunden, bevor du die SOUNDBOKS Go verbindest und aktivierst.
 - Wende dich an SOUNDBOKS Go, wenn du Bedenken hast oder schmelzenden Kunststoff oder Gerüche aus deiner SOUNDBOKS Go bemerkst.
 - Platziere keine offenen Feuerquellen wie brennende Kerzen oder Ähnliches auf der SOUNDBOKS Go.
 - Stelle die SOUNDBOKS Go nicht in der Nähe von Wärmequellen (z. B. Heizungen, Öfen) auf.
 - Wenn die SOUNDBOKS Go längere Zeit unbeaufsichtigt bleiben soll (z. B. während des Urlaubs), schalte das Gerät aus und trenne es vom Stromnetz. Bewahre deine SOUNDBOKS Go an einem sauberen, trockenen und geschützten Ort auf.
- Einige unserer Produkte sind mit den chemischen Kürzeln Hg (Quecksilber), Cd (Cadmium) oder Pb (Blei) gekennzeichnet. Dies sind besonders gefährliche Stoffe. Sie dürfen nicht im normalen Hausmüll landen und müssen in einem Recyclingzentrum entsorgt werden. Wenn der Akku eine oder mehrere dieser gefährlichen Substanzen enthält, ist dieses unter dem oben gezeigten Piktogramm angegeben.

5. Informationen Zur Entsorgung

Dieses SOUNDBOKS-Produkt ist ein elektronisches Gerät und wird daher mit dem folgenden EU-relevanten Piktogramm gekennzeichnet.



Diese Kennzeichnung bedeutet, dass die SOUNDBOKS-Produkte der Richtlinie 2012/19/EG des Europäischen Parlaments und des Rates vom 4. Juli 2012 über Elektro- und Elektronik-Altgeräte (WEEE-Richtlinie) entsprechen müssen. Solche Produkte dürfen nicht im unsortiertem Hausmüll entsorgt, sondern müssen getrennt behandelt werden. Befindest du dich außerhalb der EU, beachte bitte, dass es sich bei diesem SOUNDBOKS-Produkt um ein elektronisches Gerät handelt. Solche Geräte enthalten Materialien, Komponenten und Substanzen, die für die menschliche Gesundheit und Umwelt potenziell schädlich sind, sofern der Abfall

nicht ordnungsgemäß behandelt wird. Entsorge Geräte nur gemäß den lokalen Gesetzen und bei etablierten Recyclingdienstleistern. Die Produktverpackung ist mit dem Recycling-Symbol gekennzeichnet. Als Endverbraucher musst du die Entsorgung der Verpackung über einen etablierten Recyclingdienstleister vornehmen. Auf diese Weise wird das Material umweltgerecht und in Übereinstimmung mit dem Gesetz recycelt.

6. Garantie und Service

DIE ALLGEMEINEN GESCHÄFTSBEDINGUNGEN FÜR DEN KAUF DER SOUNDBOKS-PRODUKTE SPEZIFIZIEREN DIE GARANTIEBEDINGUNGEN HINSICHTLICH FEHLERN UND KONFORMITÄT UND EINER ETWAIGEN ZUSÄTZLICH VON SOUNDBOKS GEWÄHRTEN GEWERBLICHEN GARANTIE. DIE ALLGEMEINEN GESCHÄFTSBEDINGUNGEN FÜR ENDVERBRAUCHER (B2C) UND FÜR GEWERBLICHE KÄUFER (B2B) KÖNNEN UNTER (LINK/URL) EINGEGEHEN WERDEN. SPEZIFISCHE GESCHÄFTSBEDINGUNGEN GELTEN FÜR DEN FALL, DASS DAS PRODUKT IM RAHMEN VON VERMIETUNGEN VERWENDET WIRD. DIE RECHTE IM RAHMEN DER ENTSPRECHENDEN GEWÄHRLEISTUNGEN, IHRE BEDINGUNGEN, EINSCHRÄNKUNGEN UND RECHTSBEHELFE SIND IN DIESEN GESCHÄFTSBEDINGUNGEN FESTGELEGT. WIR EMPFEHLEN DIR, UNSERE ALLGEMEINEN GESCHÄFTSBEDINGUNGEN ZU LESEN. VERBRAUCHER MIT WOHNSITZ IN DER EU WERDEN AUF IHR RECHT AUF EINE GESETZLICHE GARANTIE HINGEWIESEN. Wie du einen Garantieservice oder -anspruch geltend machen kannst:

In Europa: Kontaktiere SOUNDBOKS ApS, Esromgade 15, 2200 Kopenhagen N, Dänemark, CVR-Nr. 36457597, Telefon: +45 78 75 03 06;

E-Mail: info@SOUNDBOKS.com.

Wende dich an den Serviceprovider, und befolge die von ihm bezeichneten Verfahren.

In den USA und Kanada: Kontaktiere SOUNDBOKS INC, 1725 Berkeley Street, Santa Monica, CA 90404, USA, Telefon: +1 (310) 774-0480;

E-Mail: info@SOUNDBOKS.com.

Wende dich an den Serviceprovider, und befolge die von ihm bezeichneten Verfahren.

7. Haftungsbeschränkung

DIE IN UNSEREN ALLGEMEINEN GESCHÄFTSBEDINGUNGEN BESCHRIEBENEN RECHTSBEHELFE SIND DIE EINZIG UND AUSSCHLIESSLICH ANWENDBAREN IM RAHMEN UNSERER GESAMTEN HAFTUNG FÜR JEDLICHE GEWÄHRLEISTUNGSVERLETZUNG. UNSERE HAFTUNG IST AUF DEN IN UNSEREN ALLGEMEINEN GESCHÄFTSBEDINGUNGEN FESTGELEGTE UMFANG BESCHRÄNKT. WIR EMPFEHLEN DIR, UNSERE ALLGEMEINEN GESCHÄFTSBEDINGUNGEN ZU LESEN. Die Seriennummer deiner SOUNDBOKS Go findest du auf der Innenseite des Akkufachs.





8. Konformität

EU, VEREINIGTES KÖNIGREICH



Hiermit erklärt SOUNDBOKS ApS, Hersteller der SOUNDBOKS Go, dass diese SOUNDBOKS Go mit den grundlegenden Anforderungen und anderen relevanten Bestimmungen der folgenden EU-Konformitätsrichtlinien übereinstimmt.

Entspricht der Niederspannungsrichtlinie 2014/35/EG der Europäischen Union;

EMV-Richtlinie 2014/30/EG der Europäischen Union;

Funkanlagenrichtlinie (RED) 2014/53/EG der Europäischen Union.

Ökodesign-Richtlinie 2009/125/EG der Europäischen Union;

WEEE-Richtlinie 2012/19/EG der Europäischen Union; RoHS2-Richtlinie

2011/65/EG der Europäischen Union;

Richtlinie 2006/121/EG der Europäischen Union

zur Registrierung, Bewertung, Zulassung und Beschränkung chemischer Stoffe (REACH).

Dieses Produkt enthält Akkus, die unter die europäische Batterierichtlinie 2006/66/EG in der durch die Richtlinie 2013/56 geänderten Fassung fallen und nicht mit normalem Hausmüll entsorgt werden dürfen.

Bitte beachte die lokalen Vorschriften. Du bekommst eine kostenlose Kopie der Konformitätserklärung, wenn du dich an deinen Händler, Lieferanten oder den weltweiten Hauptsitz von SOUNDBOKS ApS wendest. Kontaktinformationen findest du hier: www.SOUNDBOKS.com

UNITED STATES

Importeur:

SOUNDBOKS INC

1725 Berkeley Street

Suit 200

Santa Monica, CA 90404, USA

Dieses Gerät entspricht Teil 15 der FCC-Bestimmungen.

Der Betrieb unterliegt den folgenden zwei Bedingungen:

- Dieses Gerät darf keine schädlichen Interferenzen verursachen,
- und dieses Gerät muss alle empfangenen Interferenzen akzeptieren, einschließlich Interferenzen, die zu unerwünschtem Betrieb führen können.

Dieses Gerät wurde getestet und entspricht den Grenzwerten für digitale Geräte der Klasse B gemäß Teil 15 der FCC-Bestimmungen. Diese Grenzwerte sollen angemessenen Schutz gegen schädliche Interferenzen in Wohnanlagen bieten.

Dieses Gerät erzeugt und verwendet Hochfrequenzenergie und kann diese abstrahlen.

Wenn es nicht gemäß den Anweisungen installiert und verwendet wird, kann es schädliche Interferenzen im Funkverkehr verursachen. Es kann jedoch nicht garantiert werden, dass bei einer bestimmten Installation keine Interferenzen auftreten.

Wenn dieses Gerät den Radio- oder Fernsehempfang

beeinträchtigt, was durch Aus- und Einschalten des Geräts festgestellt werden kann, kann der Benutzer versuchen, die Interferenzen durch eine oder mehrere der folgenden Maßnahmen zu korrigieren:

- Richte die Empfangsantenne neu aus oder positioniere sie an einem anderen Standort.
- Erhöhe den Abstand zwischen Gerät und Empfänger.
- Nutze für das Gerät die Steckdose eines Stromkreises, der sich von dem Stromkreis unterscheidet, an den der Empfänger angeschlossen ist.
- Wende dich an den Händler oder einen erfahrenen Radio-/Fernsehtechniker.

VORSICHT:

Jegliche Änderungen oder Modifikationen, die nicht ausdrücklich vom Hersteller dieses Geräts genehmigt wurden, können dazu führen, dass der Benutzer die Berechtigung zum Betrieb des Geräts verliert.

Warnung vor HF-Belastung

Dieses Gerät muss gemäß den bereitgestellten Anweisungen installiert und betrieben werden, und die für diesen Sender verwendeten Antennen müssen so eingerichtet werden, dass ein Abstand von mindestens 20 cm zu allen Personen eingehalten wird; sie dürfen nicht zusammen mit einer anderen Antenne oder einem anderen Sender betrieben werden.

Endbenutzer und Installateure müssen Anweisungen zur Installation der Antenne und die Betriebsbedingungen des Senders zur Gewährleistung der Einhaltung der Bestimmungen bezüglich von HF-Belastungen bereitstellen.

KANADA

ICCS-Erklärung (Industry Canada Compliance Statement)

Dieses Gerät enthält lizenzbefreite Sender/Empfänger, die den lizenzbefreiten RSS gemäß Definition der `Innovation, Science and Economic Development Canada` -Behörde entsprechen. Der Betrieb unterliegt den folgenden zwei Bedingungen:

- Dieses Gerät darf keine Interferenzen verursachen,
- und dieses Gerät muss alle Interferenzen akzeptieren, einschließlich Interferenzen, die zu unerwünschtem Gerätebetrieb führen können.

Informationen zur Hochfrequenz- (HF) Belastung

Die abgestrahlte Ausgangsleistung des drahtlosen Geräts liegt unter den Grenzwerten für Hochfrequenzbelastung der `Innovation, Science and Economic Development Canada` -Behörde (ISED). Das drahtlose Gerät ist so zu verwenden, dass das Risiko eines Kontakts mit Menschen während des normalen Betriebs minimiert wird. Dieses Gerät wurde darüber hinaus evaluiert und entspricht den ISED-Grenzwerten für HF-Belastungen unter mobilen Bedingungen (Antennen sind weiter als 20 cm vom Körper einer Person entfernt).



Die Marke und das Logo Bluetooth® sind eingetragene
Markenzeichen von Bluetooth SIG, Inc. Ihre Nutzung
erfolgt gegen Lizenz.



iPhone® ist eine eingetragene Marke von Apple, Inc.
Android™ ist eine Marke von Google, Inc.

9. Schlussbemerkungen

Wir hoffen, dass du mit deinem SOUNDBOKS Go-
Produkt eine großartige Zeit haben wirst. Bitte wende
dich an uns, wenn du Fragen, Ideen oder sonstige
Anliegen hast. Wir freuen uns auf ein Gespräch mit dir!

Geschäftsadresse:

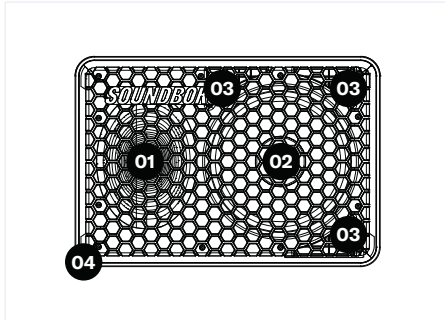
SOUNDBOKS Inc.
2711 Centerville Road,
Suite 400, Wilmington,
New Castle County, Delaware 19808.
United States of America
+1 (310) 774-0480
info@SOUNDBOKS.com

Für den Rest der Welt:

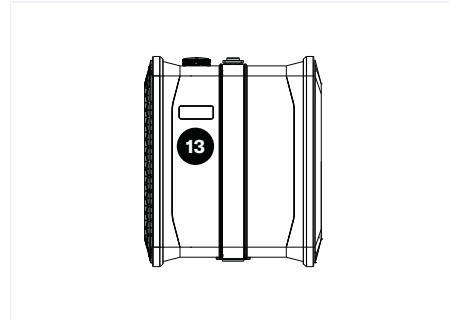
SOUNDBOKS ApS
CVR: 36457597
Esromgade 15, 1107
2200 Copenhagen N
Denmark
+45 78 75 03 06
info@SOUNDBOKS.com

1. SOUNDBOKS GO	32
1.1 Aperçu // 1.2 Spécifications // 1.3 Voici la SOUNDBOKS Go //	
1.4 Comportement des LED // 1.5 SKAA & Bouton Bond	
2. BATTERYBOKS & CHARGEUR	35
2.1 Aperçu // 2.2 Comment charger les BATTERYBOKS // 2.3 Informations de Garantie	
3. UTILISATION VISÉE	39
4. AVERTISSEMENTS DE SÉCURITÉ	39
5. INFORMATIONS CONCERNANT LA MISE AU REBUT	41
6. GARANTIE ET SERVICE	41
7. LIMITATION DE RESPONSABILITÉ	41
8. CONFORMITÉ	42
9. DERNIÈRES OBSERVATIONS	43

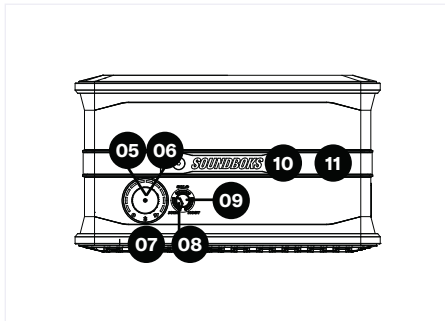
1. SOUNDBOKS Go // 1.1 Aperçu



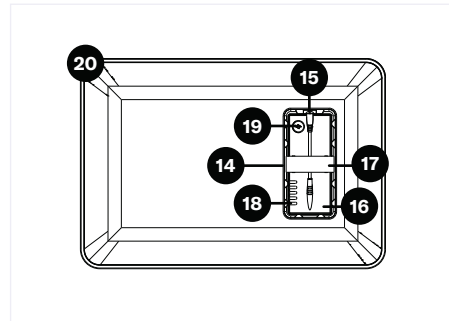
01 Tweeter // **02** Haut-parleur grave // **03** Ports Reflex // **04** Pare-choc en caoutchouc



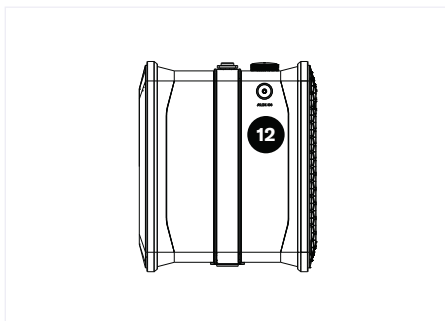
13 Team ID



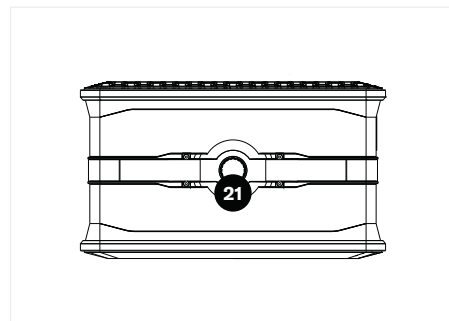
05 Bouton de mise en marche // **06** Régulation du volume // **07** Voyant LED de connexion Bluetooth // **08** Bouton Bond // **09** Bouton de connexion // **10** Poignée // **11** Sangle velcro à boucle



14 Support pour batterie // **15** Connecteur DC // **16** BATTERYBOKS // **17** Sangle // **18** Indicateur LED de l'état de la batterie // **19** Bouton d'état du niveau de batterie // **20** Pare-choc en caoutchouc



12 Fiche AUX



21 Support pour pied



1. SOUNDBOKS Go // 1.2 Spécifications

SON

Amplificateur

Amplificateur multiniveau breveté Infineon MERUS™, à l'efficacité de pointe

Unités hauts-parleurs

1 × Haut-parleur Graves Bass-Reflex 96dB de 10"
1 × Tweeter 102dB de 1" monté sur pavillon

Acoustique

Rehausseur de basses DSP SOUNDBOKS (logiciel personnalisé pour booster les basses fréquences et le volume, similaire dans sa conception au SOUNDBOKS (Gen. 3), mais conçu spécialement pour le SOUNDBOKS Go)

Profil psychoacoustique personnalisé, améliorant la qualité des graves même à faible niveau.

Convertisseur élévateur à haut rendement DSP efficace pour le traitement audio (puce identique mais nouveau logiciel)

Un algorithme de détection de la température intégré à l'amplificateur protège le tweeter d'une éventuelle surchauffe ou d'un dysfonctionnement

Connectivité

Bluetooth 5.0

Connexion TeamUp – Connexion en chaîne sans fil, jusqu'à 5 enceintes SOUNDBOKS Go à proximité (SKAA)
Prise AUX

Compatibilité

Compatible avec iPhone® et Android™

CONSTRUCTION

Dimensions

32 × 46 × 27 cm (12.6 × 18.1 × 10.1 pouces (H × W × D))

Poids

9.2 kg / 21 lb

Matériaux

Baffle avant, coffrage central et plaque arrière en ABS et polycarbonate

Support pour batterie en ABS

Bouton de volume en aluminium anodisé

Poignée en TPU, Lien en caoutchouc de silicone et

Bouton de connexion

Sangle et velcro en polyester

Température d'utilisation

-20~55°C

Caractéristiques

Anneaux de sangle pour y accrocher des accessoires

Batteries interchangeables

Trois ports reflex pour améliorer la réponse des basses

Support de pied Ø35mm

Mode Host/Join pour TeamUP sans fil

Contrôle du volume avec fonction On/Off

BATTERIE

Design

Indicateur d'autonomie de batterie LED à 5 niveaux

Connecteur DC robuste

Type de cellule

Au lithium fer phosphate (LiFePO4) - 12,8V 7,8Ah

Plage de température : -20 °C à 55 °C (-4 °F à 131 °F)

Capacité : 99,84Wh ou 7,8Ah

Autonomie

40 heures à mi-volume en mode Power

10 heures à plein volume en mode Power

3h30 pour une recharge complète

Système de gestion de la batterie (BMS)

Protection de surcapacité et de sous-capacité

Protection de court circuit

Protection de température

Gestion de la tension des cellules

Après 14 jours d'inactivité, votre appareil se mettra en mode veille. Appuyez sur le bouton ⚡ pour le sortir de son sommeil.

1. SOUNDBOKS Go // 1.3 Voici la SOUNDBOKS Go

Si vous lisez ceci, vous venez juste de recevoir votre SOUNDBOKS Go. Avant d'aller plus loin, voici quelques informations utiles.

1. Une fois que vous avez déballé votre enceinte, assurez-vous de conserver son emballage d'origine pour pouvoir la transporter, ou pour un(e) éventuel(e) retour ou réparation.
2. Chargez complètement votre BATTERYBOKS pendant environ 3h30 (pour plus d'informations, référez-vous à la section « Batteryboks & Chargeur ») pour des performances et une autonomie optimales.
3. Une fois chargée, glissez (sans forcer) votre BATTERYBOKS dans le support pour batterie et branchez la fiche DC. La BATTERYBOKS doit s'insérer parfaitement sans opposer de résistance.
4. Allumez votre enceinte, puis appuyez fermement sur le bouton de volume du panneau UI. Vous pourrez vous connecter dès que les LEDs situées autour du bouton de volume s'allument.
5. Il est temps de vous connecter à votre musique.
 - Via Bluetooth: si l'indicateur bleu du panneau UI est allumé, ouvrez simplement les paramètres Bluetooth de votre appareil, recherchez les périphériques et trouvez votre SOUNDBOKS #VotreTeamID (votre Team ID unique se trouve sur le côté gauche de votre SOUNDBOKS Go).
 - Via TeamUP: Appuyez deux fois sur le bouton TeamUp situé sur le panneau UI pour mettre votre SOUNDBOKS Go en mode Join, puis rejoignez un réseau de plusieurs SOUNDBOKS et créez



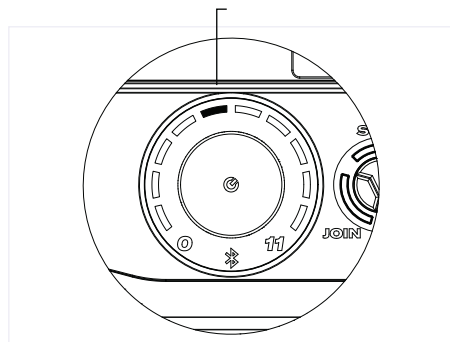
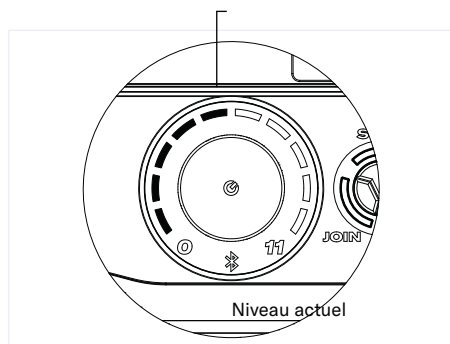
une installation stéréo grâce à l'application SOUNDBOKS.

- Via la prise AUX : connectez une extrémité d'un câble AUX à votre appareil compatible et l'autre à la prise AUX située sur le côté gauche de votre SOUNDBOKS Go. Maintenant, commencez à jouer votre musique!

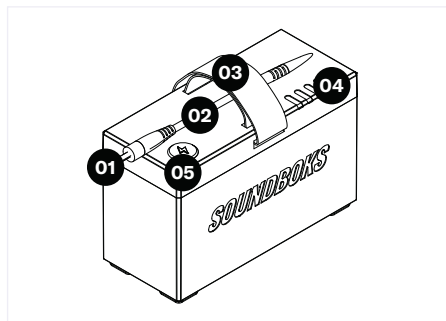
6. Maintenant, montez le volume et brisez le mur du son.

1. SOUNDBOKS Go // 1.4 Comportement des LED

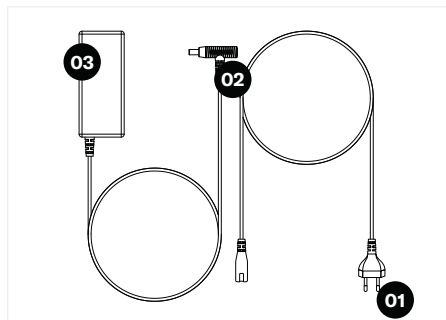
Votre SOUNDBOKS Go économisera de l'énergie en désactivant les LED traînantes après 10 secondes de niveau de volume constant.



2. BATTERYBOKS & Chargeur // 2.1 Aperçu



01 Fiche DC Batterie // 02 Câble DC // 03 Sangle
// 04 Indicateur LED de l'état de la batterie // 05
Bouton d'état du niveau de batterie



01 Câble d'alimentation - fiches UE (standard), US (standard), UK et CH disponibles // 02 Entrée DC Batterie // 03 Fiche DC Chargeur

1. SOUNDBOKS Go // 1.5 SKAA & Bouton Bond

Ce qui suit est le GUIDE OFFICIEL DE L'UTILISATEUR SKAA. Il décrit en détail comment utiliser et dépanner le bouton de connexion, situé sur le dessus de votre SOUNDBOKS Go. Le bouton Bond est le bouton de contrôle du mode Join, par le biais de la fonction TeamUp, une connexion en chaîne sans fil. Chaque récepteur SKAA® possède une Liste Verte qui garde en mémoire vos émetteurs favoris. Un voyant vert sur votre récepteur signifie que vous êtes connecté à un favori, ou que vous en recherchez un. Votre récepteur peut également rechercher de nouveaux émetteurs – un voyant ambre signifie que vous recherchez un émetteur qui ne figure pas dans votre Liste Verte. Un Cluster est une entité composée de deux appareils ou plus, se comportant comme un seul. Le bouton de connexion vous permet de choisir quel émetteur vous souhaitez écouter. Il possède un logo composé de deux flèches.

1. SOUNDBOKS Go // 1.5 SKAA & Bouton Bond

Bouton Bond	Commande	Voyant	Indication
Maintenez appuyé quelques secondes	Ajouter Supprimer Pour ajouter ou supprimer manuellement l'émetteur actuel à/de votre Liste Verte.	● à ● ● clignotant	Ajouté Supprimé
Maintenez appuyé quelques secondes	Ajout automatique SKAA ajoutera automatiquement l'émetteur orange que vous écoutez à votre Liste Verte au bout de 30 minutes.	● à ●	Ajouté
1 clic	Mode vert Parcourez votre liste d'émetteurs favoris (Liste Verte) — lorsque vous en trouvez un, la recherche s'arrête et le son de cet émetteur est diffusé.	● faible ● clignotant ● lumineux	Recherche Suivant Connecté
2 clics	Mode Ambre Explorez de nouveaux émetteurs inconnus (qui ne figurent pas sur votre Liste Verte).	● faible ● lumineux	Recherche Connecté
3 clics	Sourdine Recommencez pour rétablir le son ; les clics permettent d'activer d'abord le son, puis d'exécuter une fonction.	●, ● ou ● clignotant doucement	En sourdine
4 clics	Mode Rouge Si au moins 2 émetteurs figurent sur votre Liste Verte, allumez celui que vous voulez écouter et il sera automatiquement lu.	● faible ● lumineux	Recherche Connecté
6 clics	Remise à zéro Cette fonction efface votre Liste Verte. Vous pouvez tout recommencer !	● clignotant	Réinitialisation effectuée
Maintenez pendant la mise sous tension	Créez un cluster de récepteurs : 1. Éteignez tous les émetteurs et récepteurs 2. Allumez le récepteur principal tout en maintenant le bouton de connexion enfoncé — et ce, jusqu'à ce que le voyant commence à clignoter en rouge. 3. Placez tous les récepteurs à moins de 3 mètres du récepteur principal, puis allumez le premier et attendez que son voyant clignote en rouge ; faites de même pour le deuxième et continuez jusqu'à ce que tous les récepteurs soient allumés. 4. Quand les voyants auront cessé de clignoter pour passer au rouge continue, éteignez tous les récepteurs.	● clignotant ● lumineux	Le récepteur est passé en mode Cluster. Le Cluster a bien été créé.



Le Badge Compatible SKAA de votre appareil signifie que ce dernier a été testé, qu'il est entièrement compatible avec toutes les exigences du standard SKAA, et qu'il a obtenu la certification SKAA. Ce produit fonctionnera en symbiose avec les autres dispositifs d'émission et de réception audio de l'écosystème SKAA. Pour plus d'informations sur le standard SKAA, veuillez consulter le site www.SKAA.com. Le nom SKAA®, ainsi que ses marques, logos et icônes, sont des marques ou des marques déposées de Eleven Engineering Incorporated.

2. BATTERYBOKS & Chargeur

// 2.2 Comment charger les BATTERYBOKS

Comme indiqué dans la section POUR COMMENCER, les BATTERYBOKS doivent, une fois déballées, être chargées pendant 3h30 avant leur première utilisation. Pensez à débrancher votre batterie une fois celle-ci pleinement chargée, et ne la laissez jamais charger plus de 6 heures d'affilée, car cela pourrait l'endommager. Voici deux manières de charger votre BATTERYBOKS :

Charger la batterie en dehors de la SOUNDBOKS Go

Insérez la fiche DC BATTERYBOKS dans l'entrée DC batterie de votre chargeur et branchez le câble d'alimentation de votre chargeur à la prise secteur la plus proche.

Charger la batterie dans la SOUNDBOKS Go

Glissez votre BATTERYBOKS dans le support pour batteries situé à l'arrière de votre SOUNDBOKS Go. Une fois insérée, branchez la fiche DC de votre batterie dans l'entrée DC sur la partie supérieure de votre compartiment pour batteries. Puis connectez la fiche DC de votre chargeur à l'entrée DC de votre BATTERYBOKS.

IMPORTANT

Veillez noter que vous pouvez toujours utiliser votre SOUNDBOKS Go lorsque à la fois la BATTERYBOKS et le chargeur sont connectés. N'utilisez jamais la SOUNDBOKS Go sans BATTERYBOKS, par exemple en connectant le chargeur directement à la SOUNDBOKS Go.

2. BATTERYBOKS & Ladegerät

// 2.3 Informations de Garantie

Chez SOUNDBOKS (collectivement, SOUNDBOKS APS et SOUNDBOKS, Inc.), nous comprenons parfaitement ton impatience d'acquiescer ta propre enceinte SOUNDBOKS et de pousser le volume à 11. Néanmoins, avant de faire des envieux, nous avons été conseillés par quelques juristes, lesquels t'invitent à lire le texte suivant, particulièrement intéressant. En gros, ces quelques lignes t'expliquent tous les aspects juridiques amusants à connaître sur ta nouvelle enceinte SOUNDBOKS. Nous ne te promettons pas une lecture passionnante, mais elle s'avère plutôt essentielle, et nous aimerions beaucoup que tu y jettes un coup d'œil. Après quoi, libre à toi d'inonder le quartier de ton son!

LA PRÉSENTE GARANTIE LIMITÉE VOUS DONNE DES DROITS LÉGAUX SPÉCIFIQUES, DE MÊME QUE VOUS POUVEZ ÉGALEMENT EN EXERCER D'AUTRES, LESQUELS VARIENT D'UN ÉTAT À L'AUTRE. NOUS LIMITONS LA DURÉE ET LES RECOURS DE TOUTES LES GARANTIES IMPLICITES, Y COMPRIS, SANS S'Y LIMITER, LES GARANTIES DE QUALITÉ MARCHANDE ET D'ADAPTATION À UNE FIN PARTICULIÈRE À LA DURÉE DE LA PRÉSENTE GARANTIE LIMITÉE EXPRESSE. AUX ÉTATS-UNIS, CERTAINS ÉTATS N'AUTORISENT PAS LA LIMITATION DE LA DURÉE D'UNE GARANTIE IMPLICITE, SI BIEN QUE LA LIMITATION DONT IL EST QUESTION CI-DESSUS POURRAIT NE PAS S'APPLIQUER À VOTRE CAS.

SPÉCIFICATIONS – BATTERYBOKS

Batterie Li-Ion rechargeable
7.8Ah | 12.8V
99.84Wh
LiFePO4
4IFpP6/65/134-2

Sortie: **12.8V** \approx **7.8A**



Batterie conforme aux dispositions du Manuel d'épreuves et de critères de l'ONU, partie III, sous-section 38.3. // P/N BB3 - C29 BATTERYBOKS

SPÉCIFICATIONS – CHARGER

Sortie: **100–240V** ~ **50–60Hz**, **1.2A MAX**
Entrée: **14V** \approx **3.3A**



Utilisez uniquement l'alimentation SOUNDBOKS: KA4802A-1403300P Shenzhen Keyu Power Supply Technology Co., Ltd

Risque d'incendie ou d'explosion si la batterie est remplacée par un type incorrect.

La destruction d'une batterie dans un feu ou dans un four chaud, ou écrasement ou coupure mécanique d'une batterie, pouvant entraîner une explosion.

Laisser une batterie dans un environnement à température extrêmement élevée pouvant entraîner une explosion ou une fuite de liquide ou de gaz inflammable.

Une batterie soumise à une pression d'air extrêmement basse peut provoquer une explosion ou une fuite de liquide ou de gaz inflammable.



GARANTIE ET SERVICE

SOUNDBOKS GARANTIT (« GARANTIE LIMITÉE ») QUE LE PRODUIT SOUNDBOKS EST EXEMPT DE DÉFAUTS DE MATÉRIAUX ET DE FABRICATION AU MOMENT DE L'ACHAT INITIAL PAR L'UTILISATEUR FINAL (LE « CLIENT » OU « VOUS »). LA PRÉSENTE GARANTIE LIMITÉE COUVRE LA FONCTIONNALITÉ DU PRODUIT SOUNDBOKS POUR SON UTILISATION NORMALE ET PRÉVUE DANS UN ENVIRONNEMENT TEL QUE SPÉCIFIÉ CI-DESSOUS UNIQUEMENT ET NE COUVRE PAS LES DYSFONCTIONNEMENTS RÉSULTANT D'UNE UTILISATION OU D'UN ENTRETIEN INCORRECTS OU DÉRAISONNABLES, TEL QUE PRÉCISÉ CI-APRÈS AU PARAGRAPHE 4, AINSI QUE TOUTE RÉPARATION NON AUTORISÉE, USURE NORMALE OU CAUSES EXTERNES TELLES QUE DES ACCIDENTS, ABUS OU AUTRES ACTIONS OU ÉVÉNEMENTS INDÉPENDANTS DE NOTRE CONTRÔLE RAISONNABLE.

La présente Garantie limitée est accordée au Client qui achète un nouveau produit SOUNDBOKS directement auprès de SOUNDBOKS. Cette Garantie limitée ne peut être cédée ni transférée à un acheteur ou utilisateur ultérieur. Tout produit SOUNDBOKS acheté chez un revendeur agréé sera couvert par les conditions de garantie fournies par celui-ci.

La Garantie limitée couvre exclusivement à la réparation ou le remplacement du produit SOUNDBOKS à la discrétion de SOUNDBOKS, mais pas les frais de transport, d'enlèvement ou d'installation dudit produit SOUNDBOKS.

La présente Garantie limitée s'étend sur DEUX (2) ANS à compter de l'achat initial du produit SOUNDBOKS par le Client.

Si SOUNDBOKS reçoit, pendant la période de garantie applicable, un avis valide l'informant d'un défaut constaté sur l'un de ses produits couverts par la garantie de SOUNDBOKS - voir la liste des produits couverts, sur SOUNDBOKS.com/help - SOUNDBOKS, à sa seule discrétion,

- dans un délai raisonnable après avoir été informée du défaut ;
- réparera le défaut sans frais, en utilisant des pièces de rechange neuves ou reconditionnées, ou
- remplacera le produit.

Le temps de réponse peut varier d'un pays à l'autre et dépend, entre autres, de la disponibilité des pièces, de la main-d'oeuvre et du transport.

Pour bénéficier de ce service :

voir SOUNDBOKS.com/help

LIMITATION DE RESPONSABILITÉ

LES RECOURS DÉCRITS CI-DESSUS CONSTITUENT VOS SEULS ET UNIQUES RECOURS, ET ILS RELÈVENT DE VOTRE ENTIÈRE RESPONSABILITÉ, EN CAS DE VIOLATION DE LA PRÉSENTE GARANTIE LIMITÉE. NOTRE RESPONSABILITÉ NE POURRA EN AUCUN CAS EXCÉDER LE MONTANT RÉEL ENCOURU POUR LE PRODUIT DÉFECTUEUX, DE MÊME QUE NOUS NE POURRONS AUCUNEMENT ÊTRE TENUS RESPONSABLES DE DOMMAGES OU PERTES SECONDAIRES, FORTUITS, SPÉCIFIQUES OU PUNITIFS, QU'ILS SOIENT DIRECTS OU INDIRECTS. AUX ÉTATS-UNIS, CERTAINS ÉTATS NE PERMETTENT PAS L'EXCLUSION OU LA LIMITATION DES DOMMAGES FORTUITS OU SECONDAIRES, DE

SORTE QUE LA LIMITATION OU L'EXCLUSION SUSMENTIONNÉES POURRAIENT NE PAS ÊTRE APPLICABLES À VOTRE CAS.

MARQUAGE

Les produits SOUNDBOKS et leurs batteries sont des équipements électriques et électroniques, ils sont donc marqués du pictogramme suivant.



Ce label signifie que les produits SOUNDBOKS sont tenus de respecter la directive 2012/19/UE du Parlement européen et du Conseil du 4 juillet 2012 relative aux déchets d'équipements électriques et électroniques (directive DEEE), et que les batteries/piles et accumulateurs contenus dans les produits sont tenus de respecter la directive 2006/66/CE du Parlement européen et du Conseil du 6 septembre 2006 relative aux batteries/piles et accumulateurs ainsi qu'aux déchets de batteries/piles et d'accumulateurs. Ces produits ne peuvent pas être jetés avec les ordures ménagères non triées, mais ils doivent faire l'objet d'un traitement spécifique. Pour en savoir plus à ce sujet, consultez la section INFORMATIONS POUR LE CONSOMMATEUR. Enfin, la capacité de nos batteries est certifiée selon les normes CEI en vigueur. Les repères de capacité indiquent les sorties possibles de la batterie dans des situations précises, par exemple, changement de température, charge et recharge. Ces marquages seront visibles sur le produit lui-même. Les produits SOUNDBOKS et leurs batteries sont des équipements électriques et électroniques, ils sont donc marqués du pictogramme suivant. Ce label signifie que les produits SOUNDBOKS sont tenus de respecter la directive 2012/19/UE du Parlement européen et du Conseil du 4 juillet 2012 relative aux déchets d'équipements électriques et électroniques (directive DEEE), et que les batteries/piles et accumulateurs contenus dans les produits sont tenus de respecter la directive 2006/66/CE du Parlement européen et du Conseil du 6 septembre 2006 relative aux batteries/piles et accumulateurs ainsi qu'aux déchets de batteries/piles et d'accumulateurs. Ces produits ne peuvent pas être jetés avec les ordures ménagères non triées, mais ils doivent faire l'objet d'un traitement spécifique. Pour en savoir plus à ce sujet, consultez la section « INFORMATIONS POUR LE CONSOMMATEUR ». Enfin, la capacité de nos batteries est certifiée selon les normes CEI en vigueur. Les repères de capacité indiquent les sorties possibles de la batterie dans des situations précises, par exemple, changement de température, charge et recharge. Ces marquages seront visibles sur le produit lui-même.

INFORMATIONS POUR LE CONSOMMATEUR

Les batteries contiennent des substances potentiellement nocives pour la santé humaine et nuisibles pour l'environnement si elles ne sont pas manipulées avec précaution.





Les batteries qui ne sont pas intégrées dans l'enceinte et sont marquées d'un pictogramme ne doivent pas être jetées avec les déchets ménagers non triés. Elles doivent être éliminées séparément.

Les enceintes et les batteries intégrées sont des équipements électriques et électroniques. Ces équipements contiennent des matériaux, des composants et des substances potentiellement nocifs pour la santé humaine et l'environnement s'ils ne sont pas manipulés avec précaution.

En tant qu'utilisateur final de ces appareils, vous devez vous débarrasser des batteries ou piles usagées et de tous vos appareils électriques et électroniques auprès d'un service de recyclage agréé. Ainsi, vous veillez à un recyclage conforme à la loi et donc à un traitement respectueux de l'environnement.

Chaque commune/municipalité propose un service de recyclage qui accepte tous les équipements électriques et électroniques ainsi que les batteries mobiles, ou vous pouvez les faire enlever directement à votre domicile. Pour plus d'informations, contactez le service technique de l'administration locale de votre commune/ville.

CLAUDE DE NON-RESPONSABILITÉ

Sous réserve des dispositions de la Garantie limitée et dans la mesure permise par la loi, SOUNDBOKS, ses employés, ses sociétés affiliées, son conseil d'administration, les propriétaires de l'entreprise ou ses fournisseurs tiers ne peuvent en aucun cas être tenus responsables des dommages directs, indirects, spéciaux et aléatoires, ni des dommages indirects (y compris, mais sans s'y limiter, les pertes financières, les préjudices personnels et la perte de biens et de propriété), qu'ils soient fondés sur un contrat, un délit ou toute autre théorie juridique, en vertu des présentes, mais sans s'y limiter, les dommages directs, indirects, spéciaux, aléatoires ou consécutifs causés par une utilisation inadéquate, inappropriée et irréflective du produit.

Dans ce contexte, SOUNDBOKS se doit d'attirer une attention toute particulière sur le fait que les actes suivants dégagent la société de toute responsabilité :

- Mauvais branchement des batteries et de l'enceinte.
- Exposition prolongée du produit SOUNDBOKS à toute forme de précipitation.
- Immersion de n'importe quelle partie du produit SOUNDBOKS dans n'importe quelle forme de liquide.
- Utilisation des produits SOUNDBOKS à d'autres fins que celles pour lesquelles ils sont destinés habituellement.
- Utilisation d'autres chargeurs que celui produit et livré par SOUNDBOKS.
- Utilisation d'autres batteries que celles produites et livrées par SOUNDBOKS.
- Modification, reconstruction ou reconditionnement non autorisés de toute partie d'un produit SOUNDBOKS, à l'exception du retrait et de la personnalisation de la grille SOUNDBOKS, avec une clé hexagonale fournie à cet effet.

MARQUES DÉPOSÉES

Les noms et logos figurant dans ce manuel d'utilisation ou sur l'emballage du produit sont des marques déposées de la société SOUNDBOKS. Toute copie

ou utilisation est interdite sans l'autorisation de SOUNDBOKS est strictement interdite.

CONFORMITÉ

Par la présente, SOUNDBOKS APS déclare que le présent équipement SOUNDBOKS est conforme aux exigences fondamentales et autres dispositions pertinentes des Informations suivantes de la Directive de Conformité de l'UE.

Conforme à la Directive Basse Tension de l'Union européenne 2014/35/UE;

Directive CEM (en matière de compatibilité électromagnétique) de l'Union européenne 2014/30/UE;

Directive de l'Union européenne sur les équipements hertziens (RED) 2014/53/UE.

Directive de l'Union européenne sur l'écoconception 2009/125/CE;

Directive DEEE (relative aux déchets d'équipements électriques et électroniques) de l'Union européenne 2012/19/UE;

Directive relative à la limitation de l'utilisation de certaines substances dangereuses dans les équipements électriques et électroniques. (refonte) (RoHS2) 2011/65/UE;

Directive de l'Union européenne concernant l'enregistrement, l'évaluation et l'autorisation des substances chimiques, ainsi que les restrictions applicables à ces substances (REACH) 2006/121/CE; Ce produit contient des batteries visées par la directive européenne 2006/66/CE, qui ne peuvent pas être mises au rebut avec les déchets ménagers normaux.

Vous devez respecter les réglementations locales.

Vous pouvez obtenir un exemplaire gratuit de la

Déclaration de conformité en contactant votre revendeur, distributeur ou le siège mondial de SOUNDBOKS APS. Les coordonnées des personnes-ressources se trouvent ici : www.SOUNDBOKS.com. Cet appareil est conforme à l'article 15 du règlement de la FCC. Son utilisation est soumise aux deux conditions suivantes :

- (1) Cet appareil ne doit pas causer d'interférences nuisibles, et
- (2) Cet appareil doit accepter toute interférence reçue, y compris les interférences susceptibles de provoquer un fonctionnement non désiré.

REMARQUE : Cet équipement a été testé et déclaré conforme aux limites d'un appareil numérique de classe B, conformément à la partie 15 du règlement de la FCC. Ces limites visent à garantir une protection raisonnable contre les interférences nuisibles dans une installation résidentielle. Cet équipement génère, utilise et peut émettre de l'énergie radiofréquence et, s'il n'est pas installé ni utilisé conformément aux consignes, il peut occasionner des interférences nuisibles aux communications radio. Cependant, aucun élément ne garantit l'absence d'interférences dans une installation particulière. Si cet équipement cause des interférences nuisibles à la réception radio ou télévisée, vérifiables en éteignant et rallumant l'équipement, l'utilisateur est invité à les corriger en prenant une ou plusieurs des mesures suivantes :

- Réorienter ou déplacer l'antenne de réception.
- Augmenter la distance entre l'équipement et le récepteur.





- Brancher l'équipement dans une prise de courant sur un autre circuit que le récepteur.
- Consulter le revendeur ou un technicien radio/TV expérimenté pour obtenir de l'aide.

Approuvé conformément à la disposition portant sur la sécurité du paragraphe 15 du règlement de la FCC

ATTENTION: Tout changement ou modification non expressément approuvés par le fabricant risqueraient annuler le droit de l'utilisateur de se servir de cet appareil.

Industrie du Canada:

L'émetteur/récepteur exempt de licence contenu dans le présent appareil est conforme aux CNR d'Innovation, Sciences et Développement économique Canada applicables aux appareils radio exempts de licence.

L'exploitation est autorisée aux deux conditions suivantes:

- (1) L'appareil ne doit pas produire de brouillage;
- (2) L'appareil doit accepter tout brouillage radioélectrique subi, même si le brouillage est susceptible d'en compromettre le fonctionnement.

Informations concernant l'exposition aux fréquences radio (RF)

La puissance de sortie rayonnée du dispositif sans fil est inférieure aux limites d'exposition aux radiofréquences d'Innovation, Sciences et Développement économique Canada (ISED). Le dispositif sans fil doit être utilisé de manière à minimiser le potentiel de contact humain pendant le fonctionnement normal.

Cet appareil a également été évalué et montré conforme aux limites d'exposition RF ISED dans des conditions d'exposition mobiles. (Les antennes sont à plus de 20 cm du corps d'une personne).

AVERTISSEMENT, MISE EN GARDE ET AVIS

! AVERTISSEMENT

AVERTISSEMENT indique une situation dangereuse qui, faute d'être évitée, peut entraîner la mort ou des blessures graves.

! ATTENTION

ATTENTION indique une situation dangereuse qui, faute d'être évitée, pourrait entraîner des blessures légères ou modérées.

AVIS

AVIS est utilisé pour des pratiques liées au soin de blessure qui ne sont pas physiques. Votre enceinte SOUNDBOKS est construite pour être durable, portable et forte en volume. Cependant, pour pouvoir continuer à apprécier votre enceinte et de protéger votre équipement, vous devez lire ce manuel en entier et lire les avertissements suivants:

! AVERTISSEMENT

- Ceci est une enceinte optimisée pour l'utilisation en plein air. Elle est extrêmement forte en volume. Faites attention quand vous êtes placé devant ou prêt de l'enceinte pendant la diffusion de son car cela peut résulter en dommages auditifs.
- Pour éviter le risque de choc ou d'endommagement du produit, veuillez à utiliser l'enceinte SOUNDBOKS avec le chargeur approuvé tel que celui qui est fourni avec l'appareil.
- Si vous constatez des signes de dommages éventuels, tels que du plastique fondu, des températures anormalement élevées ou des odeurs provenant de votre enceinte, éteignez le dispositif et contactez immédiatement SOUNDBOKS via info@SOUNDBOKS.com.
- Lisez attentivement les mises en garde et les signes relatives au câble du chargeur.
- Une manipulation non conforme des batteries rechargeables peut entraîner un risque d'incendie ou une explosion.
- Tenez la batterie rechargeable éloignée des trombones, des pièces de monnaie, des clés, des vis ou autres objets métalliques susceptibles de relier les contacts. Un court-circuit causé par les contacts entre batteries rechargeables pontées peut provoquer des brûlures ou un incendie.
- Un chargeur de batterie de voiture normal ne convient pas.
- Ne transportez jamais la batterie rechargeable par les pôles.
- Évitez les bosses et les stress brusques.
- Évitez les charges ou décharges électrostatiques. N'utilisez jamais de chiffons ou d'éponges synthétiques pour nettoyer la batterie rechargeable, mais uniquement des chiffons légèrement humides, sans aucun additif.
- Une utilisation non conforme risquerait d'entraîner une fuite d'acide corrosif de l'accumulateur, évitez tout contact avec celui-ci. En cas de contact accidentel, rincez immédiatement et abondamment à l'eau et consultez un médecin.
- Le câble d'alimentation et l'adaptateur secteur sont réservés à un usage intérieur.
- N'ouvrez jamais le boîtier de l'appareil. Les réparations ne doivent être effectuées que par un atelier spécialisé agréé. Ainsi, seules les pièces correspondant aux données d'origine de l'appareil peuvent être utilisées.
- N'utilisez que les produits accessoires spécifiés par le fabricant.
- En cas de pénétration d'eau ou d'autres débris dans le boîtier, débranchez immédiatement la fiche secteur et retirez la batterie rechargeable. Contactez ensuite notre service clientèle à l'adresse info@SOUNDBOKS.com ou SOUNDBOKS.com/help.
- Si l'appareil dégage de la fumée, des odeurs de brûlé ou émet des sons inhabituels, débranchez-le immédiatement du secteur ou de la batterie et ne l'utilisez plus.
- Ne jamais modifier l'appareil. Toute intervention





- non autorisée pourrait affecter la sécurité, le fonctionnement et la garantie de l'appareil.
- Pour réduire les risques de blessures dues au basculement, toujours utiliser sur une surface plane. Ne placez pas l'enceinte SOUNDBOKS à un endroit où elle pourrait tomber et blesser quelqu'un.
 - Une base instable risquerait de faire basculer l'appareil et ainsi blesser, voire tuer une personne; les enfants sont particulièrement à risque. Vous pouvez prévenir un grand nombre d'accidents en prenant les précautions suivantes :
 - Si l'enceinte SOUNDBOKS n'est pas montée correctement, ne l'utilisez pas dans des véhicules, dans des endroits instables, sur des trépieds ou des meubles vacillants, dont les supports sont insuffisants, etc.
 - Placez l'enceinte SOUNDBOKS de manière à l'empêcher de se renverser par inadvertance et assurez-vous que les câbles ne présentent pas de risque de trébuchement.
 - Lorsque vous rangez l'enceinte SOUNDBOKS, veillez également à ce qu'elle soit bien en place, et qu'elle ne puisse pas être retournée ou écrasée.
 - Ne laissez jamais des enfants utiliser des appareils électriques sans surveillance.
 - Ce produit contient un produit chimique connu dans l'État de Californie pour causer des malformations congénitales ou d'autres problèmes de reproduction.

! ATTENTION

Une écoute prolongée à volume élevé peut entraîner une perte auditive. Pour éviter toute atteinte à la santé, évitez l'écoute prolongée à volume élevé.

AVIS

Une mauvaise utilisation et un entretien incorrect constituent les principales causes d'endommagement des batteries rechargeables haute performance.

- Évitez une décharge trop importante, de moins de 20 % pour une alimentation optimale de la batterie rechargeable.
- Rechargez fréquemment la batterie.
- Rangez la batterie rechargeable dans un endroit frais, mais à l'abri du gel, idéalement à 15° C/59°F. Des températures plus élevées entraînent un taux d'autodécharge plus élevé et raccourcissent les intervalles entre les charges.
- N'exposez pas la batterie rechargeable à la lumière directe du soleil ni à d'autres sources de chaleur.
- Une décharge trop importante endommagera la batterie rechargeable. La cause la plus fréquente de décharge importante tient au stockage prolongé ou la non-utilisation d'une batterie rechargeable partiellement déchargée. Ne rangez la batterie rechargeable qu'une fois qu'elle est complètement chargée.
- Si le produit SOUNDBOKS est soumis à des températures élevées après avoir été refroidi (par ex. après son transport), il se peut que de la condensation s'y forme. Le cas échéant, attendez au moins 2 heures avant de brancher et d'activer le

produit SOUNDBOKS.

- N'hésitez pas à contacter SOUNDBOKS en cas de doute ou si vous constatez la fonte du plastique ou le dégagement d'odeurs provenant de votre produit SOUNDBOKS.
 - Ne placez pas de sources de flammes ouvertes telles que des bougies allumées ou autres sur l'enceinte SOUNDBOKS.
 - Ne placez pas les produits SOUNDBOKS à proximité de sources de chaleur (p. ex. appareils de chauffage, fours).
 - Veillez à une ventilation suffisante.
 - Ne couvrez pas les événements avec des rideaux, des couvertures, des affiches ou tout objet similaire. L'accumulation de chaleur à l'intérieur d'un produit SOUNDBOKS peut réduire sa durée de vie.
 - Si le produit SOUNDBOKS doit rester sans surveillance pendant une période prolongée (par exemple pendant les vacances), mettez l'appareil hors tension et débranchez-le. Veillez à ranger votre produit SOUNDBOKS dans un endroit propre, sec et protégé.
- Certains de nos produits comportent les libellés chimiques Hg (mercure), Cd (cadmium) ou Pb (plomb). Il s'agit de substances particulièrement dangereuses devant être séparées des ordures ménagères normales et éliminées dans un centre de recyclage. Si la batterie contient une ou plusieurs de ces substances dangereuses, le pictogramme ci-après y sera apposé.

3. Utilisation Visée

Ce produit est un haut-parleur destiné à diffuser de la musique et du son en connexion avec un appareil sonore tel qu'un smartphone, une tablette ou d'autres appareils compatibles. Il ne doit pas être utilisé à d'autres fins. Toute autre usage que celui autorisé aux termes des présentes est considéré comme inapproprié et peut entraîner des blessures corporelles ou des dommages matériels. Aucune responsabilité ne sera prise de notre part en cas de dommages provenant d'un emploi inapproprié.

4. Avertissements de Sécurité

ATTENTION

ATTENTION indique une situation dangereuse qui peut entraîner la mort ou des blessures graves.

MISE EN GARDE

MISE EN GARDE indique une situation dangereuse qui peut entraîner des blessures mineures ou modérées.

AVIS

AVIS est utilisé pour indiquer des dommages autres que corporels.



ATTENTION

- Ne chargez vos enceintes SOUNDBOKS Go qu'avec les sources d'alimentation fournies par SOUNDBOKS. Toute source d'alimentation supérieure à 12 V peut endommager gravement l'enceinte.
- Pour réduire le risque de blessures en l'inclinant, utilisez toujours l'appareil sur une surface stable. Placez votre enceinte SOUNDBOKS Go à un endroit sans risque de chute, afin de ne blesser personne.
- Ceci est une enceinte d'extérieur. Elle est extrêmement puissante. Ne vous tenez pas trop près de l'enceinte pendant son utilisation ; cela pourrait vous causer des lésions auditives.
- Pour éviter tout risque d'électrocution ou d'endommagement du produit, veuillez toujours utiliser le chargeur fourni avec votre enceinte SOUNDBOKS Go. En cas d'apparition de signes de dommages tels que du plastique fondu, des températures anormalement élevées, des odeurs provenant de votre enceinte, contactez immédiatement SOUNDBOKS via info@SOUNDBOKS.com.
- Assurez-vous de lire les avertissements et les instructions fournis avec le chargeur.
- Une manipulation incorrecte des piles rechargeables peut provoquer un incendie ou une explosion.
- Conservez la batterie rechargeable à l'abri des trombones, pièces de monnaie, clés, vis ou autres petits objets métalliques qui pourraient provoquer un pontage des contacts. Un court-circuit entre les contacts de la batterie rechargeable peut entraîner des brûlures ou un incendie.
- Un chargeur de batterie auto ne convient pas.
- Ne transportez jamais la batterie rechargeable par ses pôles.
- Évitez les chocs et les tensions brusques.
- Évitez les charges ou décharges électrostatiques. N'utilisez jamais de chiffons ou d'éponges synthétiques pour nettoyer la batterie rechargeable, mais un chiffon humidifié, sans produits nettoyants.

En cas d'utilisation incorrecte, de l'acide corrosif peut s'échapper de la batterie rechargeable. N'y touchez surtout pas. En cas de contact accidentel, rincez immédiatement et abondamment à l'eau, puis consultez un médecin.

Le câble d'alimentation et l'adaptateur secteur sont destinés à un usage strictement intérieur.

N'OUVREZ JAMAIS LE BOÎTIER DE L'APPAREIL – Confiez les réparations à un atelier spécialisé agréé.

Dans ce processus, seules les pièces correspondant aux caractéristiques d'origine de l'appareil peuvent être utilisées. N'utilisez que des accessoires spécifiés par le fabricant. En cas d'éclaboussures d'eau ou de débris dans le boîtier de l'enceinte, débranchez immédiatement la fiche principale et retirez la batterie rechargeable. Contactez ensuite notre service clientèle à l'adresse info@SOUNDBOKS.com ou sur [SOUNDBOKS.com/help](https://www.soundboks.com/help)

Si l'appareil émet de la fumée, une odeur de brûlé ou produit des sons inhabituels, débranchez-le immédiatement et ne l'utilisez plus.

NE MODIFIEZ EN AUCUN CAS L'APPAREIL – Toute intervention non autorisée peut affecter sa sécurité et sa fonctionnalité.

Un sol instable peut faire basculer l'enceinte et blesser ou même tuer quelqu'un ; les enfants sont particulièrement à risque. Évitez un grand nombre d'accidents en prenant les précautions suivantes :

- N'utilisez pas votre SOUNDBOKS Go dans des véhicules, dans des endroits instables, sur des trépieds ou des meubles bancals, sur des supports peu robustes, etc.
- Placez l'enceinte SOUNDBOKS Go de manière à ce qu'elle ne puisse pas être renversée par inadvertance et assurez-vous que les câbles ne présentent pas de risque de trébuchement.
- Lors du rangement de votre SOUNDBOKS Go, veillez également à la poser stablement pour qu'elle reste bien en place.
- Ne laissez jamais les enfants utiliser des appareils électriques sans surveillance.
- Cet appareil contient un produit chimique reconnu par l'État de Californie comme causant des anomalies congénitales ou d'autres effets nocifs sur la reproduction.

MISE EN GARDE

- Une écoute prolongée à des volumes élevés peut entraîner une perte d'audition. Pour votre santé, évitez toute écoute prolongée à des volumes élevés.

AVIS

Une mauvaise utilisation et un entretien incorrect sont les principales causes d'endommagement des batteries rechargeables à haute performance.

- Évitez de descendre à moins de 20 % de batterie pour en optimiser la puissance.
- Rechargez fréquemment votre batterie.
- Stockez votre batterie dans un endroit frais et à l'abri du gel, idéalement à 15° C/59° F. Une température plus élevée entraînerait un taux d'auto-décharge plus important, raccourcissant les intervalles de vos charges.
- N'exposez pas la batterie en plein soleil, ni à d'autres sources de chaleur, d'eau ou d'autres liquides.
- Une décharge trop profonde endommage les cellules de la batterie. La cause la plus fréquente de décharge profonde reste le stockage prolongé ou la non-utilisation d'une batterie rechargeable partiellement déchargée. Ne rangez la batterie rechargeable qu'une fois complètement chargée.
- Si votre SOUNDBOKS Go est soumise à des températures chaudes après être restée au frais (par exemple, après son transport), de la condensation peut se créer à l'intérieur. Dans ce cas, attendez au moins 2 heures avant de connecter et d'allumer votre SOUNDBOKS Go.
- Contactez SOUNDBOKS si vous avez des doutes ou si vous constatez que le plastique fond ou que des odeurs se dégagent de votre enceinte SOUNDBOKS Go.
- Ne placez jamais une source de flamme vive, telle qu'une bougie allumée, sur votre SOUNDBOKS Go.

- Ne placez pas votre SOUNDBOKS Go à proximité de sources de chaleur (par exemple : chauffages, fours).
- Si votre enceinte doit rester sans surveillance pendant une période prolongée (si vous partez en vacances, par exemple), veillez à l'éteindre et à la débrancher. Stockez votre SOUNDBOKS Go dans un endroit propre, sec et abrité.

Certains de nos produits sont étiquetés avec leur nom chimique : Hg (mercure), Cd (cadmium) ou Pb (plomb). Il s'agit de substances particulièrement dangereuses ; il est donc important de ne pas les jeter avec vos déchets ménagers ordinaires, mais de les emmener à un centre de recyclage. Si la batterie contient une ou plusieurs de ces substances dangereuses, elle sera indiquée sous le pictogramme illustré ci-dessus.

5. Informations Concernant La Mise Au Rebut

Ce produit SOUNDBOKS est un appareil électronique et a par conséquent été marqué du pictogramme suivant, applicable dans l'Union Européenne.



Cette labélisation signifie que les produits SOUNDBOKS doivent répondre à la Directive 2012/19/EU du Parlement Européen et du Conseil du 4 juillet 2012 relative aux déchets électriques et électroniques (Directive DEEE). Ces produits ne doivent pas être jetés avec les déchets ménagers non triés, mais doivent être pris en charge individuellement. Si vous êtes hors de l'UE, soyez conscient que les produits SOUNDBOKS sont des équipements électroniques. Ces équipements contiennent des matériaux, des composants et des substances qui peuvent porter atteinte à la santé humaine et à l'environnement si les déchets ne sont pas correctement gérés. Déposez votre équipement uniquement comme indiqué par vos lois locales, et dans un centre de recyclage. L'emballage de ce produit est marqué du symbole du recyclage. En tant qu'utilisateur final, il est important que vous déposiez l'emballage dans un centre de recyclage. De cette façon, vous contribuez à garantir que le matériau est recyclé dans le respect de la loi et de l'environnement.

6. Garantie et Service

LES CONDITIONS D'ACHAT DES PRODUITS SOUNDBOKS DÉFINISSENT LES TERMES DE LA GARANTIE POUR DÉFAUTS ET CONFORMITÉ, ET UNE ÉVENTUELLE GARANTIE COMMERCIALE SUPPLÉMENTAIRE ACCORDÉE PAR SOUNDBOKS. VEUILLEZ CONSULTER LES CONDITIONS GÉNÉRALES POUR LES CONSOMMATEURS (B2C) ET POUR LES PROFESSIONNELS (B2B) À L'ADRESSE (LIEN/URL). DES

CONDITIONS SPÉCIFIQUES S'APPLIQUENT EN CAS D'UTILISATION DU PRODUIT POUR UNE ACTIVITÉ LOCATIVE. LES DROITS DÉCRITS DANS LES GARANTIES, LEURS CONDITIONS, LIMITATIONS ET RECOURS SONT SPÉCIFIÉS DANS LES PRÉSENTES CONDITIONS GÉNÉRALES. NOUS VOUS CONSEILLONS DE LIRE NOS TERMES ET CONDITIONS. NOUS RAPPELONS AUX CONSOMMATEURS RÉSIDANT DANS L'UE QU'ILS ONT DROIT À UNE GARANTIE LÉGALE.

Comment obtenir un service de garantie ou faire une demande de garantie :

En Europe :

Contactez SOUNDBOKS ApS, Esromgade 15, 2200 Copenhague N, Danemark, CVR n° 36457597 ; Téléphone : +45 78 75 03 06 ; Courriel : info@SOUNDBOKS.com.

Contactez le prestataire de services et suivez ses procédures.

Aux États-Unis et au Canada :

Contactez SOUNDBOKS INC, 1725 Berkeley Street, Santa Monica, CA 90404, USA ; Téléphone : +1 (310) 774-0480 ; Courriel : info@SOUNDBOKS.com.

Contactez le prestataire de services et suivez ses procédures.

7. Limitation de Responsabilité

NOS CONDITIONS GÉNÉRALES DÉCRIVENT VOS SEULS ET UNIQUES RECOURS ET NOTRE ENTIÈRE RESPONSABILITÉ POUR TOUTE VIOLATION DE LA GARANTIE. NOTRE RESPONSABILITÉ SERA LIMITÉE COMME INDIQUÉ DANS NOS CONDITIONS GÉNÉRALES. NOUS VOUS CONSEILLONS DE LIRE NOS TERMES ET CONDITIONS.

Le numéro de série de votre SOUNDBOKS Go se trouve à l'intérieur du compartiment de batterie.



8. Conformité

UE, ROYAUME-UNI



Par la présente, SOUNDBOKS ApS, fabricant des enceintes SOUNDBOKS Go, déclare que cette SOUNDBOKS Go est conforme aux principales exigences et autres dispositions pertinentes qui s'ensuivent sur la directive de conformité UE. Directive basse tension de l'Union européenne 2014/35/EU ; Directive CEM 2014/30/UE de l'Union européenne ; Directive européenne sur les équipements radio (RED) 2014/53/EU ; Directive 2009/125/CE de l'Union européenne sur l'écoconception liés à l'énergie ; Directive DEEE de l'Union européenne 2012/19/EU ; Directive 2011/65/EU de l'Union européenne sur la restriction des substances dangereuses ; Directive 2006/121/CE de l'Union européenne concernant l'enregistrement, l'évaluation, l'autorisation et les restrictions applicables aux substances chimiques (REACH). Ce produit contient des batteries concernées par la directive européenne 2006/66/CE, modifiée par la directive 2013/56, et ne doivent donc pas être jetées avec les déchets ménagers normaux. Veuillez suivre les réglementations locales. Vous pouvez obtenir une copie gratuite de la déclaration de conformité via votre revendeur, votre distributeur ou le siège mondial de SOUNDBOKS ApS. Nos informations de contact se trouvent ici : www.SOUNDBOKS.com

UNITED STATES

Importateur :
SOUNDBOKS INC

1725 Berkeley Street
Suite 200

Santa Monica, CA 90404, USA

Cet appareil est conforme à la section 15 des directives de la FCC. Son utilisation est soumise aux deux conditions suivantes :

- Cet appareil ne doit pas causer d'interférences nuisibles, et
- doit accepter toute interférence reçue, y compris celles susceptibles d'occasionner un fonctionnement inopportun.

Cet équipement a été testé et déclaré conforme aux limites pour un appareil numérique de classe B, conformément à la section 15 des directives de la FCC. Ces limites sont conçues pour assurer une protection raisonnable contre les interférences nocives dans une installation résidentielle.

Cet équipement génère, utilise et peut émettre de l'énergie radiofréquence et, s'il n'est pas installé et utilisé conformément aux instructions, peut provoquer des interférences nuisibles avec les communications radio.

Cependant, il ne peut être exclu que des interférences se produisent dans une installation donnée.

Si cet équipement génère des interférences nuisant à la réception radio ou télévisuelle, ce qui peut être déterminé en éteignant puis en rallumant l'appareil, l'utilisateur est invité à corriger les interférences en appliquant une ou plusieurs des mesures suivantes :

- Réorientez ou déplacez l'antenne réceptrice.
 - Éloignez l'équipement du récepteur.
 - Connectez l'équipement à une sortie située sur un autre circuit que celui auquel le récepteur est branché.
- Contactez votre revendeur ou un technicien radio/TV qualifié pour obtenir de l'aide.

MISE EN GARDE :

Tout changement ou modification non expressément approuvé par le détenteur de cet appareil peut entraîner l'annulation du droit d'utilisation de l'appareil.

Avertissement d'exposition aux radiofréquences (RF)

Cet équipement doit être installé et utilisé conformément aux instructions fournies, et la ou les antenne(s) utilisée(s) pour cet émetteur doivent respecter une distance d'au moins 20 cm avec toute personne, et ne doivent pas être situées à proximité ou fonctionner conjointement avec toute autre antenne ou émetteur. Les utilisateurs finaux et installateurs doivent fournir les instructions d'installation de l'antenne et les conditions de fonctionnement de l'émetteur pour être conformes en matière d'exposition aux RF.

CANADA

Déclaration d'Industrie Canada

Cet appareil contient des émetteurs/récepteurs exempts de licence conformes au(x) norme(s) RSS d'exemption de licence RSS d'Industrie Canada. Son utilisation est soumise aux deux conditions suivantes :

- Cet appareil ne doit pas causer d'interférences nuisibles,
- Cet appareil doit accepter toute interférence reçue, y compris celles susceptibles d'occasionner un fonctionnement inopportun.

Informations sur l'exposition aux radiofréquences (RF)

La puissance de sortie rayonnée de l'appareil sans fil est inférieure aux limites d'exposition aux fréquences radio d'Industrie Canada (IC). Le dispositif sans fil doit être utilisé de manière à réduire au minimum le risque de contact humain en fonctionnement normal. Cet appareil a été évalué et démontré conforme aux exigences d'exposition RF de l'ISED dans des conditions d'exposition à des appareils portables (antennes situées à plus de 20 cm du corps).



La marque et les logos Bluetooth® sont des marques déposées appartenant à Bluetooth SIG, Inc. et leur utilisation est donc soumise à licence.



iPhone® est une marque déposée d'Apple, Inc.
Android™ est une marque commerciale de Google, Inc.

9. Dernières Observations

Nous espérons que vous passerez un excellent moment avec votre enceinte SOUNDBOKS Go. N'hésitez pas à nous contacter si vous avez des questions, des idées, ou pour toute autre remarque. Nous serons ravis de discuter avec vous !

Adresse de l'entreprise :

SOUNDBOKS Inc.
2711 Centerville Road,
Suite 400, Wilmington,
New Castle County, Delaware 19808.
United States of America
+1 (310) 774-0480
info@SOUNDBOKS.com

Pour le reste du monde :

SOUNDBOKS ApS
CVR: 36457597
Esromgade 15, 1107
2200 Copenhagen N
Denmark
+45 78 75 03 06
info@SOUNDBOKS.com



SOUNDBOKS

VISIT:

www.SOUNDBOKS.com
SOUNDBOKS ApS
Esromgade 15, 1107
2200 Copenhagen N,
Denmark

OR SAY HELLO:

info@SOUNDBOKS.com