

VTAP⁵⁰

Installation Guide - VTAP50 Embedded Reader Board

VTAP50 OEM module

Revised May 2023 v1.01

DOT ORIGIN

If you need help to set up or use your VTAP50, beyond what is contained in this Installation Guide, then please contact our support team.

Email: vtap-support@dotorigin.com

Download the latest documentation and firmware from <https://vtapnfc.com>

Telephone UK and Europe: +44 (0) 1428 685861

Telephone North America and Latin America: +1 (562) 262-9642

If you have any feedback on setting up or using your VTAP50 or this documentation, then please contact our support team. The product is constantly being reviewed and improved and we value feedback about your experience.

Copyright 2023 Dot Origin Ltd. All rights reserved.

No part of this Installation Guide may be published or reproduced without the written permission of Dot Origin Ltd except for personal use. This Installation Guide relates to correct use of the VTAP50 only. No liability can be accepted under any circumstances relating to the operation of the user's own PC, network or infrastructure.

Dot Origin Ltd

Unit 7, Coopers Place Business Park, Combe Lane, Wormley

Godalming GU8 5SZ United Kingdom

+44 (0) 1428 685861

Contents

| | |
|---|-----------|
| 1 Using this guide | 1 |
| 2 How the VTAP50 works | 2 |
| 2.1 Default operation on factory settings | 3 |
| 3 Mechanical installation | 4 |
| 3.1 Power | 4 |
| 3.2 Environment | 4 |
| 3.3 Mounting points | 5 |
| 3.4 Optional captive cable connection - RS232 and USB | 6 |
| 3.5 Optional FFC Connector - USB and TTL | 8 |
| 3.6 Optional external LED | 9 |
| 4 Module integration instructions | 11 |
| 4.1 Applicable FCC rules | 11 |
| 4.2 Specific operational use conditions | 11 |
| 4.3 RF exposure considerations | 11 |
| 4.4 Antennas | 12 |
| 4.5 Label and compliance information | 12 |
| 4.6 Information on test modes | 12 |
| 4.7 Additional testing requirements | 12 |
| 5 Hardware lock to disable USB mass storage device | 13 |
| 6 Disposal | 15 |

Safety instructions



WARNING: INTENDED USE

The VTAP50 equipment is intended for use by suitably qualified integrators, who will integrate the VTAP50 OEM module (PCB) into their own hardware, without any changes or modifications to the VTAP50 OEM module device. (An optional enclosure can be supplied.) Components mounted on the VTAP50 PCB are not user-serviceable. Product safety has been tested to comply with IEC 62368-1.



WARNING: ESD PRECAUTIONS

We recommend careful handling and storage of Electrostatic Sensitive Devices (ESDs) during installation. The VTAP50 OEM module PCB should always be protected by static shielding bags for shipping or storage.



WARNING: POWER SUPPLY

Use either a MicroUSB to USB cable, **or** the optional captive cable, if any, to connect the VTAP50 OEM module PCB to a PC. (**Never** connect both at the same time).

EMC emissions and immunity certifications are only valid when using the VTAP50 OEM module with the supplied cable.

**WARNING: FCC COMPLIANCE**

This device complies with part 15 of the FCC Rules. Operation is subject to the following two conditions:

- (1) This device may not cause harmful interference, and
- (2) this device must accept any interference received, including interference that may cause undesired operation.

NOTE: This equipment has been tested and found to comply with the limits for a Class B digital device, pursuant to part 15 of the FCC Rules. These limits are designed to provide reasonable protection against harmful interference in a residential installation.

This equipment generates, uses and can radiate radio frequency energy and, if not installed and used in accordance with the instructions, may cause harmful interference to radio communications. However, there is no guarantee that interference will not occur in a particular installation.

If this equipment does cause harmful interference to radio or television reception, which can be determined by turning the equipment off and on, the user is encouraged to try to correct the interference by one or more of the following measures:

- Reorient or relocate the receiving antenna.
- Increase the separation between the equipment and receiver.
- Connect the equipment into an outlet on a circuit different from that to which the receiver is connected.
- Consult the dealer or an experienced radio/TV technician for help.

Changes or modifications not expressly approved by the party responsible for compliance could void the user's authority to operate the equipment.

This equipment complies with FCC radiation exposure limits set forth for an uncontrolled environment. This equipment should be installed and operated with a minimum distance of 20 cm between the radiator and a human body.

If the identification number is not visible when the module is installed inside another device, then the outside of the device into which the module is installed must also display a label referring to the enclosed module, Contains FCC ID: 2A282-VTAP50.

Co-location of this module with other transmitters that operate simultaneously are required to be evaluated using the multi-transmitter procedures.

The host integrator must follow the integration instructions provided in this document and ensure that the composite-system end product complies with the requirements by a technical assessment or evaluation to the rules and to KDB Publication 996369.

The host integrator installing this module into their product must ensure that the final composite product complies with the requirements by a technical assessment or evaluation to the rules, including the transmitter operation and should refer to guidance in KDB 996369.



WARNING: ISED COMPLIANCE

This device contains licence-exempt transmitter(s) that comply with Innovation, Science and Economic Development Canada's licence-exempt RSS(s). Operation is subject to the following two conditions:

- (1) This device may not cause interference, and
- (2) this device must accept any interference, including any interference that may cause undesired operation of the device.

L'émetteur exempt de licence contenu dans le présent appareil est conforme aux CNR d'Innovation, Sciences et Développement économique Canada applicables aux appareils radio exempts de licence. L'exploitation est autorisée aux deux conditions suivantes :

- (1) L'appareil ne doit pas produire de brouillage;
- (2) L'appareil doit accepter tout brouillage radioélectrique subi, même si le brouillage est susceptible d'en compromettre le fonctionnement.

If the identification number is not visible when the module is installed inside another device, then the outside of the device into which the module is installed must also display a label referring to the enclosed module, Contains IC: 30458-VTAP50.

Si le numéro d'identification n'est pas visible lorsque le module est installé à l'intérieur d'un autre appareil, alors l'extérieur de l'appareil dans lequel le module est installé doit également afficher une étiquette faisant référence au module fourni, Contient IC : 30458-VTAP50.

1 Using this guide

This guide is for first-time users of the VTAP50 OEM module.

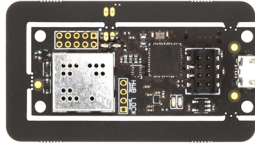


Figure 1-1 VTAP50 reader board

It contains the information you need about your VTAP50 hardware.

Consult the VTAP Configuration Guide for more about configuration and maintenance features, including how to update the firmware on your VTAP50 unit, when a new release is available. The firmware on a VTAP50 functions in exactly the same way as that used on a VTAP100, so you can refer to VTAP100 configuration guides.

If you need help beyond what is contained in this guide please contact vtap-support@dotorigin.com.

2 How the VTAP50 works

With the VTAP50 OEM module connected to a PC, simply tap your smartphone against the VTAP50. Your mobile NFC pass will be read and data sent to the connected PC.

Of course, the data can only be read if your phone contains a mobile NFC pass, which has been issued in connection with the Merchant ID(s)/Collector ID(s) and key(s) that are known to the VTAP50. The unit comes with default values, so that you can test **Default operation on factory settings** before you begin customising any settings.

When the VTAP50 OEM module is connected to a computer it appears as a generic mass storage device (like a memory stick). To configure your VTAP50, you simply edit or create text files. These will be read automatically, and control the operation of the VTAP50. Consult the VTAP Configuration Guide for more detail. The firmware on a VTAP50 functions in exactly the same way as that used on a VTAP100, so you can refer to VTAP100 configuration guides.

By default the VTAP50 is fully upgradable in the field. However, the VTAP50 can be locked in software or hardware, before deploying the unit, so that operation is no longer easily changed.

2.1 Default operation on factory settings

Before anyone changes the configuration from its default, you can confirm that the unit is working.

These steps demonstrate that the hardware can detect and interact with an OriginPass mobile NFC pass, which is ready to work with the default configuration of your VTAP50.

1. Obtain an OriginPass from Dot Origin by visiting <https://originpass.com/VTAP/> and add it to Google or Apple Wallet. (You will require a username and password - contact vtap-support@dotorigin.com to get these.)
2. Connect the VTAP50 to your PC, using a USB cable.
3. Open a text editor, such as Windows Notepad.
4. When you tap the OriginPass on the VTAP50:
 - Pass contents will be displayed in the open text editor.
 - Your smartphone may signal with a buzz or beep.

Note: Some Android phones will only interact if their screen is on, although it does not need to be unlocked. You may need to enable NFC in the settings for the smartphone.

Note: If the pass detected does not match the key and ID on the VTAP, or is moved away too quickly to be read, the pass contents displayed may be an 8 digit random hex string, such as '08E22AC1', different on each presentation. OriginPass contents will be a consistent string, such as '3~ffymeK9f_mziYtA6~53999301628695~Valued'. Any separator, such as '~' or '|', will depend on your keyboard language settings.

Note: If local security settings prevent or limit the use of removable storage devices, or the connection of additional keyboards, an administrator may need to alter those permissions.

3 Mechanical installation

The VTAP50 unit for OEM integration comprises a PCB with an integral antenna around the perimeter of the board.

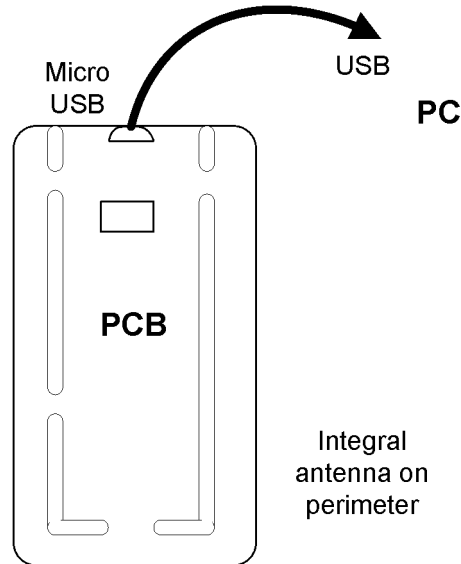


Figure 3-1 VTAP50 components - v1 or v2 Hardware



WARNING: Observe all Safety instructions when installing the VTAP50 PCB.

3.1 Power

Connect the PCB to a PC using either a MicroUSB to USB cable or the optional captive cable (see section [3.4](#)).

The VTAP50 is rated at 5V DC (typ. 110mA, max 150mA) for power over USB.

3.2 Environment

The VTAP50 must be stored and operated under the following conditions:

- Ambient temperature -25 to +70°C (-13 to 158°F)
- Humidity 0 to 95% RH non-condensing
- Pressure 86-106kPa

3.3 Mounting points

The PCB has 2.7mm diameter mounting holes for fixing the unit. Use 2-4 small nuts and bolts to mount the board securely.

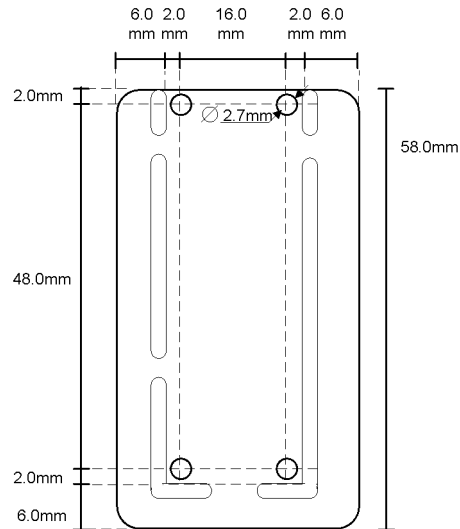


Figure 3-2 VTAP50 PCB mounting holes - v1 or v2 Hardware

The user's smartphone should be able to tap within 10mm of the antenna on the PCB. The antenna position should be clearly marked and easily accessed, so that users can position their smartphone appropriately. Be aware that antennas are positioned differently in different makes of smartphone. Apple iPhones often have antennas near the top and Android phones are more likely to have an antenna in the middle.

3.4 Optional captive cable connection - RS232 and USB

The PCB has a special connector J1 (an 8 pin, 2mm pitch header connector) which can be used to attach a captive cable with a matching crimp housing, for RS232 or an alternate USB connection.

The standard connector fitted to the PCB, in most cases, is a Hirose DF11CZ-8DP-2V male header plug with shroud. The matching crimp housing is the Hirose DF11-8DS-2C.

CAUTION: If the J1 connector on your PCB does not include a shroud, to guide the matching wires into place, you can use a wider range of mating connectors. Do please take extra care to ensure your connecting cable is oriented correctly to match the pins.

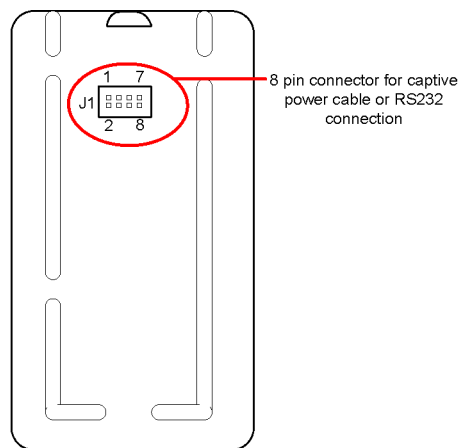


Figure 3-3 VTAP50 captive power cable or RS232 connection -
VTAP50 v1 Rev 2 or v2 Hardware onwards

CAUTION: There are a small number of VTAP50 v1 Rev 1 units in circulation. Please be aware that the pins on v1 Rev 1 hardware are pairwise switched.

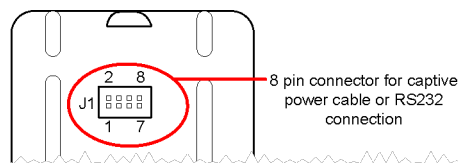


Figure 3-4 VTAP50 captive power cable or RS232 connection -
VTAP50 v1 Rev 1 Hardware only

The connector J1 includes both USB and RS232 signals, as follows:

| Pin | Function |
|-----|------------------------|
| 1 | GND |
| 2 | USB D+ |
| 3 | +5V supply |
| 4 | USB D- |
| 5 | RS232 RXD (input) |
| 6 | Reserved (sense input) |
| 7 | RS232 TXD (output) |
| 8 | Reserved (sense GND) |

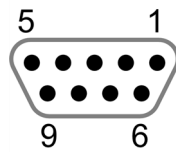


Figure 3-5 Typical RS232 cable

A typical RS232 cable has the following DB9 female connector pinout:

| Pin | Function |
|-----|------------|
| 2 | TXD |
| 3 | RXD |
| 5 | GND |
| 9 | +5V supply |

A PC or terminal RS232 connector is usually DTE (data terminating equipment), typically a male DB9 with TXD on pin 3 and RXD on pin 2. The appropriate connecting cable is then a DCE (data communications equipment) female DB9. TXD and RXD pins are swapped between the DCE and DTE devices, so that the transmit pin on one connects to the receive pin on the other.

The VTAP50 requires a 5V power supply, but not all RS232 devices have 5V on pin 9. Either:

- Disconnect the USB cable before making the serial connection, if power will be provided by J1 (pins 1 and 3) and the serial cable/host.
- Or retain a USB connection in addition to the serial connection, if power is not available from your RS232 device.

Some serial cables have a separate DC 5.5/2.1mm barrel connector to supply power. In these cables, typically, the centre pin is +5V and the outer barrel is GND.

3.5 Optional FFC Connector – USB and TTL

The expansion connector is not fitted as standard, but can be soldered in later.

Note: The Flexible Flat Cable (FFC) expansion connector is only suitable for USB and TTL use from VTAP50 v2 onwards.

Make a TTL 3.3V serial connection to pins 11 and 12 of the expansion header:

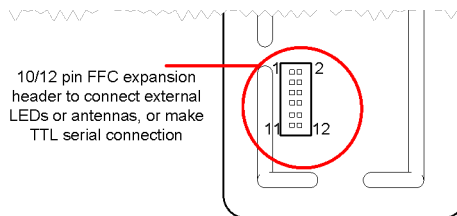


Figure 3-6 Expansion header (where fitted) - VTAP50 v1 or v2

| Pin | Function |
|---------------------|---------------------------------|
| 1 | Remote antenna |
| 2 | Remote antenna |
| 3 | GND |
| 4 | GND |
| 5 | +3V3 (out) |
| 6 | +5V (in/out) |
| 7 | LED (red) / LED serial 5V logic |
| 8 | LED (green) |
| 9 | LED serial 3V3 logic |
| 10 | LED (blue) |
| 11 (v2 boards only) | Rx (serial comms 3V3) |
| 12 (v2 boards only) | Tx (serial comms 3V3) |

The RS232 serial interface on the main 8-pin connector is generally preferred because these TTL signals are not buffered and are not 5V tolerant, so must be used with caution, to interface with other 3.3V circuits only.

Enabling the RS232 serial port in your VTAP configuration will enable these TTL pins as well as the usual RS232 interface.

You can control and configure the VTAP through this serial RS232 TTL interface, either by itself or while retaining the USB keyboard emulation output mode, which can be useful when testing. You can change the way the data is presented (eg with prefixes and postfixes) to suit your target receiving device/application.

3.6 Optional external LED

The VTAP50 v1 board is only fitted with status LEDs, which provide a heartbeat and show some error conditions.

An external LED can be configured to show a default colour permanently, and then automatically change colour (or flash) in response to a successful pass read, successful card read or other error conditions. This is done by changing the `config.txt` file. The LED can also be driven over a command interface.

Alternatively, on VTAP50 v2 boards with firmware from v2.1.11.2, a chain of serial LEDs can be connected to the serial LED connection on the expansion header. A chain of serial LEDs supports more complex LED options and requires a special `leds.ini` file to control their behaviour. This special configuration is explained in the VTAP Configuration Guide.

Note: Where status LEDs are fitted along side a chain or matrix of serial LEDs, they duplicate the behaviour of the first two LEDs in the chain.

The expansion connector is not fitted as standard, but can be soldered in later.

Connect your external LED to the expansion header:

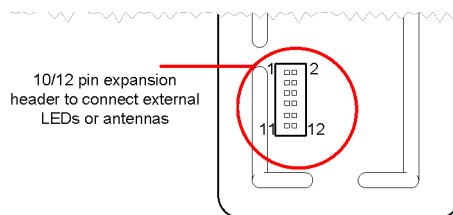


Figure 3-7 Expansion header (where fitted) - VTAP50

| Pin | Function |
|---------------------|---------------------------------|
| 1 | Remote antenna |
| 2 | Remote antenna |
| 3 | GND |
| 4 | GND |
| 5 | +3V3 (out) |
| 6 | +5V (in/out) |
| 7 | LED (red) / LED serial 5V logic |
| 8 | LED (green) |
| 9 | LED serial 3V3 logic |
| 10 | LED (blue) |
| 11 (v2 boards only) | Rx (serial comms 3V3) |
| 12 (v2 boards only) | Tx (serial comms 3V3) |

The external LED outputs are buffered 5V without any current limiting resistors, so you should attach a RGB LED board module that includes built-in current limiting resistors. (We recommend 15mA per LED output at 5V, so the maximum current required is 350mA. External LEDs should be decoupled, with 10 μ F bulk capacitance per LED along the LED path) The VTAP50 can support both common cathode and common anode, by changing the `LEDSelect` setting in the `config.txt` file.

4 Module integration instructions

The VTAP50 OEM module has been designed to comply with the limits for a Class B digital device, pursuant to Part 15 of the FCC Rules. Operation is subject to the following two conditions:

- (1) This device may not cause harmful interference.
- (2) This device must accept any interference received, including interference that may cause undesired operation

These instructions must be followed to maintain the FCC approval for the VTAP50 OEM module, when it is integrated into a host system.

CAUTION: Changes or modifications made to the VTAP50 OEM module, that have not been expressly approved by Dot Origin Ltd could void the user's authority to operate the equipment.

4.1 Applicable FCC rules

The VTAP50 OEM module operates at 13.56MHz and is therefore subject to FCC rules for radio frequency devices. When a pass is presented to the reader, a person comes within 10mm of the device, so the rules relating to 'portable' transmitters apply.

4.2 Specific operational use conditions

The VTAP50 OEM module must be stored and operated under the following conditions:

- Ambient temperature -25 to +70°C (-13 to 158°F)
- Humidity 0 to 95% RH non-condensing
- Pressure 86-106kPa

4.3 RF exposure considerations

This module complies with FCC RF radiation exposure limits set for an uncontrolled environment. It is expected that VTAP50 OEM modules will be mounted in places that make it possible for people to come within 10mm of the unit and it is therefore defined by the FCC as a 'portable' device.

Screened cable should be used, wherever possible, to connect VTAP50 OEM modules to other devices, to avoid interference from other equipment.

The end-user manual for the host equipment, that contains a VTAP50 OEM module, must clearly indicate the operating conditions to be observed, so that the user remains in compliance with current FCC RF exposure guidelines.

4.4 Antennas

The VTAP50 OEM module has been tested with its integrated loop antenna, printed on the PCB. There are no alternative antennas approved for use. The VTAP50 OEM module is designed so that you can carefully break the integrated antenna from the board and connect an external antenna. If an external antenna is attached, the new arrangement would require a new FCC approval.

4.5 Label and compliance information

The integrator must attach a label to the new equipment, hosting the VTAP100 OEM module, which states 'Contains FCC ID: 2A282-VTAP50'.

4.6 Information on test modes

The following test modes are recommended to achieve states of maximum emission levels or susceptibility in the VTAP50 OEM module:

1. VTAP50 OEM module powered on. Communicating with PC over USB. Continuously reading tag.
2. VTAP50 OEM module powered on and tag present, but not communicating with external device.

4.7 Additional testing requirements

The VTAP50 OEM module will only be FCC authorised for use in compliance with the specific FCC transmitter rules listed on the grant. The integrator is responsible for compliance to any other FCC rules that apply to the host, which are not covered by the modular transmitter grant of certification.

The final host product, with the VTAP50 OEM module installed, will still require Part 15 Subpart B compliance testing, to evaluate transmission effects when the VTAP50 OEM module and host equipment operate at the same time. Be aware that additional testing can be required on the final integrated system. We recommend integrators refer to further advice from the FCC OET Knowledge Base, such as [996369 D04 Module Integration Guide v02](#).

5 Hardware lock to disable USB mass storage device

You can lock the VTAP50 so that its firmware and configuration cannot be changed. You can either do this in software, or simply disable the mass storage device in hardware., which is described in the VTAP Configuration Guide

A software lock prevents changes but leaves some files visible. A hardware lock means that the VTAP50 will no longer be detected as a USB mass storage device. (It will still behave as an HID keyboard device and, if enabled, the virtual COM port will behave as a composite USB device consisting of HID keyboard and USB virtual COM port.)

You can use a hardware lock provided the jumper labelled LOCK (close to the MicroUSB connector) remains accessible on a VTAP50 OEM module.

Note: On VTAP50 OEM modules, although the contact is present, connector pins and jumpers will need to be supplied.

Connect a jumper across LOCK on the PCB to lock the device, preventing firmware or configuration changes via the mass storage device. (It may still be possible to update the firmware or configuration via the command interfaces of the virtual COM port or serial ports, if they are enabled.)

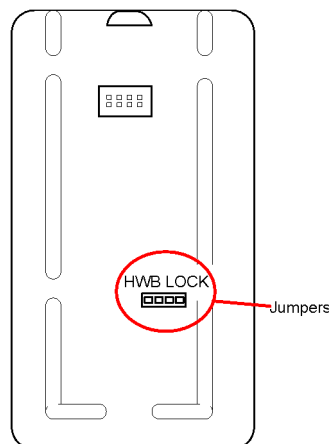


Figure 5-1 Jumper positions on VTAP50 PCB v1 or v2 hardware

Note: If you have a VTAP100 PCB version 3a or earlier the connections will be different, please **contact us** for manuals specific to your hardware. (If you are not sure which version PCB you have just check BOOT.TXT.)

When you start the VTAP50, the presence of this jumper means the connected PC will not detect a USB mass storage device. The VTAP50 will only be detected by the PC as a keyboard (or keyboard and virtual COM port).

At any time you can remove the jumper across LOCK. When you restart the VTAP50, it will be detected as a USB mass storage device and you will be able to make firmware or configuration changes again.

6 Disposal

For safety and sustainability, it is the responsibility of the integrator to ensure that when equipment containing a VTAP50 reaches the end of its life, it is recycled in accordance with WEEE Regulations within the EU.



VTAP50 (PCB and cables) should not be disposed of in general waste. If you wish to discard electrical and electronic equipment (EEE), please contact your supplier for further information.

