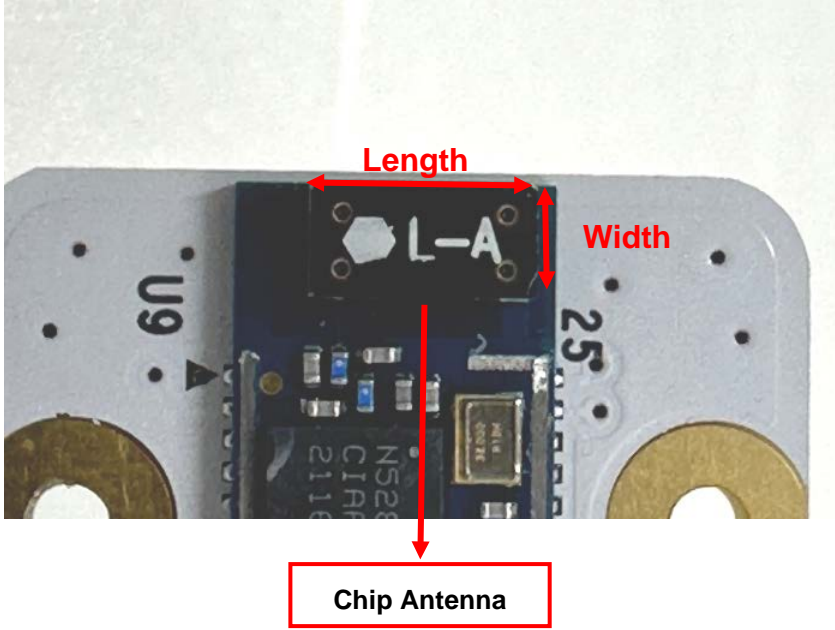


Antenna Information

Item	Contents
Antenna Type	Chip Antenna
Antenna peak gain	1.99 dBi
Manufacturer / Model name	DIT Co. / -
Address of manufacturer	24 Block 1 Lot, 451, Nonhyeon-dong, Namdong-gu, Incheon, 21634, Korea
Test Laboratory	DIT Co.
Antenna Length	0.4 cm
Antenna Width	0.2 cm



Bluetooth Chip Antenna For ISM 2.4 GHz Applications

info@ditok.co.kr
+82-2-6406-5590

◆ Part number : AHSBTF0402-L00

Specification

Frequency	2400 ~ 2485 MHz
VSWR	2.0 max
Peak Gain	1.9 dBi min
Radiation Pattern	Omni-directional
Input Impedance	50 ohm

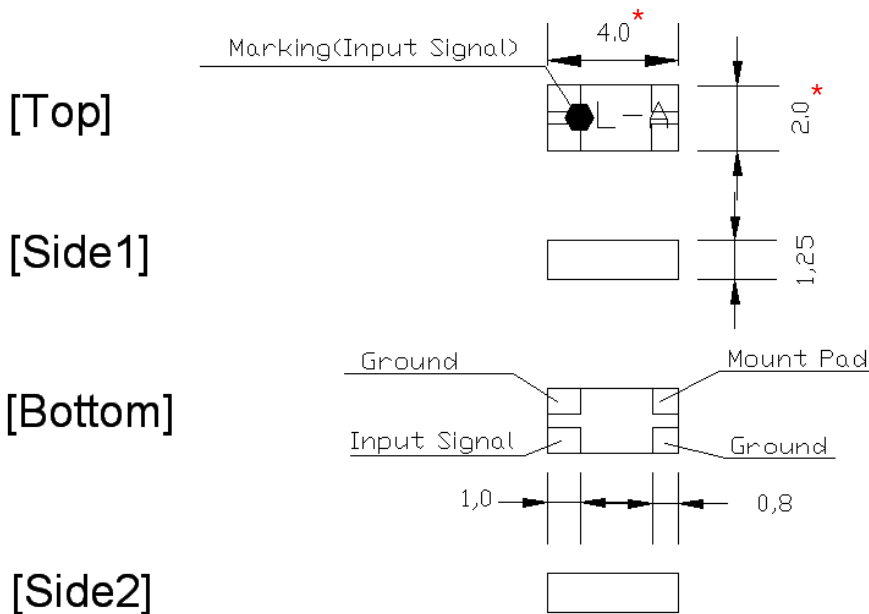
<Typical Test Board>

- Ground size : 37 X 42 mm

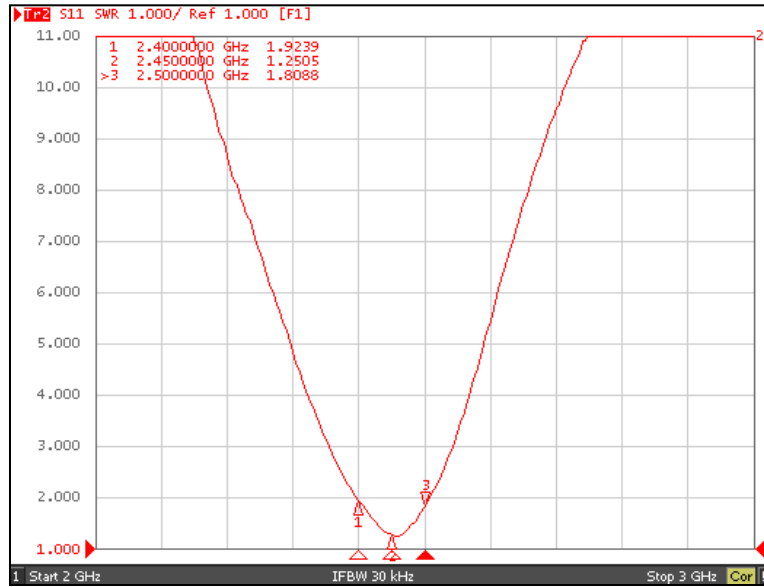
Dimensions

Size: 4(L) by 2(w) by 1.25(t) mm

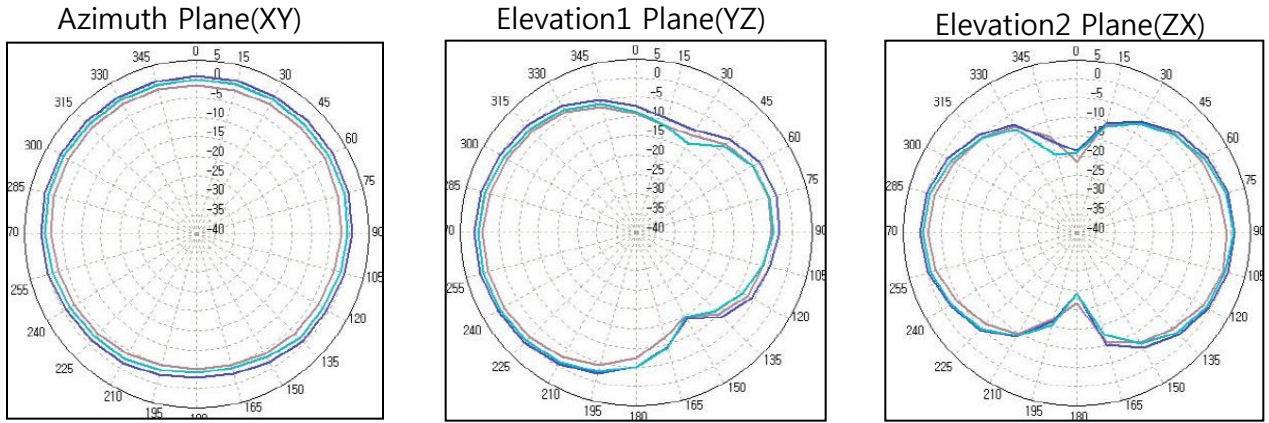
(Tolerance : ± 0.1 mm(* : -0.0 ~ +0.2mm))



VSWR on Evaluation Board



Gain on Evaluation Board (2D)

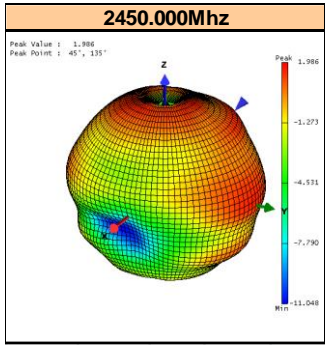


(unit : dBi)

Frequency (MHz)	Azimuth Plane(XY)	Elevation1 Plane(YZ)	Elevation2 Plane(ZX)
	Peak Gain	Peak Gain	Peak Gain
2400	-1.0	-0.7	-0.8
2450	1.4	1.3	1.0
2500	0.3	0.5	0.7



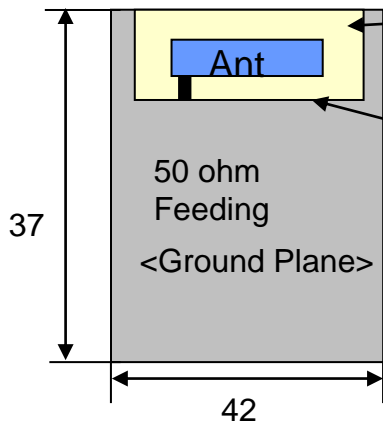
Gain on Evaluation Board (3D)



(unit : dBi)

Frequency (MHz)	3D Data	
	Peak Gain	Avg. Gain
2400	-0.4	-3.3
2450	1.9	-1.0
2500	1.0	-1.8

Typical Test Board



No ground area

1.2 mm gap

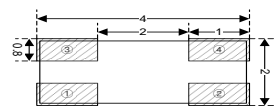
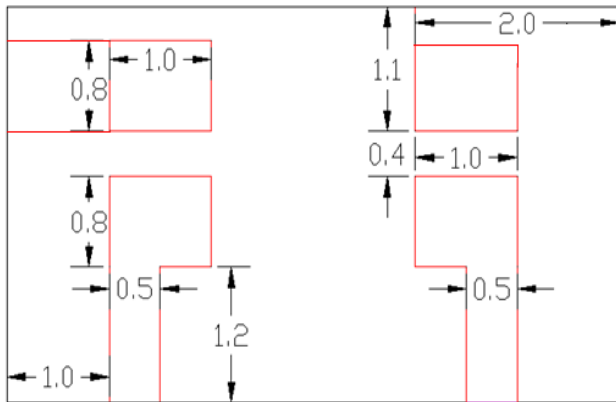
from ground

Matching circuit added in the feeding line

- T-type : series + shunt

- π -type : shunt + series + shunt

Recommended Pad Layout



- 1: Input Pad
- 2: Ground Pad
- 3: Ground Pad
- 4: Non-Contact (For SMT)

