

## IMPORTANT SAFETY INSTRUCTIONS

### READ ALL INSTRUCTIONS CAREFULLY BEFORE USE.

- This device is intended for personal care use only and not for medical or commercial purposes.
- This appliance is not intended for use by persons (including children) with reduced physical, sensory or mental capabilities, or lack of experience and knowledge, unless they have been given supervision or instruction concerning use of the appliance by a person responsible for their safety.
- Children should be supervised to ensure that they do not play with the device.
- Cleaning and maintenance should not be conducted by children.

### DANGER - To reduce the risk of electric shock:

- Never use pins or other metallic fasteners with this device.
- Do not use the device with wet hands or submerge the device in water, or any liquid.

### WARNING - To reduce the risk of burns, fire, or injury to persons:

- Use consult a doctor before use if you fit into any of the following user groups:
  - Persons who have undergone eye surgery or eye conditions such as glaucoma, cataract, and retinal detachment
  - The elderly
  - Pregnant or postpartum women
  - Persons allergic to suede or milk fiber
  - Persons with skin infections, sensitivity, redness, and/or burns on the skin
  - Persons with any swelling or wound around the eye area
  - Persons using a pacemaker or other implantable medical devices
  - Persons with a heart condition, malignant tumors, or other serious health conditions
  - Persons undergoing medical treatment
  - Persons with high or abnormal blood pressure
- Remove contact lenses, glasses, false eyelashes, hairpins, and any other accessories before use.
- If you experience any discomfort during use, stop using the device immediately.

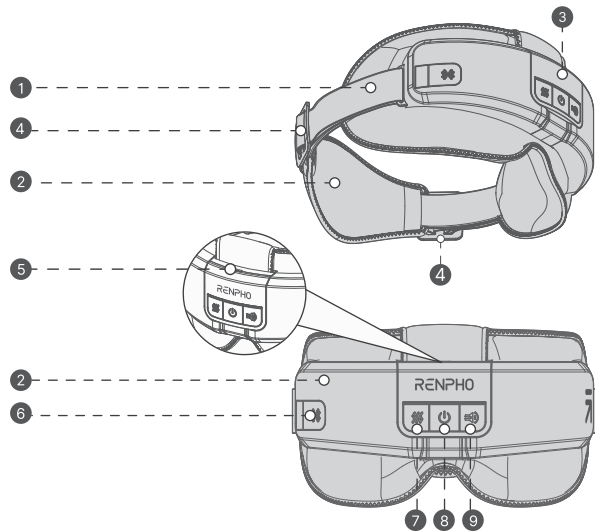
- Do not use the device under blankets, pillows, or any other object that can cause excessive heating.
- Do not use the device if it is not working properly, has been damaged, or dropped into water.
- Do not use the device while driving, walking, or running.
- Only use the charger (DC 5V 2A, not included) to recharge the device.
- Avoid contact with sharp objects.
- Be careful when using heated surfaces, as they may cause serious burns. Do not use over insensitive skin areas or on persons with poor circulation. Children or incapacitated persons should not use heat function unattended.
- High temperatures may cause burns to occur regardless of the control setting. Do not use the device on infants or persons who are with disabilities or unconscious. Check frequently where the skin is in contact with the heated area to reduce the risk of blistering.
- This device contains a non-replaceable battery. When the battery reaches its end, the device should be properly disposed of.
- Do not expose the device or battery to excessive temperatures.

### SAVE THESE INSTRUCTIONS

## WHAT'S IN THE BOX

Eyeris Masc x1  
 USB-C Charging Cable x1  
 Storage Bag x1

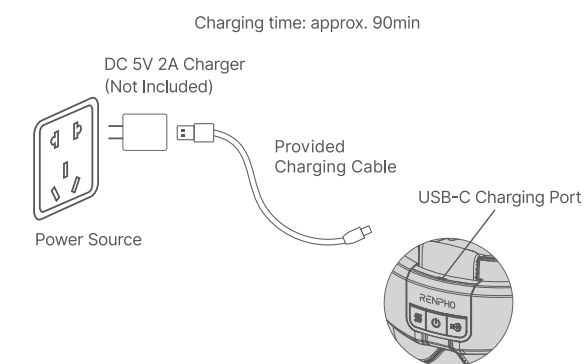
## ABOUT YOUR EYERIS MASC



- Elastic Headband
- Pressure Module
- Main Control Unit
- Adjustable Buckles
- Charging Port
- Pressure Button (Indicator)
- Heat / Silent Mode Button (Indicator)
- Power / Timer Button (Indicator)
- Volume / Next Track Button (Indicator)

## CHARGING YOUR EYERIS MASC

Fully charge the device before initial use. Power indicator turning solid red indicates the device is fully charged.

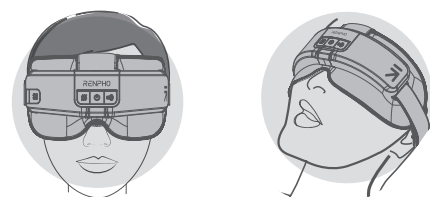
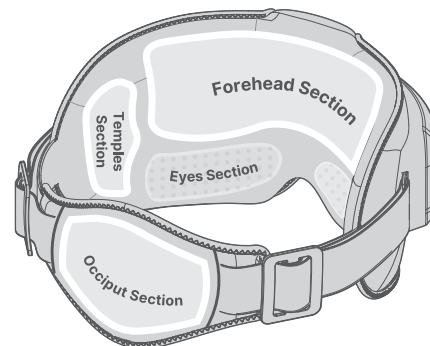


### Note:

- Do not use the device while charging.
- When the power indicator flashes red slowly, followed by a voice broadcast, charge the device.
- When batteries are depleted, the device will broadcast and turn off automatically.

## WEARING YOUR EYERIS MASC

- Before wearing, remove makeup and any eye accessories (e.g. eyeglasses, false eyelashes, etc.).
- Align the nose contour with that of the massager. Wear the device and adjust headband to ensure a comfortable fit and effective light blocking.



### FCC Regulatory Compliance

This device complies with part 15 of the FCC Rules. Operation is subject to the following two conditions:  
 (1) This device may not cause harmful interference, and (2) this device must accept any interference received, including interference that may cause undesired operation.  
 Warning: Changes or modifications not expressly approved by the party responsible for compliance could void the user's authority to operate the equipment.  
 Note: This equipment has been tested and found to comply with the limits for a Class B digital device, pursuant to Part 15 of the FCC Rules. These limits are designed to provide reasonable protection against harmful interference in a residential installation. This equipment generates, uses and can radiate radio frequency energy and, if not installed and used in accordance with the instructions, may cause harmful interference to radio communications.  
 However, there is no guarantee that interference will not occur in a particular installation. If this equipment does cause harmful interference to radio or television reception, which can be determined by turning the equipment off and on, the user is encouraged to try to correct the interference by one or more of the following measures:  
 - Reorient or relocate the receiving antenna.  
 - Increase the separation between the equipment and receiver.  
 - Connect the equipment into an outlet on a circuit different from that to which the receiver is connected.  
 - Consult the dealer or an experienced radio/TV technician for help.

### RF Exposure Compliance

This equipment complies with FCC radiation exposure limits set forth for an uncontrolled environment. This transmitter must not be co-located or operating in conjunction with any other antenna or transmitter.

### ISED Regulatory compliance

This device contains licence-exempt transmitters that comply with Innovation, Science and Economic Development Canada's licence-exempt RSS(s).  
 Operation is subject to the following two conditions:  
 (1) This device may not cause interference.  
 (2) This device must accept any interference, including interference that may cause undesired operation of the device.

Le présent appareil est conforme aux CNR d'Industrie Canada applicables aux appareils radio exempts de licence. L'exploitation est autorisée aux deux conditions suivantes:  
 (1) L'appareil ne doit pas produire de brouillage, et (2) l'utilisateur de l'appareil doit accepter tout brouillage radioélectrique subi, même si le brouillage est susceptible d'en compromettre le fonctionnement.  
 This equipment complies with IC RSS-102 radiation exposure limits set forth for an uncontrolled environment.  
 Cet équipement est conforme aux limites d'exposition aux radiations IC CNR-102 établies pour un environnement non contrôlé.

**US Importer: JOICOM CORPORATION**  
 14129 The Merge Street, Building 3 Unit A, Eastvale, CA 92880

**Manufacturer: Shenzhen Ruiyi Business Technology Co., Ltd.**  
 No. 810-C063, 8th Floor, Xiangbin International Financial Centre, No.18, West Free Trade Street, China Special Economic Zone, Qianhai Bay, Shenzhen, Guangdong Province, 518000 China

Made in China

NA1

成品尺寸	90*130mm
材质	铜版纸128g
工艺	无
颜色	黑白印刷
装订方式: 风琴页	

## USING YOUR EYERIS MASC

Button	Manual Control	Voice Broadcast	Indicator
	a. Press and hold to turn on / off the device.	Please close your eyes, relax and enjoy. Goodbye.	Turns solid white. /
	b. Press to select the auto-off timer: 15 min (default) / 20 min / 30 min.	Fifteen minutes. Twenty minutes. Thirty minutes.	/
	a. Press to adjust the warmth level: high heat (118°F / 48°C, default) / no temperature / low heat (113°F / 45°C).	High heat. No temperature. Low heat.	<b>High Heat:</b> Turns solid red. <b>No Temperature:</b> Indicator turns off. <b>Low Heat:</b> Turns solid white.
	b. Press and hold to switch between voice mode and silent mode.	Silent mode. Voice mode.	/
	a. Press to cycle the music volume through level 3 (default) / 4 / 5 / 0 / 1 / 2.	Maximum volume. (Level 5)	/
	b. Press and hold to switch to the next music track.	/	/

### Note:

- Memory function:** The device automatically recalls the last set massage mode, pressure level, built-in music, auto-off timer, and warmth level once turned on again.
- Auto-off timer:** Once the timer is set, the device will operate for the selected duration and then automatically shut off, followed by a voice broadcast.
- In silent mode, the voice broadcast and included music will be disabled. The music playing from your smartphone will be paused but can be resumed through your smartphone.

## CONNECTING TO YOUR PLAYLIST

- Turn on the device and enable wireless setting on your smartphone.
- Search for "R-WME01" via your wireless setting and connect to play your music playlist through the device.
- Once connected successfully, the volume indicator will turn solid blue, followed by a voice prompt.

### Note:

Once paired successfully, the device will be automatically connected to your smartphone next time if the wireless setting is enabled.

## CARE & MAINTENANCE

- Turn off the device and allow it to cool down before cleaning or storing.
- Wipe the device surface with a soft cotton cloth slightly dampened with mild detergent. Do not submerge it in water or use bleach or corrosive cleaners.
- Ensure the device is clean and dry before storing. Store it in a cool, dry place, away from direct sunlight, moisture, heat, and corrosive gases.
- If the device has not been used for over 3 months, charge it periodically to prolong its lifespan.
- Do not disassemble or repair the device by yourself, as this may cause damage and void the manufacturer's warranty.

## TROUBLESHOOTING GUIDE

Problem	Possible Cause	Solution
Device squeezing eyes while massaging.	Forehead section is placed on eyes. The elastic headband is too tight.	Check <b>"WEARING YOUR EYERIS MASC"</b> in page 05. Loosen the adjustable buckle to ensure a comfortable fit.
There is still some air remaining in device's bag.	Remove the device from your head and turn it off.	After turning off the device, wait for 10 seconds before removing from head.
Charging failure / slow charging.	Use a charger with high voltage. Use other types of charging cables.	Use a DC 5V 2A charger (not included). Use the provided charging cable only.
The device can't be connected to smartphone.	The wireless setting on smartphone is disabled. The device is connected to another smartphone. The device is powered off.	Enable wireless setting on your smartphone. Disconnect from another smartphone. Turn on the device.
There is no voice broadcast, no music, or the sound of music is faint.	Silent mode is selected. Connected music is playing at volume level 0 or low music volume level. Music volume level 0 or low music volume level is selected through the device.	Switch to voice mode. Adjust the volume level via your smartphone. Adjust the music volume level.

Problem	Possible Cause	Solution
No heating or insufficient heating.	The heating function is disabled. It takes time to heat up. The device is overheating.	Press the Heat Button to enable the heating function. Allow up to 1 minute to heat up. Allow it to cool down and restart it.
Fail to turn on the device.	Batteries are weak or depleted. Power Button was pressed for only a short duration.	Charge the device. Press and hold the Power Button to turn on the device.
No pressure.	"No pressure" mode is selected.	Press the Pressure Button to adjust the air pressure level.
The device shuts off suddenly.	Batteries are weak or depleted. Auto-off timer is activated.	Charge the device. Restart the device if needed.

**If you encounter any other problems, please contact our customer service.**

## TECHNICAL SPECIFICATIONS

Product Name: Head and Eye Massager  
 Model: R-WME01  
 Input: 5V --- 2A  
 Battery Capacity: 1500mAh 5.55Wh  
 Auto-off Timer: 15 / 20 / 30 min

## WARRANTY POLICY

Your RENPHO product purchase is covered by a one-year limited manufacturer warranty from the date of delivery.

For warranty terms and conditions, please visit :  
<https://renpho.com/pages/warranty-terms-and-conditions>

Note: Product registration is not required for the warranty. If you choose not to register your product, it will not diminish the product warranty.

## CUSTOMER SERVICE

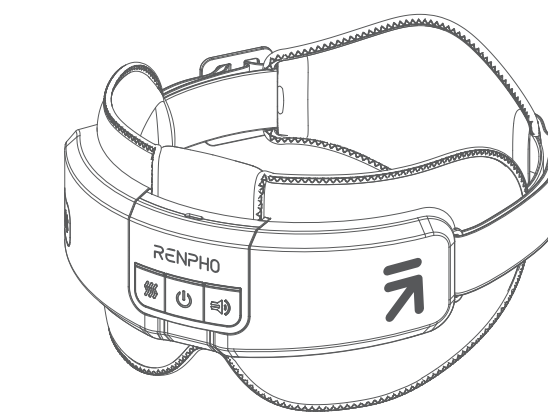
Please feel free to contact us if you have any questions or concerns. RENPHO Customer Service Team guarantees a quick response and hassle-free solutions to any issue you may have within business hours.

**1(844) 417-0149 (US ONLY)**  
 Monday-Friday 9:00AM-4:30PM  
**1800 MY RENPHO (1800 69 7367) (AU ONLY)**  
 Monday-Friday 9:00AM-6:00PM (AEST)  
**support@renpho.com(US&CA)**  
**support-au@renpho.com (AU)**

\*For defective products or the return of items, please contact us with your order number within the specified warranty period. DO NOT dispose of any product parts as they may be required for inspection/repair.

**RENPHO**  
 Smart Health Simplified

## User Manual



Model: R-WME01

**Eyeris Masc**

01

02

03

04

05

06

07

08

09

10

11

12