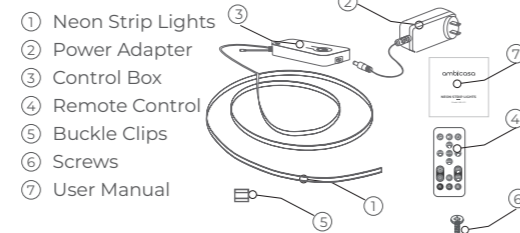


IMPORTANT SAFETY INSTRUCTIONS

1. Use the product with the provided power adapter only. Keep the power adapter and socket away from water during installation and usage.
2. Be careful of static electricity when installing or using the strip lights. Keep the product away from sharp objects or strong corrosive chemicals.
3. Install the strip lights on a clean, dry surface. Remove nails, metal, or other conductive objects that may cause short-circuiting before installation.
4. Do not fold the LED components when bending the strip lights as it may affect the lifespan of the product.
5. Do not install the strip lights near any heat sources or any potentially hazardous sources (e.g., candles, liquid-filled objects).
6. Do not allow children to install the strip lights alone.

01

WHAT'S IN THE BOX



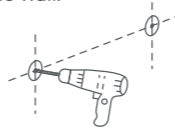
SPECIFICATIONS

Product Name: Neon Light
 Model: AB-L10
 Power Adapter: Input: AC 100-240V; Output: DC 24V
 LED Type: 2835 RGB
 Number of LEDs: 96pcs
 Control Method: Control Box, Remote Control, App
 Length: 5m/16ft
 Water-resistant Level: IP65

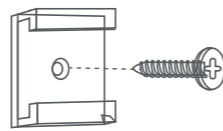
02

SETTING UP YOUR NEON STRIP LIGHTS

a. Drill a hole in the wall.



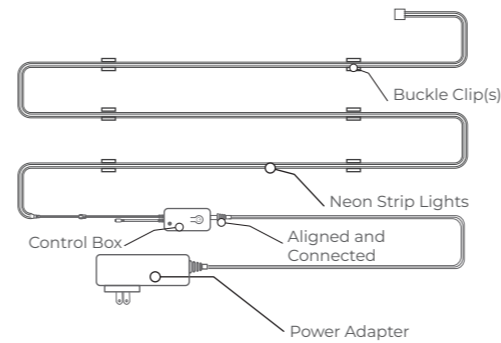
b. Align the clip with the hole and insert the screw to secure the clip in place.



Note: The buckle clips can be installed optionally.

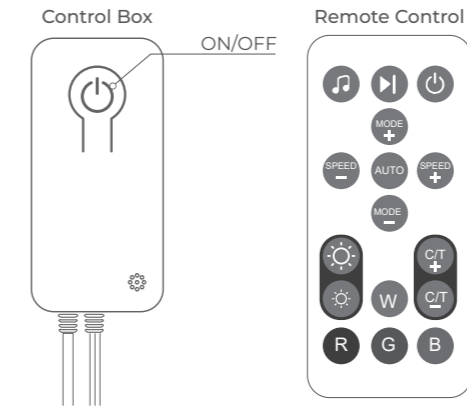
03

c. Wipe the wall surface to make sure it is clean and dry. Then snap the lights with the installed buckle clips and ensure all parts are aligned and connected as below.



04

USING YOUR NEON STRIP LIGHTS



05

Button	Function
	ON/OFF Press to turn on/off the lights.
	Music Press to enable the music mode.
	Play/Pause Press to play/pause the music mode.
	Mode +/- Press to adjust the scene mode.
	Speed +/- Press to speed up or slow down the changing of lights for scene mode.
	Auto Press to enable the auto mode which cycles through all scene modes.
	Brightness +/- Press to adjust the brightness in single-color light mode.
	Press to set the light color directly. W: White; R: Red; G: Green; B: Blue

06

ambicasa

US Importer: JOICOM CORPORATION
 14129 The Merge Street, Building 3 Unit A, Eastvale, CA 92880

Manufacturer: Shenzhen Ruiyi Business Technology Co., Ltd.
 Qianhai Complex A201, Qianwan Road 1, Qianhai
 Shenzhen-Hong Kong Cooperation Zone, Shenzhen, 518000
 P.R.China

Made in China

NA1

PAIRING YOUR NEON STRIP LIGHTS WITH APP

Download

Scan the below QR code or search "Smart Life" to download the app from Apple Store or Google Play.



Pair Your Device

1. Make sure your smartphone is connected to a secure 2.4 GHz Wi-Fi network.
2. Enable Bluetooth on your smartphone.
3. Ensure the neon strip lights are powered off for 10s. Press and hold the button on the control box for 5s to reset the device. The neon strip lights will start to flash to indicate the device has entered pairing mode.

07

4. Turn on the app and tap "Add Device" on the homepage or tap "+" icon in the upper right corner to search the device.
5. Tap to add the device when it is found and follow the on-screen instructions to complete pairing.

WARRANTY POLICY (1-YEAR PERIOD)

The manufacturer's warranty is void under the following circumstances but not limited to:

- Improper or inadequate maintenance or modification.
- Accident, misuse, abuse, contamination, or other external causes.
- The use of unspecified accessories.
- Loss or damage in transit.
- Damages that occur as a result of one's failure to follow the instructions.
- This warranty does not apply to expendable or consumable parts and does not extend to any product from which the serial number has been removed.

08

CUSTOMER SERVICE

We have an award-winning warranty, exchange, and customer service team that guarantees hassle-free solutions to any issue you might have within business hours.

TEL: +1(844) 417 0149 (US ONLY)
 Monday-Friday 9:00AM-4:30PM

Email: support@ambicasa.com

* For defective products or the return of items, please contact us with your order number within the specified warranty period. DO NOT dispose of any product parts as they may be required for inspection/repair.

09

FCC Regulatory Compliance

Warning: Changes or modifications not expressly approved by the party responsible for compliance could void the user's authority to operate the equipment.
 Note: This equipment has been tested and found to comply with the limits for a Class B digital device, pursuant to Part 15 of the FCC Rules. These limits are designed to provide reasonable protection against harmful interference in a residential installation. This equipment generates, uses and can radiate radio frequency energy and, if not installed and used in accordance with the instructions, may cause harmful interference to radio communications. However, there is no guarantee that interference will not occur in a particular installation. If this equipment does cause harmful interference to radio or television reception, which can be determined by turning the equipment off and on, the user is encouraged to try to correct the interference by one or more of the following measures:
 - Reorient or relocate the receiving antenna.
 - Increase the separation between the equipment and receiver.
 - Connect the equipment into an outlet on a circuit different from that to which the receiver is connected.
 - Consult the dealer or an experienced radio/TV technician for help.

This equipment complies with FCC radiation exposure limits set forth for an uncontrolled environment. This equipment should be installed and operated with minimum distance 20cm between the radiator & your body.

10

ambicasa

Neon light

Model: AB-L10