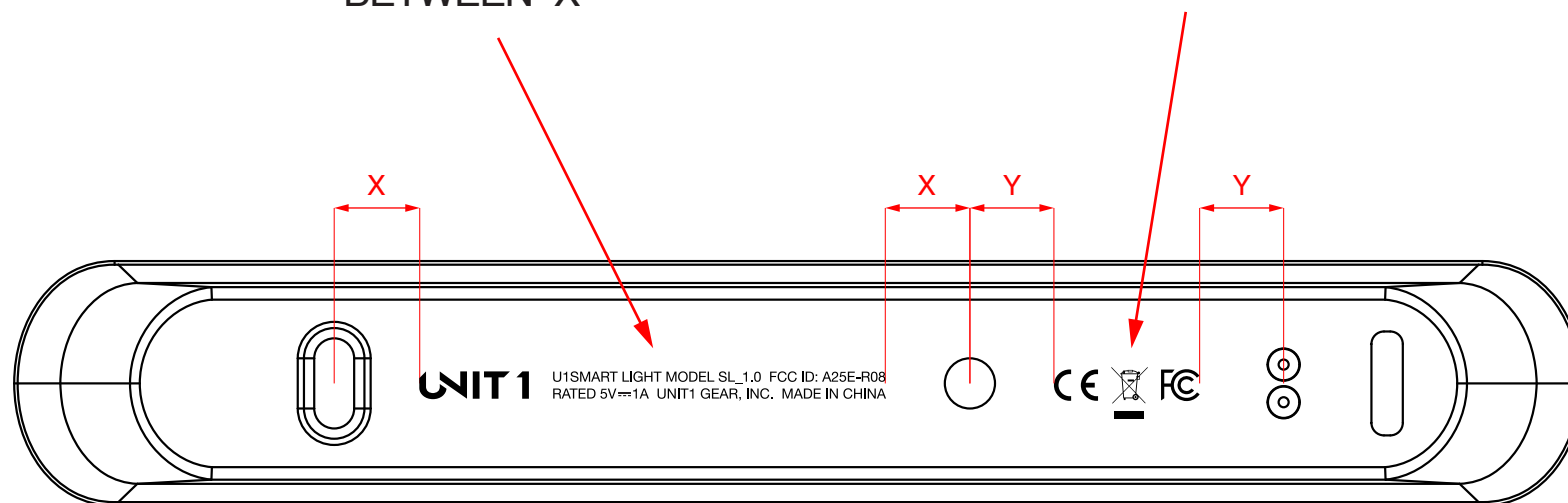


1:1 SCALE

GRAPHIC 1 CENTERED  
BETWEEN "X"

GRAPHIC 2 CENTERED  
BETWEEN "Y"



GRAPHICS NOT IN SCALE