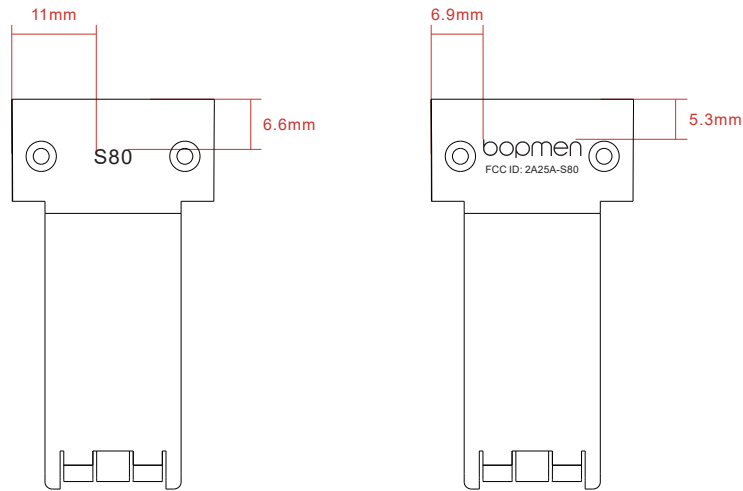
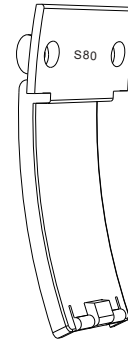
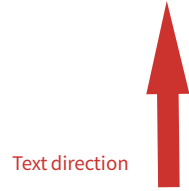
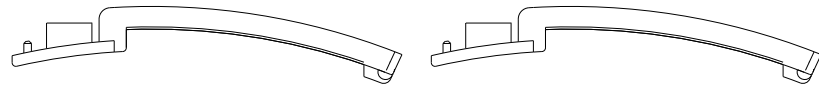


Silk screen Effect sketch Left inner lid

History:



4.8mm
S80 2mm

13mm
bopmen
FCC ID: 2A25A-S80 4.5mm



Silk screen content

Requirements: the contents of radium carving are clear,
The tolerance of shape dimension and position
dimension is $\pm 0.3\text{mm}$

bopmen