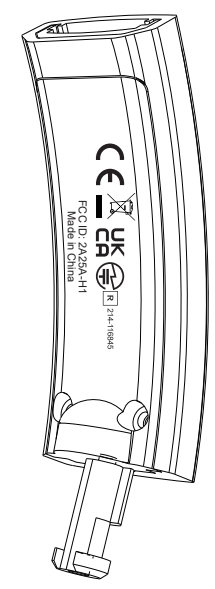
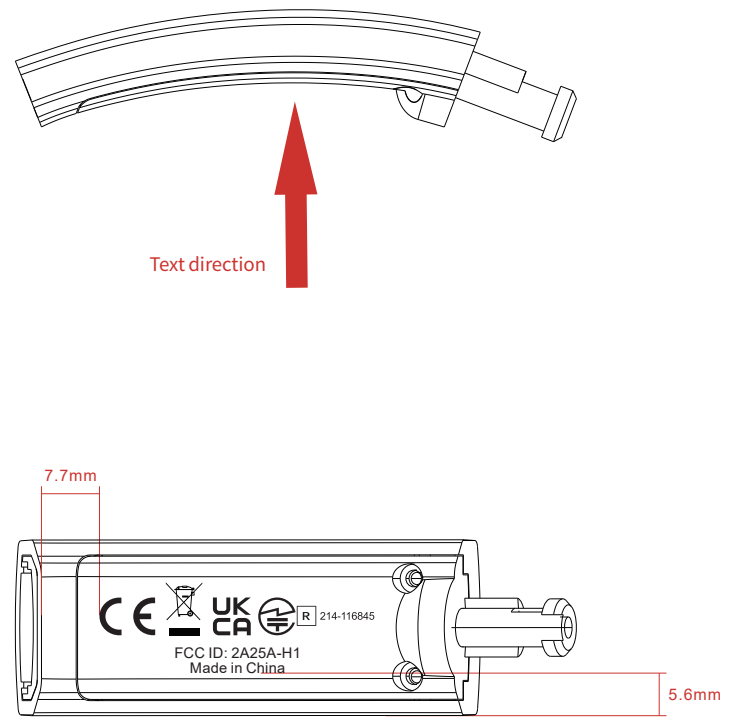
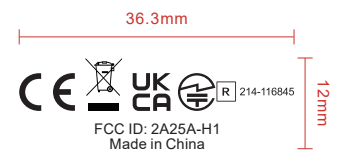


Silk screen Effect sketch Left inner lid

History:



Silk screen Effect sketch



Silk screen content

Requirements: the contents of radium carving are clear,
The tolerance of shape dimension and position
dimension is $\pm 0.3\text{mm}$