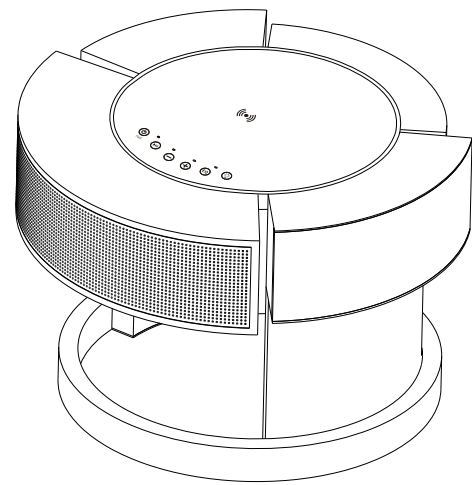


尺寸：单P100x140mm 五折页 128克 双铜

正

MANUAL REV S.T W/BLUETH.SPK M-RVA-TS-0002

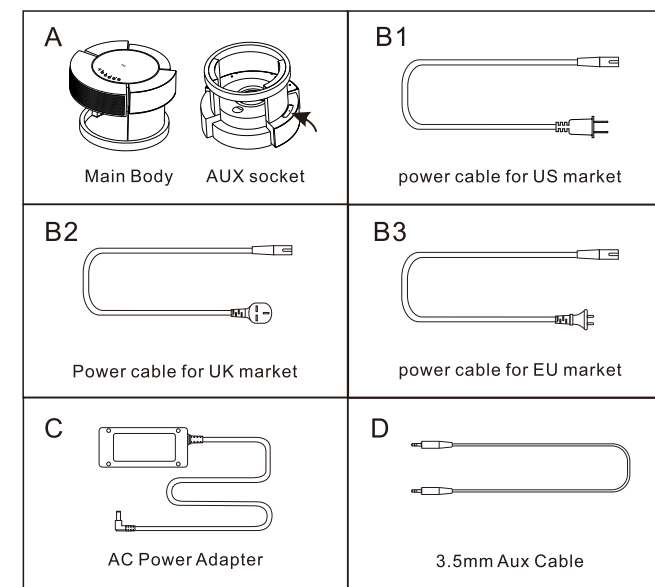


Thank you for purchasing the REV S.T W/BLUETH.SPK. In order to make the best use of this product and to use it safely, please read the manual carefully before use and keep it for future reference.

WARNING

- The table can hold a maximum load of 15Kgs. If items placed on the table exceed 15kg, any damage shall be borne by the customer.
- This product must never be used as a seat, even by children. The customer is responsible for any injury or damage incurred by sitting on the table.
- Please use the original AC adapter (included with this product) for charging. Using a different AC adapter may cause the speaker to be charged slowly or not be charged at all. In extreme cases, fire, injury, or damage can occur.

What is in the box



1

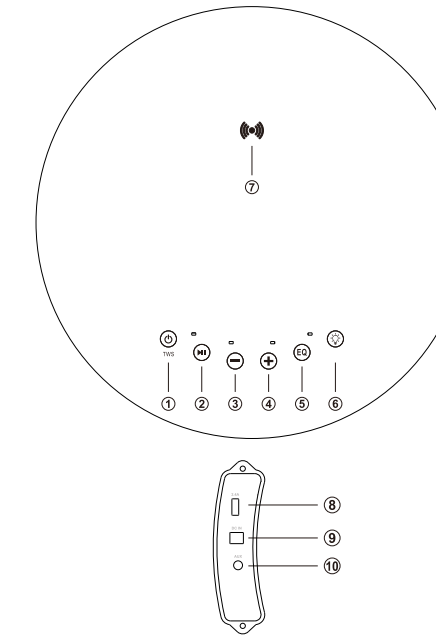
Specifications

2.1 CH Bluetooth Table Speaker
Bluetooth version: BT 5.0
Drive units: 6.5" 4Ω 40W x 1, 2.75" 8Ω 15W x 2, ϕ31mm 6Ω 10W x 2
RMS: 65W (15W*2 + 35W)
Bluetooth frequency: 2.402-2.480GHz
Frequency range: 45Hz-18KHz
S/N: ≥75dB
Separation ratio: ≥55dB
Working voltage: DC 18V ≍ 3.5A
USB output: 5V ≍ 2.4A
Wireless Charging: 5W (5V ≍ 1A)
Power Supply: AC adapter
Input: AC 100-240V~50/60Hz 1.5A

Function

Bluetooth
Aux In
USB charger function
TWS (true wireless stereo)
Wireless charger function
EQ (Movie /Pop/Rock/Normal)
LED Light

Operation of the keys and the back side panel



- Power ON / OFF / TWS
- Play / Pause
- Volume -
- Volume +
- EQ (POP, ROCK, MOVIE)
- LED Light
- Wireless charger symbol
- USB connections (5V ≍ 2.4A)
- DC IN (power socket)
- AUX-in

3

Power ON / OFF

1. Connect the AC adapter with the speaker's DC socket (please make sure you use the original AC adapter that comes with the speaker). You will hear the voice prompt "Power On". The speaker will auto-start and enter Bluetooth mode as default, and announce "Bluetooth, waiting for connection". Smart phones and other devices can now be paired with the speaker.

Warning: Please use the original AC adapter for charging. Using a different AC adapter may cause the charger to be charged slowly or not be charged at all. In extreme cases, fire, injury or damage can occur.

2. Long press the [Power] button, the speaker will be turned on and you will hear the voice prompt "Power On". The speaker will enter Bluetooth mode and announce "Bluetooth, waiting for connection".

3. To turn the speaker off, long press the [Power] button, you will hear the voice prompt "Power Off".

AUX Auto Switch



Insert the AUX cable into the AUX socket. The speaker will switch to AUX mode automatically and the green LED light will come on. Bluetooth mode will be switched off.
After taking out the AUX cable, the Bluetooth mode will switch on automatically and you will hear the voice prompt "Bluetooth, waiting for connection" or "Bluetooth".

4

Bluetooth Connection and Play (LED indicator: the left LED light)



1. When the speaker is in Bluetooth mode, it will automatically switch to pairing state and the blue LED light will flash rapidly. The Bluetooth device name is "Rev BT".

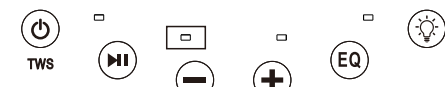
2. Once the speaker has paired with a smart phone via Bluetooth, the speaker will announce "Bluetooth is connected" and the blue LED light will stay lit. If pairing has failed, the blue LED light will flash repeatedly.

3. When playing music after connecting with a smart phone via Bluetooth, you can pause the music by a short press of the [Play/Pause] button. To resume play, short press the [Play/Pause] button again.

4. To switch off the speaker connection with the paired smart phone, long press the [Play/Pause] button. You will hear the voice prompt "Bluetooth disconnected, waiting for connection". If required, another smart phone can then connect to the speaker via Bluetooth (by selecting the device name "Rev BT").

5. Once the speaker has paired with a smart phone via Bluetooth, the smart phone and speaker can work within a distance of 10 meters.

EQ Switch (LED Indicator: the middle LED light)



When the speaker is powered on, the speaker will enter normal mode by default and the LED light will not be illuminated. To enter POP mode, short press the [EQ] button, the RED LED light will be illuminated with the voice prompt "POP". To enter Rock mode, short press the [EQ] button again, the GREEN LED light will be illuminated with the voice prompt

5

"ROCK". To enter Movie mode, short press the [EQ] button again, the LED light will be green and red at the same time, with the voice prompt "Movie". The speaker will enter normal mode when you press the [EQ] button one more time, with the voice prompt "Normal".

Voice Announcements

- POWER ON:** the device is powered on.
- Bluetooth:** Bluetooth mode enabled.
- POWER OFF:** The speaker has been switched off.
- Waiting for connection:** Bluetooth pairing mode has been enabled.
- Bluetooth is connected:** Bluetooth pairing successful.
- Bluetooth disconnected, wait for connection:** The speaker connection with the paired mobile phone has been switched off (long press [Play/Pause] to disconnect Bluetooth).
- Maximum volume:** Maximum volume level reached.

Volume Control

- Press the [+] button to increase the volume, the white LED will flash. There are 31 volume levels in total, the speaker will default to level 10 when turned on. You will hear the voice prompt "Maximum volume" when level 31 is reached.
- Press the [-] button to decrease the volume, the white LED will flash. (The speaker will default to volume level 10 again when next turned on.)

USB Charging

The USB charger port (DC 5V ≍ 2.4A) can charge mobile devices even under Power Off status if the AC adapter is connected with power. When the speaker is turned off and the power cable is also removed, the USB port cannot charge any external devices.

6

Wireless Charging

- If you have a smart phone with inductive charging, you can charge it by placing it onto the inductive symbol for wireless charging.
- The symbol is located on the top of the speaker table.
- Make sure the smart phone is within the charging area. If the charging connection is successful, you will hear a notification sound or a charging symbol will appear on your phone. You can remove your smart phone from the charging area at any time to end the charging process.

TWS function(LED indicator: the right LED light)



- Turn on the first and second speaker, double click the [POWER/TWS] button on one of the two speakers. The speakers will enter team pairing mode, you will hear a notification sound and the orange LED will flash rapidly at the same time. After team pairing, the orange LED of the main speaker will stay illuminated and the LED of the sub-speaker will flash slowly.
- To switch off team pairing, short press the [POWER/TWS] button once.
- If you wish to connect an AUX input whilst using the TWS function to play music out of both teamed speakers, the AUX cable must be connected to the main speaker only. It will not work if inserted into the sub speaker.
Remark: When the speakers are connected using the TWS mode, the EQ function of both speakers can be adjusted by pressing the EQ button on either speaker.

Automatic Power Off

The speaker will automatically switch off after 10 minutes if there is no Bluetooth connection or LINE IN signal. The voice prompt will announce "POWER OFF".

7

LED Light Function (LED indicator: the fourth LED)



1. When the speaker is powered on, the LED light will stay on by default. Long press the [] to turn the LED light off or on.

2. When the speaker is powered off, the LED light will automatically turn off. Long press the [] to turn the LED light on or off.

8

FCC Requirements

Any changes or modifications not expressly approved by the party responsible for compliance could void the user's authority to operate the equipment.

This device complies with Part 15 of the FCC Rules. Operation is subject to the following two conditions:
(1) this device may not cause harmful interference, and
(2) this device must accept any interference received, including interference that may cause undesired operation.

Note: This equipment has been tested and found to comply with the limits for a Class B digital device, pursuant to Part 15 of the FCC Rules. These limits are designed to provide reasonable protection against harmful interference in a residential installation. This equipment generates, uses, and can radiate radio frequency energy, and if not installed and used in accordance with the instructions, may cause harmful interference to radio communications. However, there is no guarantee that interference will not occur in a particular installation. If this equipment does cause harmful interference to radio or television reception, which can be determined by turning the equipment off and on, the user is encouraged to try to correct the interference by one or more of the following measures:

- Reorient or relocate the receiving antenna.
- Increase the distance between the equipment and receiver.
- Connect the equipment into an outlet on a circuit different from that to which the receiver is connected.
- Consult the dealer or an experienced radio/TV technician for help.

This equipment complies with FCC radiation exposure limits set forth for an uncontrolled environment. This equipment should be installed and operated with a minimum distance of 20cm between the radiator & your body. This transmitter must not be co-located or operated in conjunction with any other antenna or transmitter.

反