

User Manual

Model: GK1

# Outdoor Cam

**K1**

EN

DE

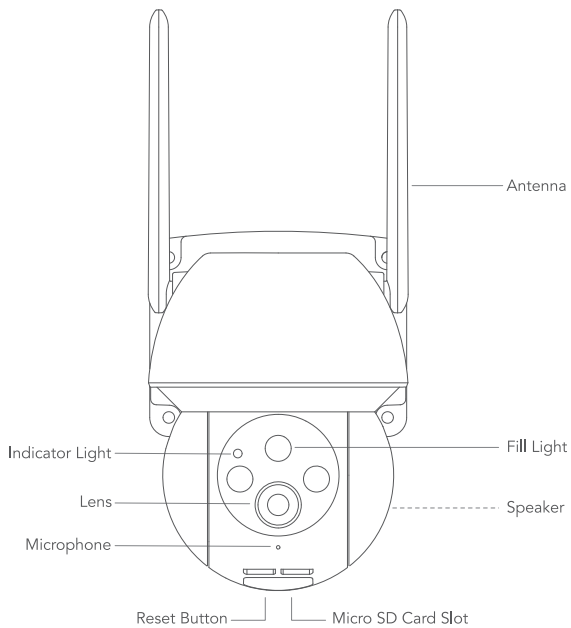
IT

FR

ES

**GNCC**

## Product Overview



**Note:** The SD card slot and reset button sit under the camera lens, open the rubber cover to insert SD card or reset the camera.

## App Function Details

### Details about Camera Settings:

1. **General:** Include Camera Name, Owner, Model, Device ID (UUID), Firmware, IP, MAC.
2. **Audio/Video:** Include Audio Recording, Rotate Image, Night Vision (Three Modes: IR, Color, AUTO)
3. Camera On/Off
4. LED Indicator
5. **Synchronize Time:** Synchronize your camera's time with your mobile phone.
6. **Motion Detection:** Turn on motion detection to receive alert notifications. You can adjust the sensitivity and the schedule of the motion detection.
7. **Sound Detection:** Turn on sound detection to receive alert notifications.
8. **Often Look at Direction:** You can set up 3 areas to receive alert notifications.
9. **Sharing Camera:** Invite people to share the view from your camera via email.
10. **Storage:** You can choose SD card or cloud service to record events.
11. **Supported Third-party Control:** Amazon Alexa, Google Assistant.

### Warm Tips:

- \* The camera can support a class-10 Micro SD Card (Up to 128G, not included), or the paid cloud service (Free trial for the first month).
- \* Do not forget to reset the camera when you insert the SD card.

## Setting up

**Notes:** Before connecting, make sure your phone is under 2.4GHz WiFi and has a good signal. It' s recommended to place the phone and the camera close to the router.

1. Search **osaio** in Google Play or App Store, or scan the QR code below to download the app, then create an account with your email and log in.



iOS/Android

2. Power on the camera, then the indicator turns red, and the camera begins to rotate itself.
3. When the camera stops rotating, open the rubber cover under the lens, press the "Reset" button for 5-7 seconds, then you can hear 3 clicks, you can start to connect it.
4. Click "+" in the APP to add the camera, select K1 Model in the Device List, then follow the instruction on the App to finish the connection.
5. When you hear "Pairing Connect Successfully", then the camera will finish the connection automatically.

### Warm Tips:

If the connection fails, please press the "Reset" button until hearing 3 clicks, then repeat the above steps again.

## Einstellung

**Hinweise:** Stellen Sie vor der Verbindung sicher, dass Ihr Telefon unter 2,4 GHz WLAN ist und ein gutes Signal hat. Es wird empfohlen, das Telefon und die Kamera in der Nähe des Routers zu platzieren.

1. Suchen Sie nach **osaio** in Google Play oder im App Store oder scannen Sie den QR-Code unten, um die App herunterzuladen, erstellen Sie dann ein Konto mit Ihrer E-Mail-Adresse und melden Sie sich an.



iOS/Android

2. Schalten Sie die Kamera ein, dann wird die Anzeige rot und die Kamera beginnt sich zu drehen.
3. Wenn die Kamera aufhört, sich zu drehen, öffnen Sie die Gummiabdeckung unter dem Objektiv, drücken Sie die Taste „Reset “ 5-7 Sekunden lang, dann hören Sie 3 Klicks und können mit dem Verbinden beginnen.
4. Klicken Sie in der APP auf „+ “, um die Kamera hinzuzufügen, wählen Sie das K1-Modell in der Geräteliste aus und befolgen Sie dann die Anweisungen in der App, um die Verbindung abzuschließen.
5. Wenn Sie „Verbindung erfolgreich koppeln “ hören, beendet die Kamera die Verbindung automatisch.

**Hinweis:**

Wenn die Verbindung fehlschlägt, drücken Sie bitte die „Reset “-Taste, bis 3 Klicks zu hören sind, und wiederholen Sie dann die obigen Schritte erneut.

## Impostare

**Note:** prima di connetterti, assicurati che il tuo telefono sia sotto Wi-Fi a 2,4GHz e abbia un buon segnale. Si consiglia di posizionare il telefono e la telecamera vicino al router.

1. Cerca osaiò in Google Play o App Store, oppure scansiona il codice QR qui sotto per scaricare l'app, quindi crea un account con la tua e-mail e accedi.



iOS/Android

2. Accendere la telecamera, quindi l'indicatore diventa rosso e la telecamera inizia a ruotare da sola.
3. Quando la telecamera smette di ruotare, aprire il coperchio in gomma sotto l'obiettivo, premere il pulsante "Ripristina" per 5-7 secondi, quindi si sentono 3 clic, è possibile iniziare a collegarlo.
4. Fare clic su "+" nell'APP per aggiungere la telecamera, selezionare Modello K1 nell'elenco dei dispositivi, quindi seguire le istruzioni sull'app per completare la connessione.
5. Quando si sente "Pairing Connect Successfully", la videocamera terminerà automaticamente la connessione.

### Suggerimenti caldi:

se la connessione non riesce, premere il pulsante "Ripristina" fino a sentire 3 clic, quindi ripetere nuovamente i passaggi precedenti.

## Mise en Place

**Remarques:** Avant de vous connecter, assurez-vous que votre téléphone est sous 2,4 GHz WiFi et a un bon signal. Il est recommandé de placer le téléphone et l'appareil photo près du routeur.

1. Recherchez **osaio** dans Google Play ou App Store, ou scannez le code QR ci-dessous pour télécharger l'application, puis créez un compte avec votre adresse e-mail et connectez-vous.



iOS/Android

2. Allumez l'appareil photo, puis l'indicateur devient rouge et l'appareil photo commence à tourner tout seul.
3. Lorsque l'appareil photo cesse de tourner, ouvrez le couvercle en caoutchouc sous l'objectif, appuyez sur le bouton « Réinitialiser » pendant 5 à 7 secondes, puis vous pouvez entendre 3 clics, vous pouvez commencer à le connecter.
4. Cliquez sur « + » dans l'application pour ajouter l'appareil photo, sélectionnez le modèle K1 dans la liste des appareils, puis suivez les instructions de l'application pour terminer la connexion.
5. Lorsque vous entendez « Jumelage se connecter avec succès », la caméra finit automatiquement la connexion.

### Conseils chauds:

Si la connexion échoue, appuyez sur le bouton « Réinitialiser » jusqu'à entendre 3 clics, puis répétez à nouveau les étapes ci-dessus.



Points de collecte sur [www.quefairedemesdechets.fr](http://www.quefairedemesdechets.fr)  
Privilégiez la réparation ou le don de votre appareil !



## Configuración

**Notas:** Antes de conectarse, asegúrese de que su teléfono tenga al menos de 2.4GHz WiFi y tenga una buena señal. Se recomienda colocar el teléfono y la cámara cerca del router.

1. Busque osaiio en Google Play o App Store, o escanee el código QR a continuación para descargar la aplicación, luego cree una cuenta con su correo electrónico e inicie sesión.



iOS/Android

2. Encienda la cámara, luego el indicador se enciende en color rojo y la cámara comienza a girar.
3. Cuando la cámara deje de girar, abra la cubierta de goma debajo de la lente, presione el botón "Reiniciar" durante 5-7 segundos, luego puede escuchar 3 clics, puede comenzar ya a conectarla.
4. Haga clic en "+" en la aplicación para agregar la cámara, seleccione el modelo K1 en la lista de dispositivos, luego siga las instrucciones en la aplicación para finalizar la conexión.
5. Cuando escuche "Pairing Connect Successfully", la cámara finalizará la conexión automáticamente.

### Consejos prácticos:

Si la conexión falla, presione el botón "Restablecer" hasta escuchar 3 clics, luego repita los pasos anteriores nuevamente.

## Support

Thank you for choosing the GNCC K1 camera and being our valued user!  
We provide a 30-Day Return Policy and 12-Month Warranty Service.  
Any questions about the camera, please contact us via the customer service mail address below.

[oc.support@gncchome.com](mailto:oc.support@gncchome.com)

Follow our social media account to know more details and funny stuff.



YouTube @GNCC HOME  
For Instructional Videos



Instagram @gncc\_home  
For Interactive & Sharing



Facebook Home Page  
@GNCC Home  
For Latest News



Facebook Group  
@GNCC VIP Club  
For Feedback & Promotions

## How to connect Alexa

### Needed:

- \* An Alexa device, Amazon Alexa App or Weblink.
- \* Connect the camera with the app successfully under 2.4 GHz WiFi.

Take app configuration as an example, and the configuration through the web is basically the same.

1. Set up Echo Device with Alexa Amazon APP.
2. Link OSAIO APP to Alexa.
  - 1) Click "MORE" in the hamburger menu, find "SKILLS&GAMES", then click the search box in the upper left corner to search "OSAIO".
  - 2) Select OSAIO and click "ENABLE TO USE".
  - 3) Type your OSAIO account and password, click "LOG IN" to enter. (Remember to choose the right country code.)
  - 4) Choose OSAIO to log in, then click "AUTHORIZATION".
  - 5) After "Your OSAIO account has been successfully linked", then click "CLOSE".
  - 6) Click "DISCOVER DEVICES" and Alexa will take 45 seconds to look for devices to connect...
  - 7) "1 Larkkey camera found and connected" means your camera has been added to Alexa. Then, click "SET UP DEVICE".
  - 8) Click "CHOOSE GROUP", then choose anyone to "ADD TO GROUP".
  - 9) Click "CONTINUE". After "Smart Camera is set up and ready to use", click "DONE" which means all set up.

## FCC Statement

This device complies with part 15 of the FCC Rules. Operation is subject to the following two conditions:

This device may not cause harmful interference.

This device must accept any interference received, including interference that may cause undesired operation.

**NOTE:** This equipment has been tested and found to comply with the limits for a Class B digital device, pursuant to part 15 of the FCC Rules. These limits are designed to provide reasonable protection against harmful interference in a residential installation. This equipment generates, uses and can radiate radio frequency energy and, if not installed and used in accordance with the instructions, may cause harmful interference to radio communications.

However; there is no guarantee that interference will not occur in a particular installation. If this equipment does cause harmful interference to radio or television reception, which can be determined by turning the equipment off and on, the user is encouraged to try to correct the interference by one or more of the following measures:

- Reorient or relocate the receiving antenna.
- Increase the separation between the equipment and receiver.
- Connect the equipment into an outlet on a circuit different from that to which the receiver is connected.
- Consult the dealer or an experienced radio/TV technician for help.

**CAUTION:** To comply with the limits of the Class B digital device, pursuant to Part 15 of the FCC Rules, this device is to comply with Class B limits.

## IC-ID

This device contains licence-exempt transmitter(s)/receiver(s) that comply with Innovation, Science and Economic Development Canada's licence-exempt RSS(s). Operation is subject to the following two conditions: (1) This device may not cause interference. (2) This device must accept any interference, including interference that may cause undesired operation of the device.

L' émetteur/récepteur exempt de licence contenu dans le présent appareil est conforme aux CNR d' Innovation, Sciences et Développement économique Canada applicables aux appareils radio exempts de licence. L' exploitation est autorisée aux deux conditions suivantes: (1) L' appareil ne doit pas produire de brouillage; (2) L' appareil doit accepter tout brouillage radioélectrique subi, même si le brouillage est susceptible d'en compromettre le fonctionnement.

## CE-RED

This product complies with the radio interference requirements of the European Community.

Declaration of Conformity.

Hereby, GNCC declares that this device is in compliance with the essential requirements and other relevant provisions of Directive 2014/53/EU. For the declaration of conformity, visit the Web: <https://www.gncchome.com/>

This product can be used across EU member states.

Due to the used enclosure material, the product shall only be connected to a USB interface of version 2.0 or higher.

The adapter shall be installed near the equipment and shall be easily accessible.

Do not use the Device in the environment at too high or too low temperature, never expose the Device under strong sunshine or too wet environment.

The suitable temperature for -10 C ~ +50 C and accessories is 0°C-40 C

When charging, please place the device in an environment that has a normal room temperature and good ventilation.

It is recommended to charge the device in an environment with a temperature that ranges from 5 C ~ 25 C

RF exposure information: The Maximum Permissible Exposure (MPE) level has been calculated based on a distance of d=20cm between the device and the human body. To maintain compliance with RF exposure requirement, use product that maintain a 20cm distance between the device and human body.

Wi-Fi Operating Frequency Range: 2412~2472MHz ; Wi-Fi Max Output Power: 14.46dBm (ERP)

The following importer is the responsible party (contact for EU matters only)

Importer: OPBC GmbH

Importer Address: Oststr.6-12 40822 Mettmann Germany

User Manual

Model: GK1

# Outdoor Cam

**K1**

EN

DE

IT

FR

ES

**GNCC**

FR **BARQUETTE + ÉTUI**  **BAC DE TRI**  Made in China  
Version 2.0

FR **Cet appareil, ses piles et cordons se recyclent**  **A DÉPOSER EN MAGASIN**  **OU** **A DÉPOSER EN DÉCHÈTERIE** 

Points de collecte sur [www.quefairedemesdechets.fr](http://www.quefairedemesdechets.fr)  
Privilégiez la réparation ou le don de votre appareil !



本设计图纸版权归本公司所有，未经本公司书面同意不得复印。

本图纸应与说明，产品状况，产品结构图及有  
关图纸协调使用，发现任何差异请立即通知设计师。

图档中所有尺寸比例为1:1。  
公差: L(长)\*(宽): +1/-1mm,H(高): ±1mm

### 项目信息

立项时间:

计划时间:

品牌: GNCC

型号: K1

类型: 说明书

版本号: V2.0.2

版本变更描述: 新增EPR

### 技术要求

1. 尺寸: 90\*120mm

4. 装订方式: 风琴折

2. 材质: 120g金太阳双胶

5. 表面处理: /

3. 印刷颜色: K:80

### 设计审核

1. 设计师:

2. 销售确认:

3. 设计经理审核:

4. 项目经理确认:

5. 品牌总监审核:

日期

#### FCC:

Changes or modifications not expressly approved by the party responsible for compliance could void the user's authority to operate the equipment.

#### RF Exposure Statement

To maintain compliance with FCC's RF Exposure guidelines, This equipment should be installed and operated with minimum distance of 20cm the radiator your body. This device and its antenna(s) must not be co-located or operation in conjunction with any other antenna or transmitter.

#### IC:

Radiation Exposure: This equipment complies with Canada radiation exposure limits set forth for an uncontrolled environment; To maintain compliance with IC's RF Exposure guidelines, This equipment should be installed and operated with minimum distance of 20cm the radiator your body. This device and its antenna(s) must not be co-located or operation in conjunction with any other antenna or transmitter.

Exposition aux rayonnements : Cet équipement est conforme aux radiations du Canada limites d'exposition pour un environnement incontrôlé noncé d'exposition RF Pour maintenir le respect des guides d'exposition RF d'IC, cquipment doit être installé et actionné avec une distance minimale de 20cm le radiateur de votre corps. Cet appareil et ses antennes ne doivent pas être co-localisé ou en opération en conjonction avec toute autre antenne ou émetteur.