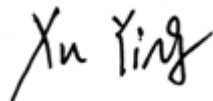


RF TEST REPORT

Applicant	Tag-N-Trac Inc.
FCC ID	2A24I-V03G13J17
Product	Smart Sense Tag
Brand	Tag-N-Trac
Model	ST300-MM
Report No.	R2303A0333-R2
Issue Date	May 29, 2023

TA Technology (Shanghai) Co., Ltd. tested the above equipment in accordance with the requirements in **FCC CFR47 Part 2 (2022)/ FCC CFR 47 Part 24E (2022)**. The test results show that the equipment tested is capable of demonstrating compliance with the requirements as documented in this report.



Prepared by: Xu Ying



Approved by: Xu Kai

TA Technology (Shanghai) Co., Ltd.

Building 3, No.145, Jintang Rd, Pudong Shanghai, P.R.China

TEL: +86-021-50791141/2/3

FAX: +86-021-50791141/2/3-8000

TABLE OF CONTENT

1. Test Laboratory	4
1.1. Notes of the test report.....	4
1.2. Test facility.....	4
1.3. Testing Location	4
2. General Description of Equipment under Test.....	5
2.1. Applicant and Manufacturer Information	5
2.2. General information	5
3. Applied Standards.....	7
4. Test Configuration.....	8
5. Test Case.....	9
5.1. RF Power Output and Effective Isotropic Radiated Power	9
5.2. Radiated Spurious Emission	10
6. Test Results	13
6.1. RF Power Output and Effective Isotropic Radiated Power	13
6.2. Radiated Spurious Emission	16
7. Main Test Instruments	22
ANNEX A: The EUT Appearance.....	23
ANNEX B: Test Setup Photos	24

Summary of measurement results

No.	Test Case	Clause in FCC rules	Verdict
1	RF Power Output and Effective Isotropic Radiated Power	2.1046 24.232(c)	PASS
2	Radiated Spurious Emission	2.1053 / 24.238(a)	PASS
Date of Testing: April 19, 2023 ~ May 7, 2023			
Date of Sample Received: March 28, 2023			
<p>Note: PASS: The EUT complies with the essential requirements in the standard. FAIL: The EUT does not comply with the essential requirements in the standard.</p> <p>All indications of Pass/Fail in this report are opinions expressed by TA Technology (Shanghai) Co., Ltd. based on interpretations and/or observations of test results. Measurement Uncertainties were not taken into account and are published for informational purposes only.</p>			

Only Radiated Spurious Emission is tested for ST300-MM in this report, and because of the change of antenna gain, Effective Isotropic Radiated Power also re evaluated.

Other test items refer to the Module report (Report No.: R2112A1193-R6 for LTE-M Band, and Report No.: R2112A1193-R5 for NB-IoT Band, FCC ID: XMR2022BG772AGL).

1. Test Laboratory

1.1. Notes of the test report

This report shall not be reproduced in full or partial, without the written approval of **TA Technology (Shanghai) Co., Ltd.** The results documented in this report apply only to the tested sample, under the conditions and modes of operation as described herein. Measurement Uncertainties were not taken into account and are published for informational purposes only. This report is written to support regulatory compliance of the applicable standards stated above.

1.2. Test facility

FCC (Designation number: CN1179, Test Firm Registration Number: 446626)

TA Technology (Shanghai) Co., Ltd. has been listed on the US Federal Communications Commission list of test facilities recognized to perform measurements.

A2LA (Certificate Number: 3857.01)

TA Technology (Shanghai) Co., Ltd. has been listed by American Association for Laboratory Accreditation to perform measurement.

1.3. Testing Location

Company: TA Technology (Shanghai) Co., Ltd.
Address: Building 3, No.145, Jintang Rd, Pudong Shanghai, P.R.China
City: Shanghai
Post code: 201201
Country: P. R. China
Contact: Xu Kai
Telephone: +86-021-50791141/2/3
Fax: +86-021-50791141/2/3-8000
Website: <http://www.ta-shanghai.com>
E-mail: xukai@ta-shanghai.com

2. General Description of Equipment under Test

2.1. Applicant and Manufacturer Information

Applicant	Tag-N-Trac Inc.
Applicant address	Executive So.#675, La Jolla, California, United States, 92037
Manufacturer	Chongqing Huiye IoT Technology Co.,Ltd. Shanghai Branch
Manufacturer address	FL.5, Haibo Building 2, No.829, Yishan Rd, Xuhui, Shanghai. 200233

2.2. General information

EUT Description			
Model	ST300-MM		
IMEI	868617060007848		
Hardware Version	QHY004_V1.02_PCB		
Software Version	MCU_02_02_06_00_20361_APP_00_11TEST_LO.bin		
Power Supply	External power supply		
Antenna Type	Internal Antenna		
Antenna Gain	Mode	Frequency(MHz)	Gain(dBi)
	LTE-M/NB-IoT Band 2 LTE-M/NB-IoT Band 25	1850	0.34
		1870	-0.40
		1890	-0.29
1910		0.20	
Test Mode(s)	LTE-M Band 2/25; NB-IoT Band 2/25;		
Test Modulation	(LTE-M) QPSK, 16QAM		
LTE-M Category	M1		
Test Modulation:	BPSK, QPSK		
Category	NB2		
Deployment:	stand-alone		
Sub-carrier spacing:	3.75KHz, 15KHz		
Ntones:	single-tone, multi-tone		
Maximum E.I.R.P	LTE-M Band 2:	24.03 dBm	
	LTE-M Band 25:	24.11 dBm	
	NB-IoT Band 2:	24.05 dBm	
	NB-IoT Band 25:	24.06 dBm	
Rated Power Supply Voltage	12 V		
Operating Frequency Range(s)	Band	Tx (MHz)	Rx (MHz)
	LTE-M Band 2	1850 ~ 1910	1930 ~ 1990
	LTE-M Band 25	1850 ~ 1910	1930 ~ 1990
	NB-IoT Band 2	1850 ~ 1910	1930 ~ 1990
	NB-IoT Band 25	1850 ~ 1915	1930 ~ 1995

Note:

1. The EUT is sent from the applicant to TA and the information of the EUT is declared by the applicant.

3. Applied Standards

According to the specifications of the manufacturer, it must comply with the requirements of the following standards:

Test standards:

FCC CFR 47 Part 24E (2022)

FCC CFR47 Part 2 (2022)

Reference standard:

ANSI C63.26-2015

KDB 971168 D01 Power Meas License Digital Systems v03r01

4. Test Configuration

Radiated measurements are performed by rotating the EUT in three different orthogonal test planes. EUT stand-up position (Z axis), lie-down position (X, Y axis). Receiver antenna polarization (horizontal and vertical), the worst emission was found in position (X axis, vertical polarization) and the worst case was recorded.

All mode and data rates and positions and RB size and modulations were investigated.

Subsequently, only the worst case emissions are reported.

The following testing in LTE-M is set based on the maximum RF Output Power.

Test modes are chosen to be reported as the worst case configuration below for LTE-M Band 2/25:

Test items	Bandwidth (MHz)						Modulation		RB			Test Channel		
	1.4	3	5	10	15	20	QPSK	16QAM	1	50%	100%	L	M	H
RF Power Output and Effective Isotropic Radiated Power	O	O	O	O	O	O	O	O	O	O	O	O	O	O
Radiated Spurious Emission	O	-	O	-	-	O	O	-	O	-	-	-	O	-
Note	1. The mark "O" means that this configuration is chosen for testing. 2. The mark "-" means that this configuration is not testing.													

All modes as Subcarrier Spacing, modulations, Channel were investigated.

Subsequently, only the worst case emissions are reported.

The following testing in NB-IoT is set based on the maximum RF Output Power.

The following testing in different mode is set to detail in the following table:

Test modes are chosen to be reported as the worst case configuration below for NB-IoT Band 2/25

Test items	Deployment mode	Subcarrier Spacing (kHz)		Modulation		Test Channel		
	Stand-alone	3.75	15	BPSK	QPSK	L	M	H
RF Power Output and Effective Isotropic Radiated Power	O	O	O	O	O	O	O	O
Radiated Spurious Emission	O	O	-	-	O	-	O	-
Note	1. The mark "O" means that this configuration is chosen for testing. 2. The mark "-" means that this configuration is not testing.							

5. Test Case

5.1. RF Power Output and Effective Isotropic Radiated Power

Ambient condition

Temperature	Relative humidity
20°C ~25°C	45%~50%

Methods of Measurement

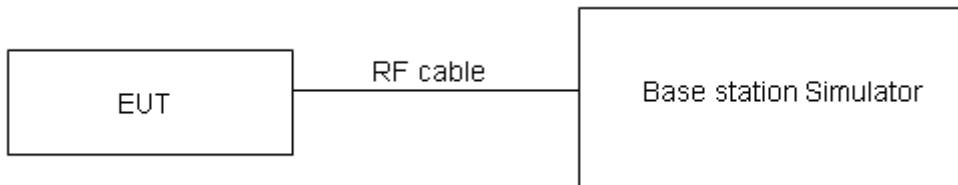
During the process of the testing, The EUT was connected to the Base Station Simulator with a known loss. The EUT is controlled by the Base Station Simulator test set to ensure max power transmission with proper modulation.

ERP can then be calculated as follows:

$$\text{EIRP (dBm)} = \text{Output Power (dBm)} + \text{Antenna Gain (dBi)}$$

$$\text{EIRP (dBm)} = \text{ERP (dBm)} + 2.15 \text{ (dB.)}$$

Test Setup



Limits

No specific RF power output requirements in part 2.1046.

Rule Part 24.232(c) Mobile and portable stations are limited to 2 watts EIRP.

Rule Part 24.232(e) Peak transmit power must be measured over any interval of continuous transmission using instrumentation calibrated in terms of an rms-equivalent voltage.

Limit	$\leq 2 \text{ W}$ (33 dBm)
-------	-----------------------------

Measurement Uncertainty

The assessed measurement uncertainty to ensure 95% confidence level for the normal distribution is with the coverage factor $k = 2$, $U = 0.4 \text{ dB}$ for RF power output, $k = 2$, $U = 1.19 \text{ dB}$ for EIRP.

Test Results

Refer to the section 6.1 of this report for test data.

5.2. Radiated Spurious Emission

Ambient condition

Temperature	Relative humidity
20°C ~25°C	45%~50%

Method of Measurement

1. The testing follows FCC KDB 971168 v03r01 Section 5.8 and ANSI C63.26-2015.
2. Below 1GHz: The EUT is placed on a turntable 0.8 meters above the ground in the chamber, 3 meter away from the antenna. The maximal emission value is acquired by adjusting the antenna height, polarisation and turntable azimuth. Normally, the height range of antenna is 1 m to 4 m, the azimuth range of turntable is 0° to 360°, and the receive antenna has two polarizations Vertical (V) and Horizontal (H). Above 1GHz: (Note: the FCC's permission to use 1.5m as an alternative per TCBC Conf call of Dec. 2, 2014.) The EUT is placed on a turntable 1.5 meters above the ground in the chamber, 3 meter away from the antenna. The maximal emission value is acquired by adjusting the antenna height, polarisation and turntable azimuth. Normally, the height range of antenna is 1 m to 4 m, the azimuth range of turntable is 0° to 360°, and the receive antenna has two polarizations Vertical (V) and Horizontal (H).
3. A loop antenna, A log-periodic antenna or horn antenna shall be substituted in place of the EUT. The log-periodic antenna will be driven by a signal generator and the level will be adjusted till the same power value on the spectrum analyzer or receiver. The level of the spurious emissions can be calculated through the level of the signal generator, cable loss, the gain of the substitution antenna and the reading of the spectrum analyzer or receiver.
4. The EUT is then put into continuously transmitting mode at its maximum power level during the test. Set Test Receiver or Spectrum RBW=1MHz, VBW=3MHz, and the maximum value of the receiver should be recorded as (Pr).
5. The EUT shall be replaced by a substitution antenna. In the chamber, an substitution antenna for the frequency band of interest is placed at the reference point of the chamber. An RF Signal source for the frequency band of interest is connected to the substitution antenna with a cable that has been constructed to not interfere with the radiation pattern of the antenna. A power (PMea) is applied to the input of the substitution antenna, and adjust the level of the signal generator output until the value of the receiver reach the previously recorded (Pr). The power of signal source (PMea) is recorded. The test should be performed by rotating the test item and adjusting the receiving antenna polarization.
6. A amplifier should be connected to the Signal Source output port. And the cable should be connect between the Amplifier and the Substitution Antenna. The cable loss (Pcl) ,the Substitution Antenna Gain (Ga) and the Amplifier Gain (PAg) should be recorded after test.
7. The measurement results are obtained as described below:

$$\text{Power(EIRP)} = \text{PMea} - \text{PAg} - \text{Pcl} + \text{Ga}$$
 The measurement results are amend as described below:

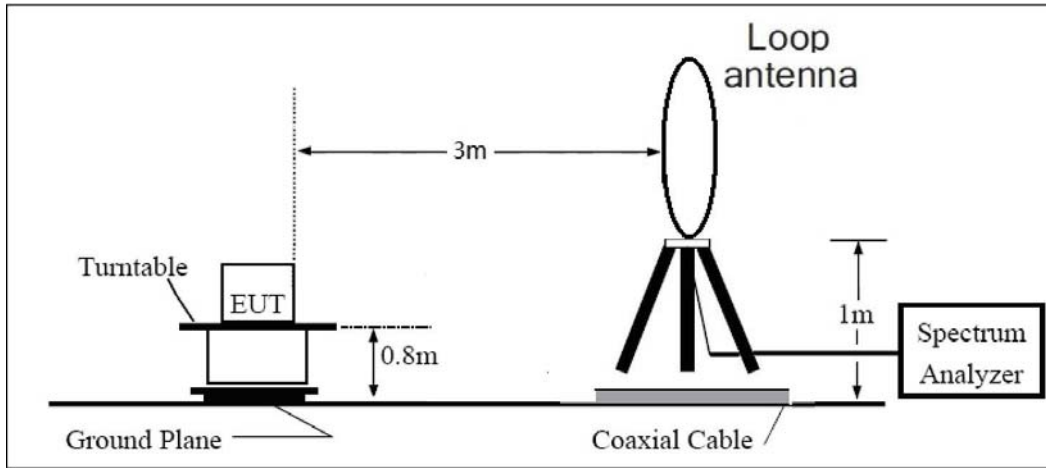
$$\text{Power(EIRP)} = \text{PMea} - \text{Pcl} + \text{Ga}$$
8. This value is EIRP since the measurement is calibrated using an antenna of known gain (2.15 dB) and known input power. ERP can be calculated from EIRP by subtracting the gain of the dipole, ERP

= EIRP-2.15dB.

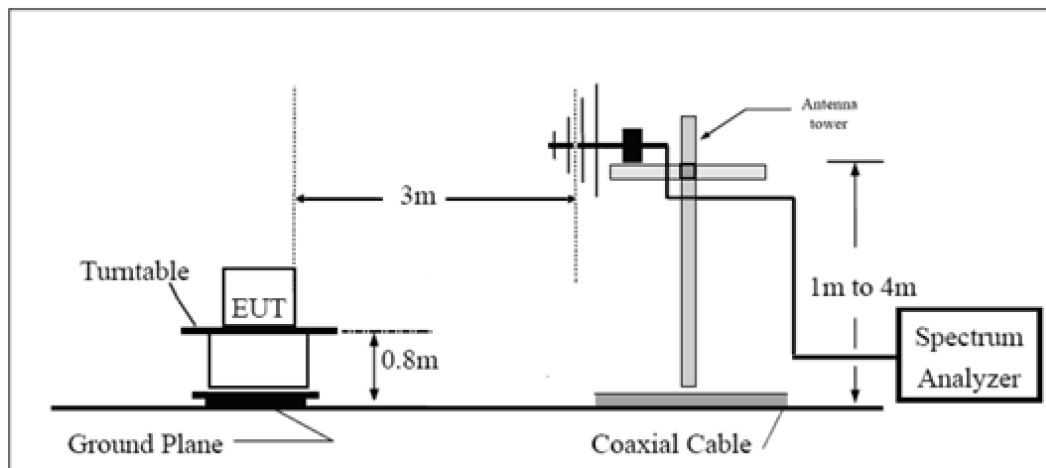
The modulation mode and RB allocation refer to section 5.1, using the maximum output power configuration.

Test setup

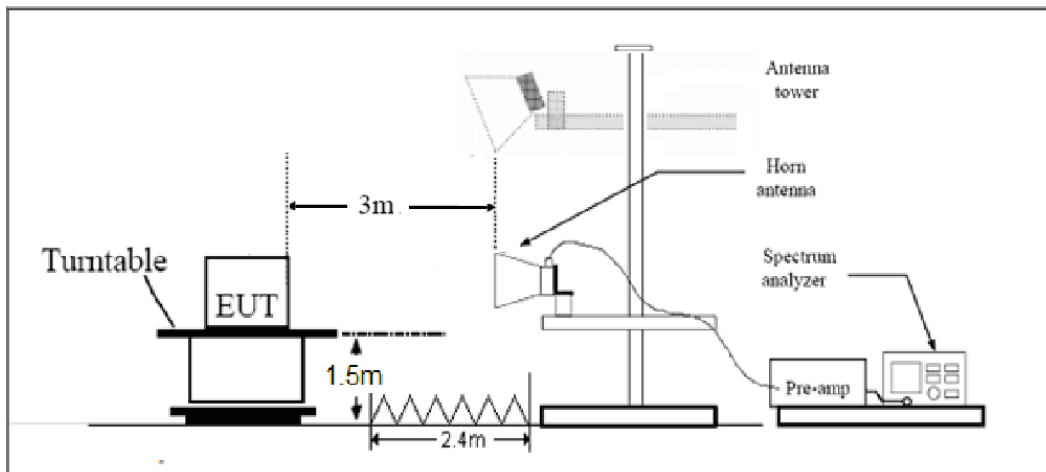
9KHz~ 30MHz



30MHz~ 1GHz



Above 1GHz



Note: Area side: 2.4mX3.6m

Limits

Rule Part 24.238(a) specifies that “on any frequency outside a licensee's frequency block, the power of any emission shall be attenuated below the transmitter power (P) by at least $43 + 10 \log_{10} (P)$ dB.”

Limit	-13 dBm
-------	---------

Measurement Uncertainty

The assessed measurement uncertainty to ensure 95% confidence level for the normal distribution is with the coverage factor $k = 1.96$, $U = 3.55$ dB.

Test Results

Refer to the section 6.2 of this report for test data.

6. Test Results

6.1.RF Power Output and Effective Isotropic Radiated Power

LTE-M Band 2	Channel/ Frequency(MHz)	Index	RB# RBstart	Conducted Power (dBm)		EIRP(dBm)	
				QPSK	16QAM	QPSK	16QAM
1.4MHz	18607/1850.7	0	1#0	23.68	22.27	24.02	22.61
		0	6#0	22.24	21.68	22.58	22.02
	18900/1880	0	1#0	22.91	23.02	22.62	22.73
		0	6#0	21.81	21.74	21.52	21.45
	19193/1909.3	0	1#5	23.52	22.41	23.72	22.61
		0	6#0	21.93	21.44	22.13	21.64
3MHz	18615/1851.5	0	1#0	23.65	22.77	23.99	23.11
		0	6#0	21.88	21.61	22.22	21.95
	18900/1880	0	1#0	23.65	22.73	23.36	22.44
		0	6#0	21.81	21.60	21.52	21.31
	19185/1908.5	1	1#5	23.58	22.58	23.78	22.78
		1	6#0	21.75	21.47	21.95	21.67
5MHz	18625/1852.5	3	1#0	23.63	23.69	23.97	24.03
		0	6#0	22.94	21.66	23.28	22.00
	18900/1880	0	1#0	23.63	23.70	23.34	23.41
		0	6#0	22.89	21.63	22.60	21.34
	19175/1907.5	0	1#5	23.61	23.54	23.81	23.74
		3	6#0	22.95	21.44	23.15	21.64
10MHz	18650/1855	3	1#0	23.62	23.68	23.96	24.02
		0	4#0	23.44	22.64	23.78	22.98
	18900/1880	0	1#0	23.64	23.71	23.35	23.42
		0	4#0	23.21	22.71	22.92	22.42
	19150/1905	4	1#5	23.64	23.59	23.84	23.79
		7	4#2	23.30	21.66	23.50	21.86
15MHz	18675/1857.5	3	1#0	23.66	23.69	24.00	24.03
		0	6#0	23.45	23.59	23.79	23.93
	18900/1880	0	1#0	23.64	23.68	23.35	23.39
		0	6#0	23.43	23.61	23.14	23.32
	19125/1902.5	8	1#5	23.68	23.63	23.88	23.83
		11	6#0	23.78	23.47	23.98	23.67
20MHz	18700/1860	3	1#0	23.68	23.70	23.28	23.30
		0	6#0	23.50	23.59	23.10	23.19
	18900/1880	0	1#0	23.20	23.03	22.91	22.74
		0	6#0	23.73	23.12	23.44	22.83
	19100/1900	12	1#5	23.62	23.58	23.82	23.78
		15	6#0	23.37	23.54	23.57	23.74

LTE-M Band 25	Channel/ Frequency(MHz)	Index	RB# RBstart	Conducted Power (dBm)		EIRP(dBm)	
				QPSK	16QAM	QPSK	16QAM
1.4MHz	26047/1850.7	0	1#0	23.50	22.51	23.84	22.85
		0	6#0	22.15	21.63	22.49	21.97
	26365/1882.5	0	1#0	23.55	22.59	23.26	22.30
		0	6#0	22.18	21.63	21.89	21.34
	26683/1914.3	0	1#5	23.58	22.40	23.78	22.60
		0	6#0	21.99	21.48	22.19	21.68
3MHz	26055/1851.5	0	1#0	23.67	22.80	24.01	23.14
		0	6#0	21.88	21.60	22.22	21.94
	26365/1882.5	0	1#0	23.68	22.80	23.39	22.51
		0	6#0	21.92	21.64	21.63	21.35
	26675/1913.5	1	1#5	23.68	22.67	23.88	22.87
		1	6#0	21.83	21.57	22.03	21.77
5MHz	26065/1852.5	3	1#0	23.69	23.73	24.03	24.07
		0	6#0	22.79	21.73	23.13	22.07
	26365/1882.5	0	1#0	23.72	23.76	23.43	23.47
		0	6#0	22.87	22.05	22.58	21.76
	26665/1912.5	0	1#5	23.70	23.62	23.90	23.82
		3	6#0	22.63	21.53	22.83	21.73
10MHz	26090/1855	3	1#0	23.68	23.73	24.02	24.07
		0	4#0	23.34	22.72	23.68	23.06
	26365/1882.5	0	1#0	23.74	23.80	23.45	23.51
		0	4#0	23.30	22.93	23.01	22.64
	26640/1910	4	1#5	23.69	23.64	23.89	23.84
		7	4#2	23.33	21.65	23.53	21.85
15MHz	26115/1857.5	3	1#0	23.74	23.77	24.08	24.11
		0	6#0	23.48	23.68	23.82	24.02
	26365/1882.5	0	1#0	23.75	23.02	23.46	22.73
		0	6#0	23.44	23.76	23.15	23.47
	26615/1907.5	8	1#5	23.71	23.68	23.91	23.88
		11	6#0	23.32	23.51	23.52	23.71
20MHz	26140/1860	3	1#0	23.70	23.75	23.30	23.35
		0	6#0	23.52	23.70	23.12	23.30
	26365/1882.5	0	1#0	23.73	23.78	23.44	23.49
		0	6#0	23.45	23.77	23.16	23.48
	26590/1905	12	1#5	23.65	23.62	23.85	23.82
		15	6#0	23.75	23.48	23.95	23.68

Mode	Modulation	Sub-carrier spacing (KHz)	Ntones	Conducted Power (dBm) for low/mid/high channel			EIRP(dBm)		
				18602/ 1850.2	18900/ 1880.0	19198/ 1909.8	18602/ 1850.2	18900/ 1880.0	19198/ 1909.8
NB-IoT Band 2	BPSK	3.75	1@0	23.71	23.66	23.52	24.05	23.37	23.72
			1@47	23.68	23.67	23.48	24.02	23.38	23.68
		15	1@0	23.59	23.71	23.61	23.93	23.42	23.81
			1@11	23.61	23.67	23.75	23.95	23.38	23.95
	QPSK	3.75	1@0	23.71	23.65	23.51	24.05	23.36	23.71
			1@47	23.68	23.63	23.50	24.02	23.34	23.70
		15	1@0	23.49	23.52	23.69	23.83	23.23	23.89
			1@11	23.66	23.75	23.73	24.00	23.46	23.93
		15	12@0	21.85	21.93	22.00	22.19	21.64	22.20

Mode	Modulation	Sub-carrier spacing (KHz)	Ntones	Conducted Power (dBm) for low/mid/high channel			EIRP(dBm)		
				26042/ 1850.2	26365/ 1882.5	26688/ 1914.8	26042/ 1850.2	26365/ 1882.5	26688/ 1914.8
NB-IoT Band 25	BPSK	3.75	1@0	23.71	23.67	23.42	24.05	23.38	23.62
			1@47	23.69	23.66	23.43	24.03	23.37	23.63
		15	1@0	23.68	23.73	23.79	24.02	23.44	23.99
			1@11	23.58	23.66	23.80	23.92	23.37	24.00
	QPSK	3.75	1@0	23.72	23.63	23.42	24.06	23.34	23.62
			1@47	23.68	23.63	23.40	24.02	23.34	23.60
		15	1@0	23.48	23.58	23.63	23.82	23.29	23.83
			1@11	23.65	23.61	23.85	23.99	23.32	24.05
		15	12@0	21.86	21.92	22.04	22.20	21.63	22.24

6.2. Radiated Spurious Emission

Sweep the whole frequency band through the range from 9kHz to the 10th harmonic of the carrier, the emissions below the noise floor will not be recorded in the report.

LTE-M Band 2 1.4MHz CH-Middle

Harmonic	Frequency (MHz)	SG (dBm)	Cable Loss (dB)	Gain (dBi)	Antenna Polarization	EIRP Level (dBm)	Limit (dBm)	Margin (dB)	Azimuth (deg)
2	3759.00	-65.68	2.60	12.50	Vertical	-55.78	-13.00	42.78	45
3	5638.88	-26.65	3.30	12.50	Vertical	-17.45	-13.00	4.45	135
4	7520.00	-60.17	4.20	12.20	Vertical	-52.17	-13.00	39.17	45
5	9400.00	-38.77	4.30	11.10	Vertical	-31.97	-13.00	18.97	0
6	11280.00	-53.02	5.90	11.90	Vertical	-47.02	-13.00	34.02	0
7	13160.00	-48.60	5.70	14.00	Vertical	-40.30	-13.00	27.30	135
8	15040.00	-46.74	5.80	13.10	Vertical	-39.44	-13.00	26.44	45
9	16920.00	-49.84	6.10	14.60	Vertical	-41.34	-13.00	28.34	225
10	18800.00	/	/	/	/	/	/	/	/

Note: 1. The other Spurious RF Radiated emissions level is no more than noise floor.
2. The worst emission was found in the antenna is Vertical position.

LTE-M Band 2 5MHz CH-Middle

Harmonic	Frequency (MHz)	SG (dBm)	Cable Loss (dB)	Gain (dBi)	Antenna Polarization	EIRP Level (dBm)	Limit (dBm)	Margin (dB)	Azimuth (deg)
2	3755.63	-65.38	2.60	12.50	Vertical	-55.48	-13.00	42.48	45
3	5633.63	-25.85	3.30	12.50	Vertical	-16.65	-13.00	3.65	225
4	7520.00	-59.32	4.20	12.20	Vertical	-51.32	-13.00	38.32	0
5	9400.00	-44.14	4.30	11.10	Vertical	-37.34	-13.00	24.34	45
6	11280.00	-53.64	5.90	11.90	Vertical	-47.64	-13.00	34.64	135
7	13160.00	-46.90	5.70	14.00	Vertical	-38.60	-13.00	25.60	45
8	15040.00	-46.65	5.80	13.10	Vertical	-39.35	-13.00	26.35	0
9	16920.00	-51.45	6.10	14.60	Vertical	-42.95	-13.00	29.95	135
10	18800.00	/	/	/	/	/	/	/	/

Note: 1. The other Spurious RF Radiated emissions level is no more than noise floor.
2. The worst emission was found in the antenna is Vertical position.

LTE-M Band 2 20MHz CH-Middle

Harmonic	Frequency (MHz)	SG (dBm)	Cable Loss (dB)	Gain (dBi)	Antenna Polarization	EIRP Level (dBm)	Limit (dBm)	Margin (dB)	Azimuth (deg)
2	3742.13	-61.97	2.60	12.50	Vertical	-52.07	-13.00	39.07	225
3	5613.38	-33.69	3.30	12.50	Vertical	-24.49	-13.00	11.49	45
4	7484.63	-60.05	4.20	12.20	Vertical	-52.05	-13.00	39.05	0
5	9400.00	-55.70	4.30	11.10	Vertical	-48.90	-13.00	35.90	90
6	11280.00	-54.03	5.90	11.90	Vertical	-48.03	-13.00	35.03	45
7	13160.00	-53.81	5.70	14.00	Vertical	-45.51	-13.00	32.51	45
8	15040.00	-46.90	5.80	13.10	Vertical	-39.60	-13.00	26.60	0
9	16920.00	-51.08	6.10	14.60	Vertical	-42.58	-13.00	29.58	135
10	18800.00	/	/	/	/	/	/	/	/

Note: 1.The other Spurious RF Radiated emissions level is no more than noise floor.

2. The worst emission was found in the antenna is Vertical position.

LTE-M Band 25 1.4MHz CH-Middle

Harmonic	Frequency (MHz)	SG (dBm)	Cable Loss (dB)	Gain (dBi)	Antenna Polarization	EIRP Level (dBm)	Limit (dBm)	Margin (dB)	Azimuth (deg)
2	3765.00	-65.99	2.60	12.50	Vertical	-56.09	-13.00	43.09	90
3	5647.50	-27.26	3.30	12.50	Vertical	-18.06	-13.00	5.06	135
4	7530.00	-60.02	4.20	12.20	Vertical	-52.02	-13.00	39.02	0
5	9412.50	-47.45	4.30	11.10	Vertical	-40.65	-13.00	27.65	45
6	11295.00	-52.10	5.90	11.90	Vertical	-46.10	-13.00	33.10	225
7	13177.50	-49.46	5.70	14.00	Vertical	-41.16	-13.00	28.16	90
8	15060.00	-50.36	5.80	13.10	Vertical	-43.06	-13.00	30.06	45
9	16942.50	-55.70	6.10	14.60	Vertical	-47.20	-13.00	34.20	135
10	18825.00	/	/	/	/	/	/	/	/

Note: 1.The other Spurious RF Radiated emissions level is no more than noise floor.

2. The worst emission was found in the antenna is Vertical position.

LTE-M Band 25 5MHz CH-Middle

Harmonic	Frequency (MHz)	SG (dBm)	Cable Loss (dB)	Gain (dBi)	Antenna Polarization	EIRP Level (dBm)	Limit (dBm)	Margin (dB)	Azimuth (deg)
2	3765.00	-65.98	2.60	12.50	Vertical	-56.08	-13.00	43.08	90
3	5647.50	-28.22	3.30	12.50	Vertical	-19.02	-13.00	6.02	135
4	7530.00	-59.65	4.20	12.20	Vertical	-51.65	-13.00	38.65	315
5	9412.50	-46.27	4.30	11.10	Vertical	-39.47	-13.00	26.47	45
6	11295.00	-51.71	5.90	11.90	Vertical	-45.71	-13.00	32.71	225
7	13177.50	-50.04	5.70	14.00	Vertical	-41.74	-13.00	28.74	90
8	15060.00	-47.56	5.80	13.10	Vertical	-40.26	-13.00	27.26	45
9	16942.50	-56.42	6.10	14.60	Vertical	-47.92	-13.00	34.92	135
10	18825.00	/	/	/	/	/	/	/	/

Note: 1.The other Spurious RF Radiated emissions level is no more than noise floor.

2. The worst emission was found in the antenna is Vertical position.

LTE-M Band 25 20MHz CH-Middle

Harmonic	Frequency (MHz)	SG (dBm)	Cable Loss (dB)	Gain (dBi)	Antenna Polarization	EIRP Level (dBm)	Limit (dBm)	Margin (dB)	Azimuth (deg)
2	3748.13	-65.61	2.60	12.50	Vertical	-55.71	-13.00	42.71	90
3	5622.00	-25.35	3.30	12.50	Vertical	-16.15	-13.00	3.15	135
4	7496.00	-60.00	4.20	12.20	Vertical	-52.00	-13.00	39.00	45
5	9370.00	-44.47	4.30	11.10	Vertical	-37.67	-13.00	24.67	225
6	11244.00	-52.38	5.90	11.90	Vertical	-46.38	-13.00	33.38	90
7	13118.00	-48.03	5.70	14.00	Vertical	-39.73	-13.00	26.73	0
8	14992.00	-50.47	5.80	13.10	Vertical	-43.17	-13.00	30.17	45
9	16866.00	-55.68	6.10	14.60	Vertical	-47.18	-13.00	34.18	315
10	18740.00	/	/	/	/	/	/	/	/

Note: 1.The other Spurious RF Radiated emissions level is no more than noise floor.

2. The worst emission was found in the antenna is Vertical position.

NB-IoT Band 2 QPSK 3.75kHz CH-Low

Harmonic	Frequency (MHz)	SG (dBm)	Cable Loss (dB)	Gain (dBi)	Antenna Polarization	EIRP Level (dBm)	Limit (dBm)	Margin (dB)	Azimuth (deg)
2	3700.20	-56.15	2.60	12.50	Vertical	-46.25	-13.00	33.25	0
3	5550.30	-62.08	3.30	12.50	Vertical	-52.88	-13.00	39.88	315
4	7400.40	-60.25	4.20	12.20	Vertical	-52.25	-13.00	39.25	270
5	9250.50	-55.33	4.30	11.10	Vertical	-48.53	-13.00	35.53	45
6	11100.60	-52.49	5.90	11.90	Vertical	-46.49	-13.00	33.49	90
7	12950.70	-55.17	5.70	14.00	Vertical	-46.87	-13.00	33.87	315
8	14800.80	-49.20	5.80	13.10	Vertical	-41.90	-13.00	28.90	45
9	16650.90	-55.05	6.10	14.60	Vertical	-46.55	-13.00	33.55	0
10	18501.00	/	/	/	/	/	/	/	/

Note: 1.The other Spurious RF Radiated emissions level is no more than noise floor.

2. The worst emission was found in the antenna is Vertical position.

NB-IoT Band 2 QPSK 3.75kHz CH-Middle

Harmonic	Frequency (MHz)	SG (dBm)	Cable Loss (dB)	Gain (dBi)	Antenna Polarization	EIRP Level (dBm)	Limit (dBm)	Margin (dB)	Azimuth (deg)
2	3760.00	-66.85	2.60	12.50	Vertical	-56.95	-13.00	43.95	0
3	5640.20	-23.30	3.30	12.50	Vertical	-14.10	-13.00	1.10	135
4	7520.00	-59.36	4.20	12.20	Vertical	-51.36	-13.00	38.36	315
5	9400.00	-44.75	4.30	11.10	Vertical	-37.95	-13.00	24.95	180
6	11280.00	-51.66	5.90	11.90	Vertical	-45.66	-13.00	32.66	90
7	13160.00	-47.34	5.70	14.00	Vertical	-39.04	-13.00	26.04	45
8	15040.00	-48.80	5.80	13.10	Vertical	-41.50	-13.00	28.50	225
9	16920.00	-53.61	6.10	14.60	Vertical	-45.11	-13.00	32.11	135
10	18800.00	/	/	/	/	/	/	/	/

Note: 1.The other Spurious RF Radiated emissions level is no more than noise floor.

2. The worst emission was found in the antenna is Vertical position.

NB-IoT Band 2 QPSK 3.75kHz CH-High

Harmonic	Frequency (MHz)	SG (dBm)	Cable Loss (dB)	Gain (dBi)	Antenna Polarization	EIRP Level (dBm)	Limit (dBm)	Margin (dB)	Azimuth (deg)
2	3819.80	-58.30	2.60	12.50	Vertical	-48.40	-13.00	35.40	225
3	5729.70	-58.78	3.30	12.50	Vertical	-49.58	-13.00	36.58	135
4	7639.60	-60.11	4.20	12.20	Vertical	-52.11	-13.00	39.11	180
5	9549.50	-56.48	4.30	11.10	Vertical	-49.68	-13.00	36.68	90
6	11459.40	-53.13	5.90	11.90	Vertical	-47.13	-13.00	34.13	315
7	13369.30	-54.11	5.70	14.00	Vertical	-45.81	-13.00	32.81	45
8	15279.20	-50.67	5.80	13.10	Vertical	-43.37	-13.00	30.37	0
9	17189.10	-52.75	6.10	14.60	Vertical	-44.25	-13.00	31.25	225
10	19099.00	/	/	/	/	/	/	/	/

Note: 1.The other Spurious RF Radiated emissions level is no more than noise floor.

2. The worst emission was found in the antenna is Vertical position.

NB-IoT Band 25 QPSK 3.75kHz CH-Low

Harmonic	Frequency (MHz)	SG (dBm)	Cable Loss (dB)	Gain (dBi)	Antenna Polarization	EIRP Level (dBm)	Limit (dBm)	Margin (dB)	Azimuth (deg)
2	3700.20	-53.59	2.60	12.50	Vertical	-43.69	-13.00	30.69	180
3	5550.30	-33.68	3.30	12.50	Vertical	-24.48	-13.00	11.48	135
4	7400.40	-58.77	4.20	12.20	Vertical	-50.77	-13.00	37.77	45
5	9250.50	-42.98	4.30	11.10	Vertical	-36.18	-13.00	23.18	315
6	11100.60	-49.35	5.90	11.90	Vertical	-43.35	-13.00	30.35	90
7	12950.70	-45.74	5.70	14.00	Vertical	-37.44	-13.00	24.44	0
8	14800.80	-45.16	5.80	13.10	Vertical	-37.86	-13.00	24.86	0
9	16650.90	-50.67	6.10	14.60	Vertical	-42.17	-13.00	29.17	225
10	18501.00	/	/	/	/	/	/	/	/

Note: 1.The other Spurious RF Radiated emissions level is no more than noise floor.

2. The worst emission was found in the antenna is Vertical position.

NB-IoT Band 25 QPSK 3.75kHz CH-Middle

Harmonic	Frequency (MHz)	SG (dBm)	Cable Loss (dB)	Gain (dBi)	Antenna Polarization	EIRP Level (dBm)	Limit (dBm)	Margin (dB)	Azimuth (deg)
2	3765.00	-57.43	2.60	12.50	Vertical	-47.53	-13.00	34.53	315
3	5647.50	-61.94	3.30	12.50	Vertical	-52.74	-13.00	39.74	90
4	7530.00	-58.48	4.20	12.20	Vertical	-50.48	-13.00	37.48	225
5	9412.50	-54.11	4.30	11.10	Vertical	-47.31	-13.00	34.31	45
6	11295.00	-50.21	5.90	11.90	Vertical	-44.21	-13.00	31.21	315
7	13177.50	-51.98	5.70	14.00	Vertical	-43.68	-13.00	30.68	90
8	15060.00	-48.03	5.80	13.10	Vertical	-40.73	-13.00	27.73	45
9	16942.50	-50.23	6.10	14.60	Vertical	-41.73	-13.00	28.73	225
10	18825.00	/	/	/	/	/	/	/	/

Note: 1.The other Spurious RF Radiated emissions level is no more than noise floor.

2. The worst emission was found in the antenna is Vertical position.

NB-IoT Band 25 QPSK 3.75kHz CH-High

Harmonic	Frequency (MHz)	SG (dBm)	Cable Loss (dB)	Gain (dBi)	Antenna Polarization	EIRP Level (dBm)	Limit (dBm)	Margin (dB)	Azimuth (deg)
2	3829.80	-55.72	2.60	12.50	Vertical	-45.82	-13.00	32.82	135
3	5744.70	-62.00	3.30	12.50	Vertical	-52.80	-13.00	39.80	90
4	7659.60	-59.33	4.20	12.20	Vertical	-51.33	-13.00	38.33	225
5	9574.50	-56.36	4.30	11.10	Vertical	-49.56	-13.00	36.56	270
6	11489.40	-50.41	5.90	11.90	Vertical	-44.41	-13.00	31.41	45
7	13404.30	-51.60	5.70	14.00	Vertical	-43.30	-13.00	30.30	90
8	15319.20	-48.89	5.80	13.10	Vertical	-41.59	-13.00	28.59	315
9	17234.10	-51.45	6.10	14.60	Vertical	-42.95	-13.00	29.95	45
10	19149.00	/	/	/	/	/	/	/	/

Note: 1.The other Spurious RF Radiated emissions level is no more than noise floor.

2. The worst emission was found in the antenna is Vertical position.

7. Main Test Instruments

Name	Manufacturer	Type	Serial Number	Calibration Date	Expiration Date
Spectrum Analyzer	R&S	FSV30	103591	2022-05-14	2023-05-13
Spectrum Analyzer	R&S	FSV30	104028	2022-05-14	2023-05-13
Loop Antenna	SCHWARZBECK	FMZB1519	1519-047	2023-04-16	2026-04-15
TRILOG Broadband Antenna	Schwarzbeck	VULB 9163	01439	2021-06-30	2024-06-29
Horn Antenna	Schwarzbeck	BBHA 9120D	01799	2022-09-01	2025-08-31
Horn Antenna	ETS-Lindgren	3160-09	00102643	2021-10-10	2024-10-09
Software	R&S	EMC32	10.35.10	/	/

*****END OF REPORT *****

ANNEX A: The EUT Appearance

The EUT Appearance is submitted separately.

ANNEX B: Test Setup Photos

The Test Setup Photos is submitted separately.