

P6C antenna specifications

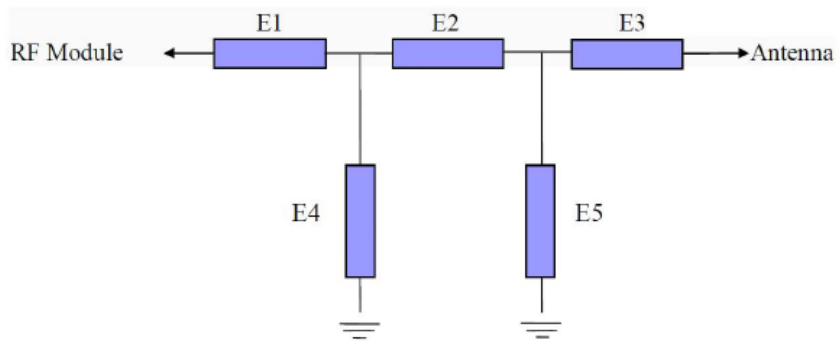
Antenna parameter

A. Electrical Characteristics

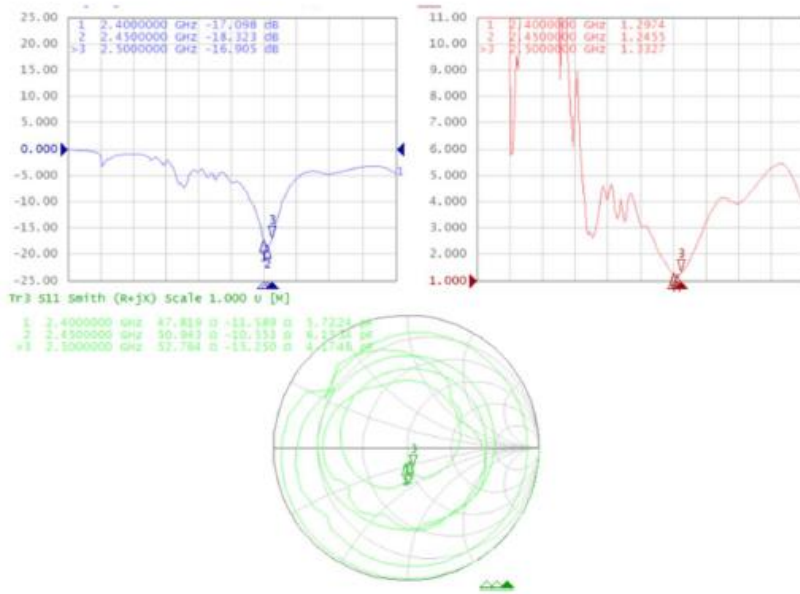
Frequency	2400MHZ~2500MHZ
VSWR	<2
Efficiency	>50%
Impedance	50 Ohm
Polarization	Linear
Gain	1.5dBi



Antenna matching circuit



Element	Valve
E1	NA
E2	NA
E3	NA
E4	NA
E5	NA



Freq(MHz)	Effi (%)	Gain (dBi)
2400	50.12	1.03
2425	51.41	1.23
2450	54.33	1.47
2475	52.19	1.42
2500	51.71	1.37

WIFI										
Mode	Band	Test Case	Channel	Data Rate (Mbps)	FS					备注
					excellent (dBm)	Worst Limit (dBm)	AVE	测试值	判定项	
802.11 b 2.4G	TRP		1	11	15	13	14.7974	14.9	原	
			6					14.71		
			11					14.78		
	TIS		1	11	-81	-78	-79.8062	-80.56	原	
			6					-79.93		
			11					-79.06		
802.11 g 2.4G	TRP		1	54	12	9	11.309	11.6	参考	
			6					11.25		
			11					11.17		
	TIS		1	54	-71	-68	-66.3995	-68.89	参考	
			6					-65.7		
			11					-65.39		
802.11 n 2.4G	TRP		1	MCS7	11	8	10.2283	10.39	参考	
			6					10.18		
			11					10.11		
	TIS		1	MCS7	-70	-67	-64.8165	-64.89	参考	
			6					-64.58		
			11					-64.99		