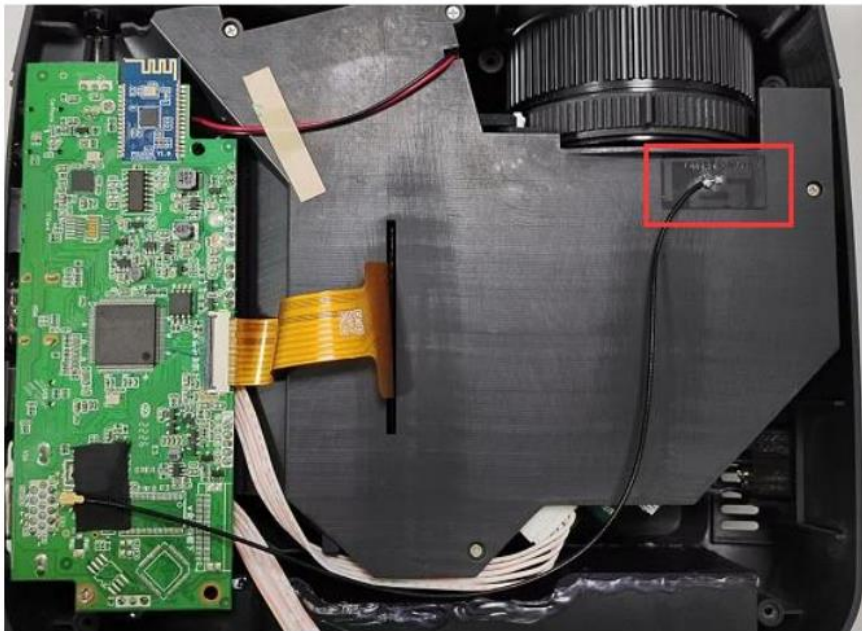


Antenna specification

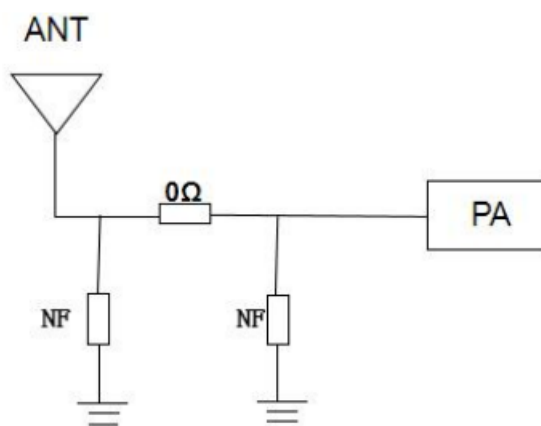
Antenna type: Integrated antenna

Frequency range: 2400-2500MHz

1. Antenna position



2. Match circuit-WIFI antenna



3. WIFI passive standing wave



4. Active power test data

	WIFI 2400-2500MHz		
CH	1	6	11
TRP	13.76	13.23	13.50
TIS	-75.77	-80.02	-80.55

5. Passive 2.4G test results

Frequency ID	1	2	3	4	5	6	7	8	9	10	11
Frequency (MHz)	2400.0	2410.0	2420.0	2430.0	2440.0	2450.0	2460.0	2470.0	2480.0	2490.0	2500.0
Point Values											
Ant. Port Input Pwr. (dBm)	0.00	0.00	0.00	0.00	0.00	0.00	0.00	0.00	0.00	0.00	0.00
Tot. Rad. Pwr. (dBm)	-6.36	-6.40	-6.33	-6.11	-6.07	-5.78	-5.83	-5.99	-5.91	-5.70	-5.64
Peak EIRP (dBm)	0.10	-0.12	-0.33	-0.16	0.05	0.33	0.31	0.33	0.59	0.99	1.24
Directivity (dBi)	6.47	6.28	5.99	5.96	6.12	6.10	6.15	6.32	6.50	6.69	6.88
Efficiency (dB)	-6.36	-6.40	-6.33	-6.11	-6.07	-5.78	-5.83	-5.99	-5.91	-5.70	-5.64
Efficiency (%)	23.10	22.90	23.30	24.50	24.70	26.50	26.10	25.20	25.70	26.90	27.30
Gain (dBi)	0.10	-0.12	-0.33	-0.16	0.05	0.33	0.31	0.33	0.59	0.99	1.24
NHPRP $\pm\pi/4$ (dBm)	-8.24	-8.30	-8.26	-8.08	-8.09	-7.82	-7.88	-8.02	-7.90	-7.66	-7.58
NHPRP $\pm\pi/6$ (dBm)	-9.73	-9.82	-9.79	-9.63	-9.66	-9.40	-9.47	-9.62	-9.52	-9.28	-9.21
NHPRP $\pm\pi/8$ (dBm)	-10.88	-10.99	-10.99	-10.83	-10.87	-10.62	-10.71	-10.87	-10.79	-10.56	-10.50
Upper Hem. PRP (dBm)	-9.30	-9.28	-9.21	-9.05	-9.06	-8.83	-8.94	-9.12	-9.04	-8.87	-8.83
Lower Hem. PRP (dBm)	-9.45	-9.55	-9.46	-9.20	-9.11	-8.74	-8.75	-8.89	-8.79	-8.55	-8.48
Upper Hem. PRP (%)	11.74	11.80	11.99	12.45	12.42	13.08	12.77	12.24	12.47	12.99	13.10
Lower Hem. PRP (%)	11.36	11.10	11.31	12.02	12.28	13.38	13.33	12.92	13.20	13.96	14.20

6. 2.4G direction map

