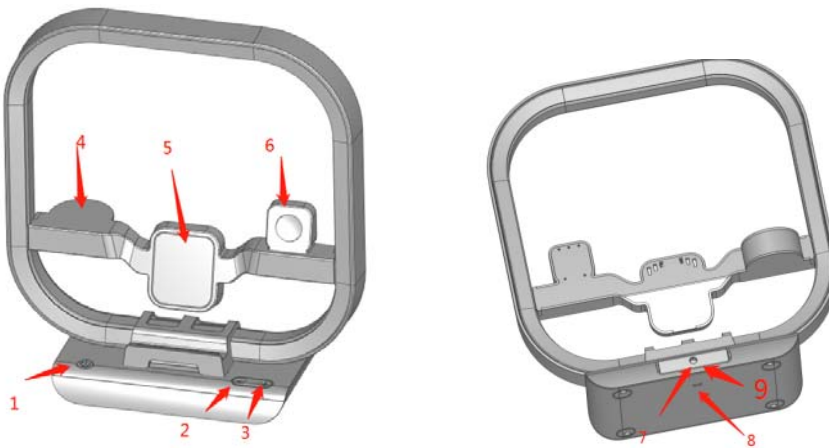


Model: WAC-DL018



1. Short press among cool light,Warm light,Neuter Mixed light,OFF
2. Brightness-
3. Brightness +
4. Wireless Charger Output#1(Phone): 5W,7.5W,10W
5. Wireless Charger Output#2(Airpods): 5W
6. Wireless Charger Output#3(Apple Watch): 2W
7. Wireless Charger Output Total:18W
8. Input DC 12V 2A
9. Update port micro USB
10. LED indication

Lamp power 4W

Power supply connected:Red LED on

Wireless charger is charging for mobile phone: Blue LED on

FOD :Red LED flashing

Accessories:DC adaptor

ICID

#### ISED Canada Statement:

This device contains licence-exempt transmitter(s)/receiver(s) that comply with Innovation, Science and Economic Development Canada's licence-exempt RSS(s). Operation is subject to the following two conditions:

- 1) this device may not cause interference and
- 2) this device must accept any interference, including interference that may cause undesired operation of the device.

Radiation Exposure: This equipment complies with Canada radiation exposure limits set forth for an uncontrolled environment

#### RF Exposure Statement

To maintain compliance with IC's RF Exposure guidelines, This equipment should be installed and operated with minimum distance of 10cm the radiator your body. This device and its antenna(s) must not be co-located or operation in conjunction with any other antenna or transmitter

#### D éclaration de l'ISED Canada :

Cet appareil contient des émetteurs / r écepteurs exempts de licence se conformer à l'innovation, la science et le d éveloppement économique Les RSS du Canada exemptes de licence. Leur fonctionnement suivant deux conditions:

- 1) cet appareil ne peut pas causer d'interf érences et
- 2) ce dispositif doit accepter toute interf érence, y compris peut provoquer le fonctionnement ind ésirable de l'appareil.

Exposition aux rayonnements : Cet é quipement est conforme aux radiations du Canada limites d'exposition pour un environnement incontrôlé non é d'exposition RF

Pour maintenir le respect des guides d'exposition RF d'IC, équipement doit étre installé et actionné avec une distance minimale de 10cm le radiateur de votre corps. Cet appareil et ses antennes ne doivent pas étre co-localisés ou en op ération en conjonction avec toute autre antenne ou émetteur

---

#### FCC Warning Statement

Changes or modifications not expressly approved by the party responsible for compliance could void the user's authority to operate the equipment. This equipment has been tested and found to comply with the limits for a Class B digital device, pursuant to Part 15 of the FCC Rules. These limits are designed to provide reasonable protection against harmful interference in a residential installation. This equipment generates uses and can radiate radio frequency energy and, if not installed and used in accordance with the instructions, may cause harmful interference to radio communications. However, there is no guarantee that interference will not occur in a particular installation. If this equipment does cause harmful interference to radio or television reception, which can be determined by turning the equipment off and on, the user is encouraged to try to correct the interference by one or more of the following measures:

- - Reorient or relocate the receiving antenna.
- - Increase the separation between the equipment and receiver.
- - Connect the equipment into an outlet on a circuit different from that to which the receiver is connected.
- - Consult the dealer or an experienced radio/TV technician for help.

This device complies with part 15 of the FCC Rules. Operation is subject to the following two conditions: (1) This device may not cause harmful interference, and (2) this device must accept any interference received, including interference that may cause undesired operation.

#### RF Exposure Statement

To maintain compliance with FCC's RF Exposure guidelines, This equipment should be installed and operated with minimum distance of 20cm the radiator your body. This device and its antenna(s) must not be co-located or operation in conjunction with any other antenna or transmitter