



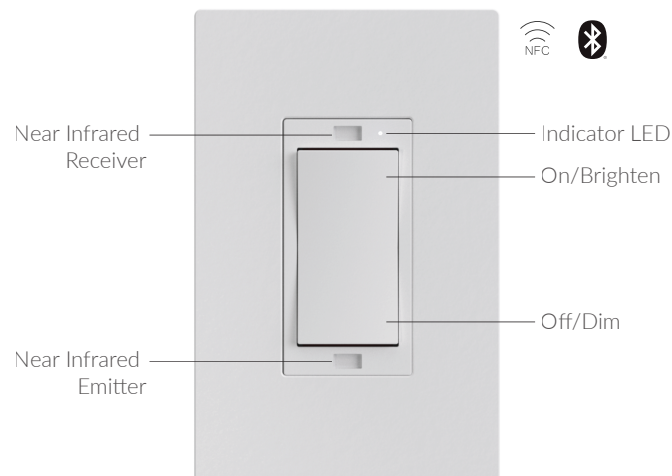
AUTONOMY WALL SWITCH DATASHEET

AUTONOMY WALL SWITCH DATASHEET

SPECIFICATIONS

AUTONOMOUS LIGHTING CONTROL

The Autonomy Wall Switch automatically pairs with co-located JDRF Electromag Autonomy Sensors to provide lighting control without programming or control boxes.



NETWORKING

Automatically builds and maintains a secure wireless network with other JDRF Electromag devices. Devices use multi-factor authentication without involvement.

LIGHTING CONTROL

Automatically pairs with co-located JDRF Electromag Autonomy Sensors to provide brightness control over an area.

NFC PAIRING

Integrated NFC transceiver allows easy pairing to the JDRF Electromag mobile application which allows users to customized the behavior of the Autonomy Wall Switch.

ENERGY MEASUREMENT

Built-in memory stores 30 days of energy consumption data for the luminaires controlled by co-located JDRF Electromag Autonomy Sensors.

AUTONOMY WALL SWITCH DATASHEET

SPECIFICATIONS

DIMENSIONS



BUTTONS

Non-latching rocker provides on/off and brighten/dim using 'press-and-release' and 'press-and-hold' interactions, respectively. Default levels listed below can be configured by the JDRF Electromag mobile application.

- Up button (press-and-release): sets lights to maximum level.
- Up button (press-and-hold): brightens lights to maximum level.
- Down button (press-and-release): shuts lights off.
- Down button (press-and-hold): dims lights to off.

SELF-DIAGNOSTIC

Pass: LED indicator flashes once every 30 seconds.

Fail: LED indicator flashes once every second.

ELECTRICAL

Input voltage: 120-277 VAC or 120-347 VAC (50/60 Hz), see model number.

Input power: 3W maximum.

Impulse voltage: 4kV.

AUTONOMY WALL SWITCH DATASHEET

SPECIFICATIONS

STANDARDS	cULus listed UL60730 and UL94. FCC Class A Part 15 Subpart C.
GENERAL	Purpose of control: Electronic Lighting Control (non-safety related). Type 1 Action. Pollution Degree: 2.
WIRELESS	2.4GHz IEEE 802.15.4 - Bluetooth® 5 Low Energy (BLE) and Bluetooth® Mesh. Transmitter output +8 dBm (adjustable). 30 meters (100 ft) line of sight communication range.
ENVIRONMENT	Operating Temperature: 0-45°C (32-113°F). Storage Temperature: 0-75°C (32-167°F). Relative Humidity: Operating range of 5-95% (non-condensing). Environment: Dry indoor use only.
WARRANTY	5 Year Manufacturer limited liability.
MODEL NUMBER	JDRF-AWS-01-W Wall Switch with Single-Gang Faceplate (120-277V). JDRF-AWS-02-W Wall Switch with Single-Gang Faceplate (120-347V).

AUTONOMY WALL SWITCH DATASHEET

SPECIFICATIONS

WIRING

**Risk of Fire, Electrical Shock, Cuts or other Casualty Hazards**

Installation and maintenance of this product must be performed by a qualified electrician. This product must be installed in accordance with the applicable installation code by a person familiar with the construction and operation of the product and hazards involved. For continued protection against shock hazard, install switch-plate provided after field wiring is completed.

**Risk of Fire and Electric Shock**

Before installing or performing any service, the power **MUST** be turned OFF. All installations should be in compliance with the National Electric Code and all state local codes.

**Risk of Burn**

Disconnect power and allow product to cool before handling or servicing.

**Risk of Personal Injury**

Due to sharp edges, handle with care. Failure to comply with these instructions may result in death, serious bodily injury and property damage.

DISCLAIMER OF LIABILITY

JDRF Electromag Engineering Inc. assumes no liability for damages or losses of any kind that may arise from the improper, careless, or negligent installation, handling or use of this product.

NOTICE

Product may become damaged and/or unstable if not installed properly. Designed for indoor installation and use only. Specifications and dimensions subject to change without notice.

CAUTION

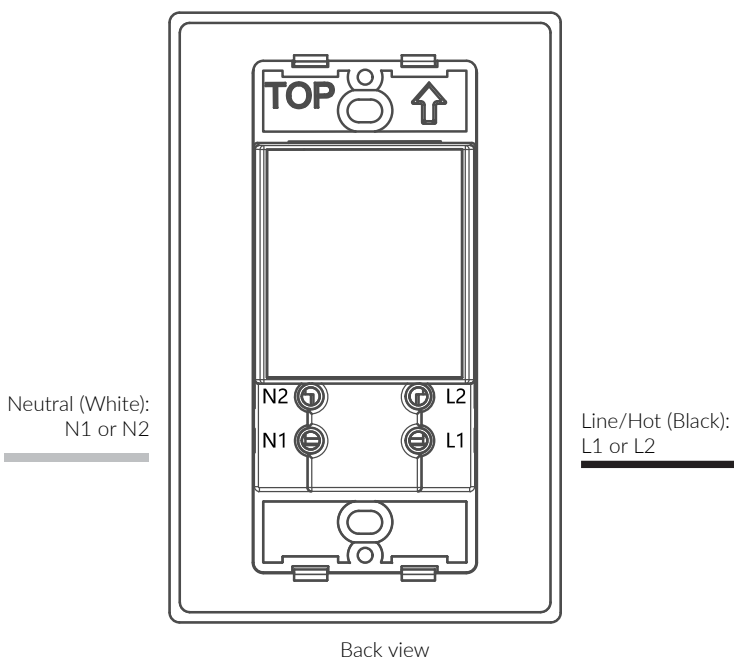
To be installed and/or used in accordance with applicable electrical code and regulations. Use this device with copper or copper clad wire only. To avoid fire, shock, body harm or death; turn off power at circuit breaker or fuse and test that the power is off before wiring.

AUTONOMY WALL SWITCH DATASHEET

SPECIFICATIONS

WIRING

The Wall Switch is intended to fit into a single gang wall box with a minimum internal depth of 2 inch (51 mm). Turn off power at circuit breaker or fuse and test that the power is off before wiring. Only use with switch-plate provided. Use 2 x 12 AWG or 14 AWG wire. Remove wiring insulation approximately 3/4 inch (1.9 cm). Connect Line and Neutral wires into their respective wire entry terminals. Spare terminals allow for daisy-chain connection. Firmly tighten screw over wires. Mount device to the wall box using long mounting screws provided. Attach switch-plate. Restore power at circuit breaker or fuse. Installation is complete.

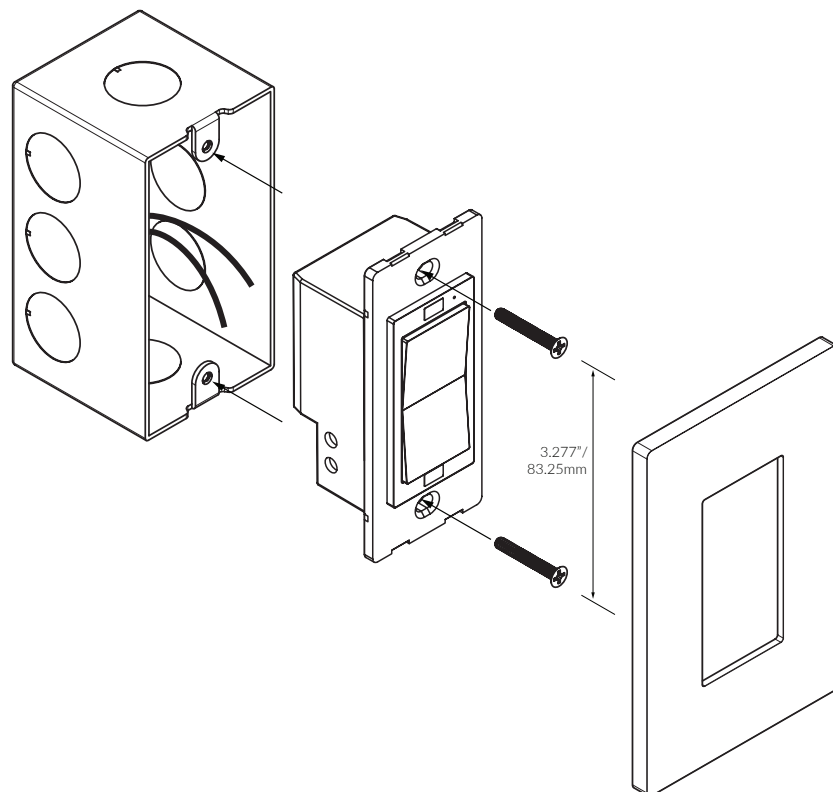


AUTONOMY WALL SWITCH DATASHEET

SPECIFICATIONS

INSTALLATION

The Wall Switch is intended to flush-mount to the wall-box with a minimum internal depth of 2 inch (51 mm). The Autonomy Wall Switch is not intended to be installed or ganged with any off the shelf wall-plate or other wall-box type device.

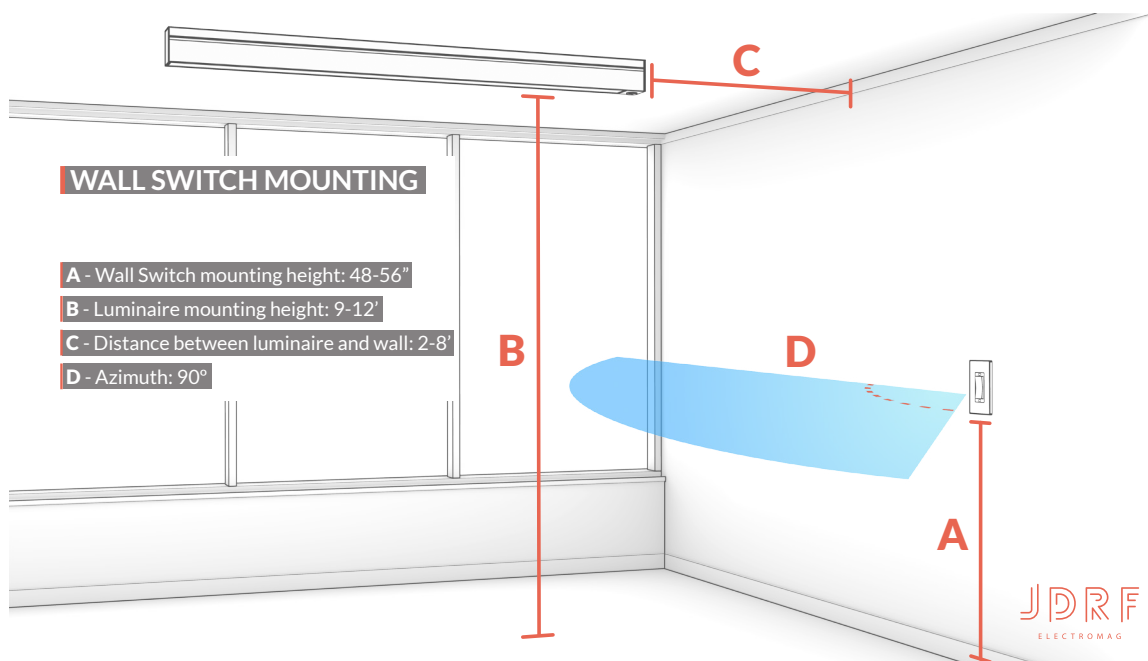


AUTONOMY WALL SWITCH DATASHEET

SPECIFICATIONS

MOUNTING

The Autonomy Wall Switch pairs with co-located Autonomy Sensors by establishing a reciprocal Near Infrared Optical Link. Refer to the mounting instructions below to ensure that the Autonomy Wall Switch and at least one Autonomy Sensor are within detectable range of one another.



AUTONOMY WALL SWITCH DATASHEET

ISED & FCC

ISED Non-Interference Disclaimer

This device contains licence-exempt transmitter(s)/receiver(s) that comply with Innovation, Science and Economic Development Canada's licence-exempt RSS(s). Operation is subject to the following two conditions:

- (1) This device may not cause interference.
- (2) This device must accept any interference, including interference that may cause undesired operation of the device.

L'émetteur/récepteur exempt de licence contenu dans le présent appareil est conforme aux CNR d'Innovation, Sciences et Développement économique Canada applicables aux appareils radio exempts de licence. L'exploitation est autorisée aux deux conditions suivantes :

- (1) L'appareil ne doit pas produire de brouillage;
- (2) L'appareil doit accepter tout brouillage radioélectrique subi, même si le brouillage est susceptible d'en compromettre le fonctionnement.

RF Exposure Statement

This equipment complies with ISED RSS-102 radiation exposure limits set forth for an uncontrolled environment. This equipment should be installed and operated with minimum distance 20 cm (7.6 inches) between the radiator and any part of your body. This transmitter must not be co-located or operating in conjunction with any other antenna or transmitter.

Pour se conformer aux exigences de conformité ISED RSS-102 RF exposition, une distance de séparation d'au moins 20 cm doit être maintenue entre l'antenne de cet appareil et toutes les personnes. Lanceurs ou ne peuvent pas coexister cette antenne ou capteurs avec d'autres.

FCC Compliance Statement

This equipment has been tested and found to comply with the limits for a Class A digital device, pursuant to part 15 of the FCC Rules. These limits are designed to provide reasonable protection against harmful interference when the equipment is operated in a commercial environment. This equipment generates, uses, and can radiate radio frequency energy and, if not installed and used in accordance with the instruction manual, may cause harmful interference to radio communications. Operation of this equipment in a residential area is likely to cause harmful interference in which case the user will be required to correct the interference at his own expense. This device complies with Part 15 of the FCC Rules. Operation is subject to the following two conditions:

- (1) this device may not cause harmful interference, and
- (2) this device must accept any interference received, including interference that may cause undesired operation. Please note that changes or modifications not expressly approved by the party responsible for compliance could void the user's authority to operate the equipment.

RF Exposure Statement

This equipment complies with FCC radiation exposure limits set forth for an uncontrolled environment. This transmitter must not be co-located or operating in conjunction with any other antenna or transmitter. In order to avoid the possibility of exceeding the FCC radio frequency exposure limits, this equipment should be installed and operated with minimum distance 20 cm (7.8 inches) between the antenna and your body during normal operation. Users must follow the specific operating instructions for satisfying RF exposure compliance.