



**Westinghouse
Communication Services, Inc.**

Suite 506
1025 Connecticut Avenue NW
Washington DC 20036-5405
(202) 857 5160
(202) 857 5165: FAX

. August 31, 1995

Mr. John Morgan
Federal Communications Commission
Experimental Licensing Branch
2000 M Street, rm 480
Washington, DC 20554

Ref.: File number 4818-EX-PL-95

Dear Mr. Morgan:

Westinghouse Communication Services, Inc. requests the amendment of the above referenced application.

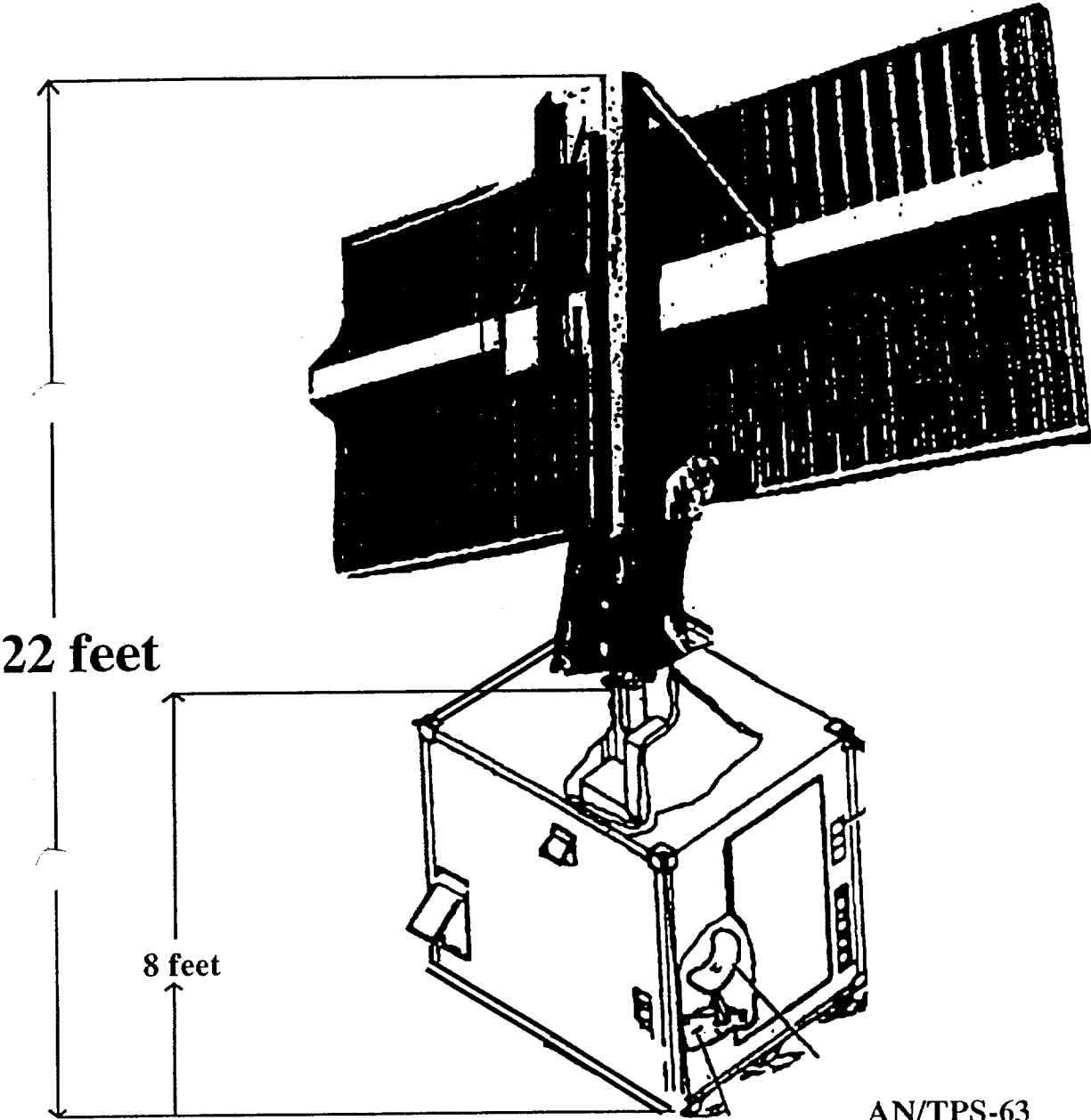
The answer to question 15 is yes. The overall height of the AN/TPS 63 and AN/TPS-70 radar antennas is 22 feet. Two antenna sketches, Exhibits 1 and 2 are enclosed. Because of surrounding buildings that are higher, it is believed the temporary location of these antennas will not pose a hazard to air navigation.

If there are any questions regarding this application, please contact the undersigned at 202.857.5161.

Sincerely,

R. C. Benedict

**WCS
Exhibit 1
AN/TPS-63**



AN/TPS-63

- Antenna is mounted on the shelter
Shelter Height: 8 feet
Antenna Height: 14 feet
Total Height: 22 feet (6.8m)

WCS Exhibit 2 AN/TPS-70

