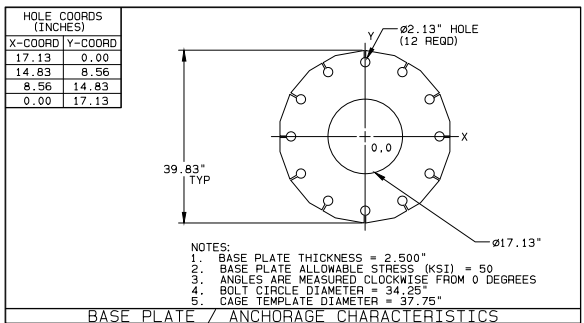


ITEM ID	NO. REQD	FEATURES	UNIT WEIGHT (LBS)	WEIGHT (LBS)
1	1	SECTION A VALMONT S-22 0.438" THK (A572 GR65)	3,556	3,556
2	1	SECTION B VALMONT S-22 0.375" THK (A572 GR65)	2,095	2,095
3	1	SECTION C VALMONT S-22 0.250" THK (A572 GR65)	1,225	1,225
4	1	BOTTOM CAGE PLATE	68	68
5	12	1.75" ANCHOR BOLT, LENGTH=5.50" A615 GR75	64	761
6	1	BASE PLATE VALMONT S-56 2.500" THK (A572 GR50)	598	598
7	1	4" HIGH PERFORMANCE (13GHZ)		
8	3	T-ARM SP1 4" S/O 5" C/A	159	477
9	3	T-ARM SP1 4" S/O 5" C/A	159	477
	1	TOP CAGE PLATE (REMOVE BEFORE SETTING POLE)	91	91
	1	SAFETY CLIMBING CABLE (LENGTH = 69.00')	72	72
	3	GROUNDING LUG	2	6
		GALVANIZING	133	133
	54	STEP AND CLIP (VALMONT STANDARD)	1	27
10	1	HAND HOLE HVY (9" x 24")	66	66
11	2	HAND HOLE STD (6" x 12")	22	44
12	3	HAND HOLE STD (6" x 12")	22	66
13	3	HAND HOLE STD (6" x 12")	22	66
	1	POLE CAP	10	10



NOTE: 1. BASE PLATE THICKNESS = 2.500"
 2. BASE PLATE ALLOWABLE STRESS (KSI) = 50
 3. ANGLES ARE MEASURED CLOCKWISE FROM 0 DEGREES
 4. BOLT CIRCLE DIAMETER = 34.25"
 5. CAGE TEMPLATE DIAMETER = 37.75"

BASE PLATE / ANCHORAGE CHARACTERISTICS

NOTES:

- FACTORED REACTIONS FOR FOUNDATION DESIGN.
 MOMENT = 18,477 IN-KIPS
 SHEAR = 25,100 #
 VERTICAL = 12,931 #
- GALVANIZED PER ASTM A-123.
- DESIGN CRITERIA: ANSI/TIA 222-G ADDENDUM 2
- THIS STRUCTURE HAS BEEN DESIGNED FOR THE FOLLOWING LOADINGS:
 EXPOSURE CATEGORY = C
 STRUCTURE CLASSIFICATION = 2
 TOPOGRAPHY CATEGORY = 1
 WIND LOAD CASES ARE BASED ON 3 SECOND GUST AND 50 YEAR WIND RETURN PERIOD
 A. CASE 1: WIND = 150 MPH WIND SPEED
 B. CASE 2: WIND = 60 MPH WIND SPEED
 C. EQUIPMENT

DESCRIPTION	ABP HT. (FT)	ABP CENTROID HT. (FT)	WITHOUT ICE EPA WT (FT**2) (LBS)	WITH ICE EPA WT (FT**2) (LBS)
6-FHH-65C-R3	69.00	69.00	60.48	414
1-FIBER OPTIC BOX	10.00	10.00	3.60	80
6-PANEL (7' X 1' X 6")	79.00	79.00	42.18	474
9-RRUS11 (20" X 17" X 7")	79.00	79.00	14.49	450
3-T-ARM SP1 4" S/O 5" C/A	79.00	79.00	6.15	477
3-T-ARM SP1 4" S/O 5" C/A	69.00	69.00	6.15	477
1-4" HIGH PERFORMANCE (13GHZ)	59.00	59.00	18.45	282

- FEEDLINES ARE PLACED INTERIOR TO POLE SHAFT (UNLESS NOTED OTHERWISE).
- TOTAL POLE HEIGHT IS 80 FT AGL.
- ELEVATIONS ARE MEASURED FROM TOP OF BASE PLATE (APPROX. 1 FT AGL).
- 18 SIDED SHAFT
- EXPOSURE AND TOPOGRAPHIC CATEGORIES ASSUMED.

SECTION INFORMATION					
ITEM ID	LENGTH	BASE OD	TOP OD	THK	MATL
1	31'-0.00"	28.00"	21.43"	0.438"	A572 65 KSI
2	26'-0.00"	23.03"	17.51"	0.375"	A572 65 KSI
3	29'-6.00"	18.75"	12.50"	0.250"	A572 65 KSI

ORDER	PROJECT	FILE ID	SCALE	DATE	ENGR
	407670	407670R0	NONE	04/06/18	NARI

DESCRIPTION: VIYA 80' POLE, SITE: ST. THOMAS 407670

