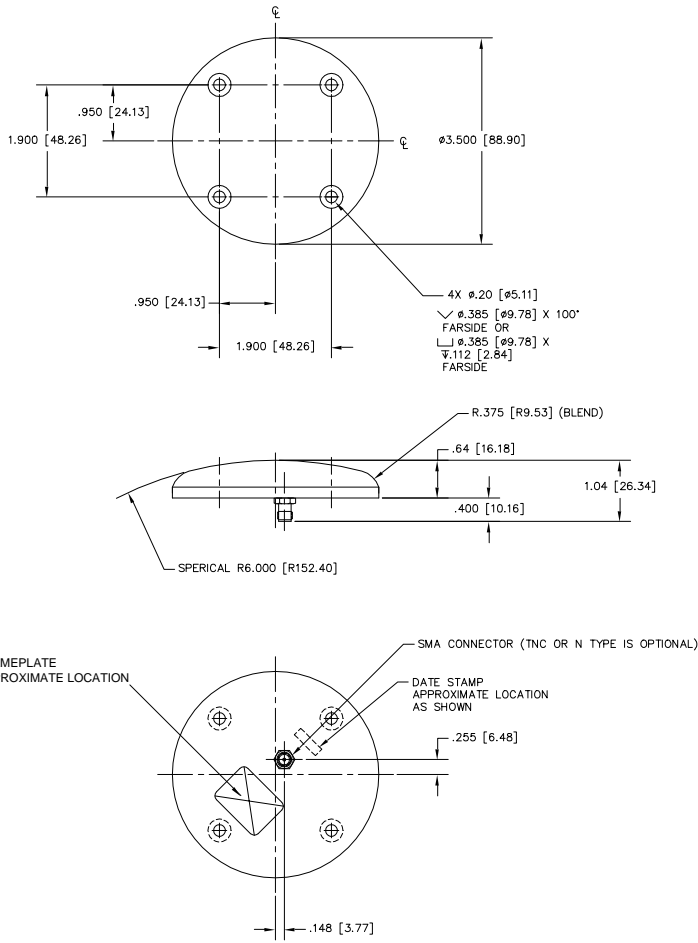


NOTICE OF PROPRIETARY RIGHTS  
 THIS DOCUMENT CONTAINS CONFIDENTIAL TECHNICAL DATA INCLUDING TRADE SECRETS PROPRIETARY TO ANTCOM CORP. DISCLOSURE OF THIS DATA TO YOU IS EXPRESSLY CONDITIONED UPON YOUR AGREEMENT THAT ITS USE IS LIMITED TO USE WITHIN YOUR COMPANY ONLY (AND DOES NOT INCLUDE MANUFACTURE OR PROCEEDING THEREIN). ANY OTHER USE IS STRICTLY PROHIBITED WITHOUT WRITTEN CONSENT OF ANTCOM CORP.

REVISIONS				
ZONE	REV	DESCRIPTION	DATE	APPROVED



**SPECIFICATIONS**

**ELECTRICAL:**  
 FREQUENCY: L1: (1575.42±10) MHz  
 L2: (1227.0±10) MHz  
 VSWR: 1.5:1  
 OUTPUT IMPEDANCE: 50  $\Omega$   
 POLARIZATION: RIGHT HAND CIRCULARLY POLARIZED (RHCP)  
 ANTENNA GAIN: +3.5 dBiic  
 DC GROUNDING: YES (LIGHTENING PROTECTION)  
 LNA GAIN: (33.0+/-3.0) dB  
 LNA NOISE FIGURE: 2.4 dB (Filter loss is Included)  
 LNA P 1dB Out: +16 dBm  
 LNA DRAWING CURRENT: 60 mA  
 LNA VOLTAGE: (+2.8 TO +28) Volts DC, DIRECT FROM RF CONNECTOR  
 REJECTION: 2 2-POLE FILTERS FOR EACH BAND

**MECHANICAL:**  
 SIZE: DIAMETER 3.50 in. [88.90 mm]  
 HEIGHT .64 in. [16.18 mm]  
 WEIGHT: 6.56 oz. (.186 Kg)  
 FINISH: SKYDROL RESISTANT POLYURETHANE ENAMEL  
 BASE IRIDITE PER MIL-C-5441  
 COLOR: GLOSS WHITE #17925 PER FED-STD-595B  
 LUSTERLESS GRAY #36320 PER FED-STD-595B  
 OLIVE DRAB GREEN #34031 PER FED-STD-595B  
 LUSTERLESS BLACK #37038 PER FED-STD-595B  
 MATERIAL: 6061-T6 ALUMINUM ALLOY BASE  
 THERMOSET PLASTIC RADOME, UV, ABRASION AND SKYDROL RESISTANCE  
 CONNECTOR: SMA FEMALE  
 (TNC, OR N TYPE IS OPTIONAL)

**ENVIRONMENTAL:**  
 TEMPERATURE: -67°F TO +185°F [-55°C TO +85°C]  
 ALTITUDE: 70,000 ft.  
 VIBRATION: 10 G's  
 LEAKAGE: HERMETICALLY SEAL

**FEDERAL & MILITARY SPECIFICATIONS:**  
**DESIGN TO:** FAA TSO-C144, DO-160D, DO-228, MIL-C-5541, MIL-E-5400, MIL-I-45208A, AND MIL-STD-810

QUANTITY REQD	DESCRIPTION	PART NO	SPECIFICATION	MATERIAL	FINISH	ITEM NO
4	SCREW, MOUNTING	MS24693C273	-	-	-	5
A/R	WASHER, CUSTOM C'SINK	3G15P1001-6	-	-	-	3
1	GASKET	3G15P1001-1	-	-	-	1
-2	-1	-	-	-	-	-

UNLESS OTHERWISE SPECIFIED DIMENSIONS ARE IN INCHES FRACTIONS DECIMALS ANGLES $\pm 1/64$ .005 .010 $\pm .0008$ .005 $\pm 1^\circ$ TOLERANCE 5/16 PER ANSI Y14.5 REMOVE ALL BURRS BREAK EXTERNAL EDGES .005 TO .015 FILE TO R .005 TO R .020 DIMS ON A COMMON $\varnothing .0005$ -.0010 MACHINED SURFACES $\sqrt{R}$	DRAWN CHECKED ENGINEER APPROVED S. HUYNH 01-05-29	TORRENCE, CALIFORNIA <b>ANTCOM CORP.</b> OUTLINE DRAWING L1/L2 ACTIVE GPS ANTENNA DRAWING NO <b>3G1215A-XS-1</b> SCALE 1/1 SHEET 1 OF 1	
	DO NOT SCALE DRAWING	REV NO D	DATE NO 01-05-29
	ORIGINAL DOCUMENT WAS SHIP IN RED	REV 1	DATE 01-05-29
	DO NOT SCALE DRAWING	REV 1	DATE 01-05-29

- CUSTOM WASHERS AND MOUNTING SCREWS ARE SUPPLIED BY ANTCOM CORPORATION
- DIMENSIONS IN BRACKETS ARE IN MILLIMETERS [mm]

NOTES: UNLESS OTHERWISE SPECIFIED: