

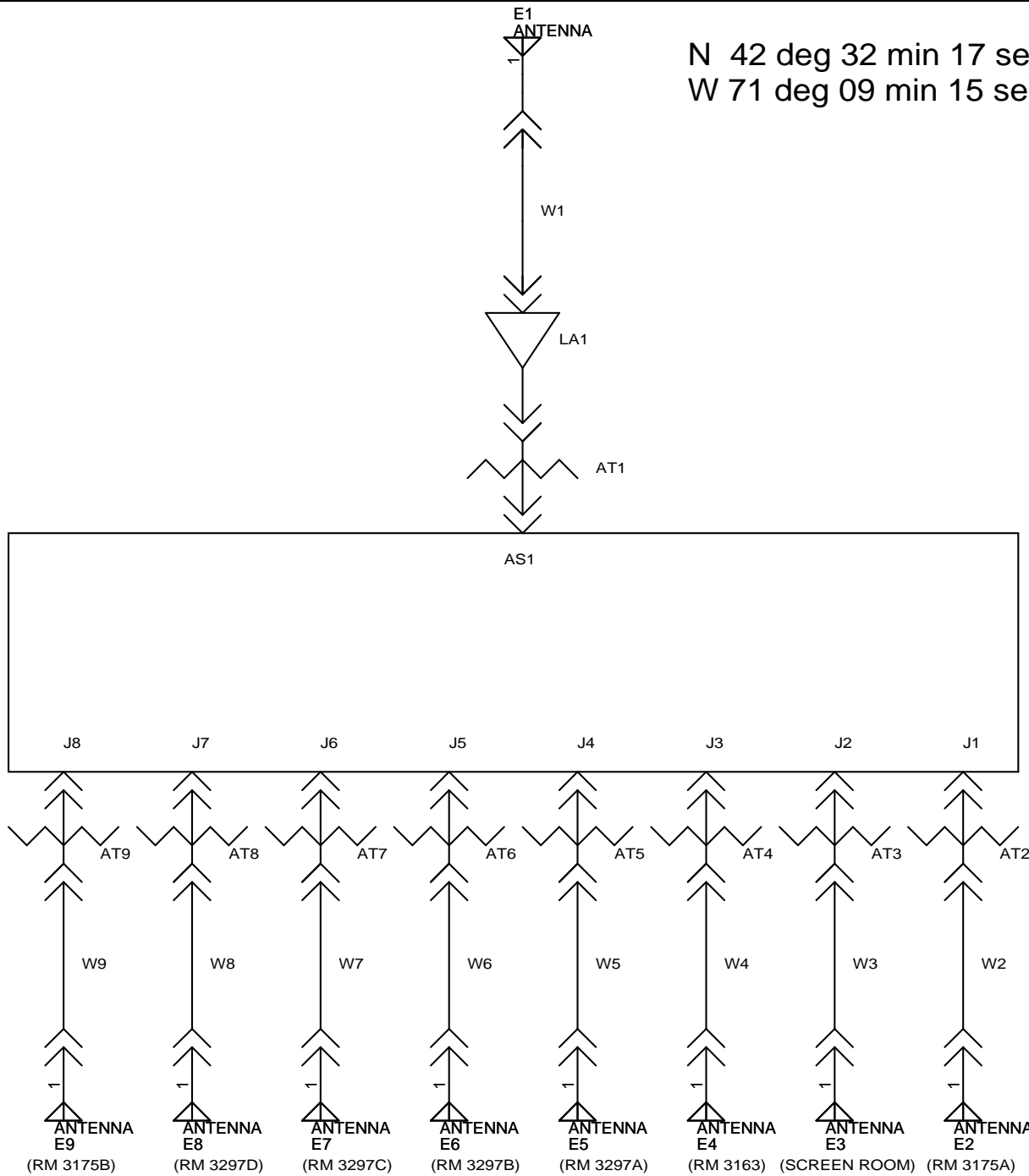
N 42 deg 32 min 20 sec
W 71 deg 09 min 20 sec

PARTS LIST

REF DES	PART NUMBER	DESCRIPTION	MFR
E1	3G1215A-XS-1	ACTIVE ANTENNA	ANTCOM CORP
W1	LMR-400	COAX CABLE, L = 100 FTTIMES MICROWAVE	
LA1	VGLA20RPDC	LINE AMPLIFIER	GPS NETWORKING
W2	LMR-400	COAX CABLE, L = 30 FTTIMES MICROWAVE	
E2	2G1215P-XT-1	PASSIVE ANTENNA	ANTCOM CORP

TEXTRON SYSTEMS		
201 LOWELL ST., WILMINGTON, MA 01887		
Title GPS Re-Radiator - Room 9002 (SEEK EAGLE)		
Size A	Document Number <Doc>	Rev -
Date:	Wednesday, May 05, 2010	Sheet 1 of 1

N 42 deg 32 min 17 sec
W 71 deg 09 min 15 sec



PARTS LIST

REF DES	PART NUMBER	DESCRIPTION	MFR
E1	3G1215A-XS-1	ACTIVE ANTENNA	ANTCOM CORP
W1	RG213/U	COAX CABLE, L = 23 FT	PASTERNAK
LA1	VGLA20RPDC	LINE AMPLIFIER	GPS NETWORKING
AS1	NALDCBS1X8-N/5/110	AMPLIFIED SPLITTER	GPS NETWORKING
W2	LMR-400-100-NM	COAX CABLE, L = 100FT	NavtechGPS
W3	RG213/U	COAX CABLE, L = 113 FT	PASTERNAK
W4	RG213/U	COAX CABLE, L = 157.5 FT	PASTERNAK
W5	LMR-400	COAX CABLE, L = 59 FT	TIMES MICROWAVE
W6	LMR-400-75-NM	COAX CABLE, L = 75 FT	NavtechGPS
W7	LMR-400-75-NM	COAX CABLE, L = 75 FT	NavtechGPS
W8	LMR-400-75-NM	COAX CABLE, L = 75 FT	NavtechGPS
W9	LMR-400-100-NM	COAX CABLE, L = 100FT	NavtechGPS
AT1	MDC1110N-1	ATTENUATOR, 1 dB	MIDISCO
AT2	MDC1110N-18	ATTENUATOR, 18 dB	MIDISCO
AT3	MDC1110N-16	ATTENUATOR, 16 dB	MIDISCO
AT4	MDC1110N-12	ATTENUATOR, 12 dB	MIDISCO
AT5	MDC1110N-21	ATTENUATOR, 21 dB	MIDISCO
AT6	MDC1110N-21	ATTENUATOR, 21 dB	MIDISCO
AT7	MDC1110N-21	ATTENUATOR, 21 dB	MIDISCO
AT8	MDC1110N-22	ATTENUATOR, 22 dB	MIDISCO
AT9	MDC1110N-20	ATTENUATOR, 20 dB	MIDISCO
E2 -E4	2G1215P-XT-1	PASSIVE ANTENNA	ANTCOM CORP
E5 -E9	2G1215P-XN-1	PASSIVE ANTENNA	ANTCOM CORP

TEXTRON SYSTEMS 201 LOWELL ST., WILMINGTON, MA 01887

Title		
GPS Re-Radiator - Room 3297 (SIL)		
Size	Document Number	Rev
A	<Doc>	B
Date:	Wednesday, May 05, 2010	Sheet 1 of 1

5

4

3

2

1

5

4

3

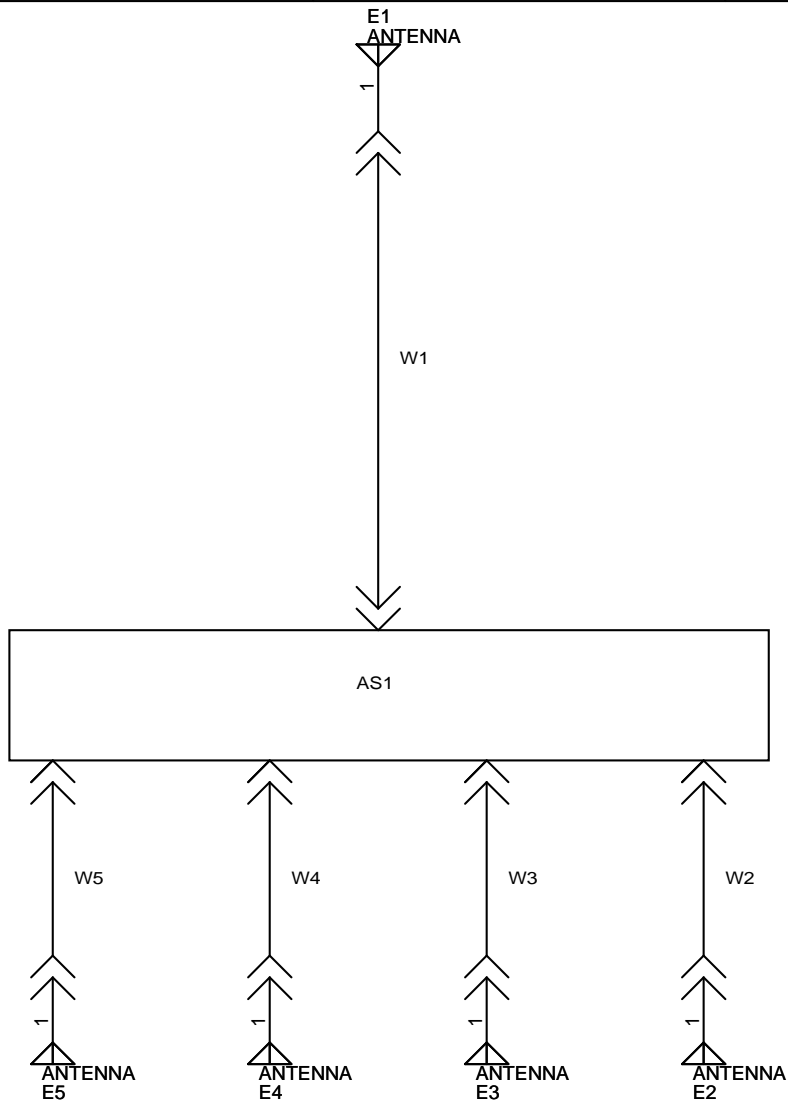
2

1

N 42 deg 32 min 19 sec
 W 71 deg 09 min 20 sec

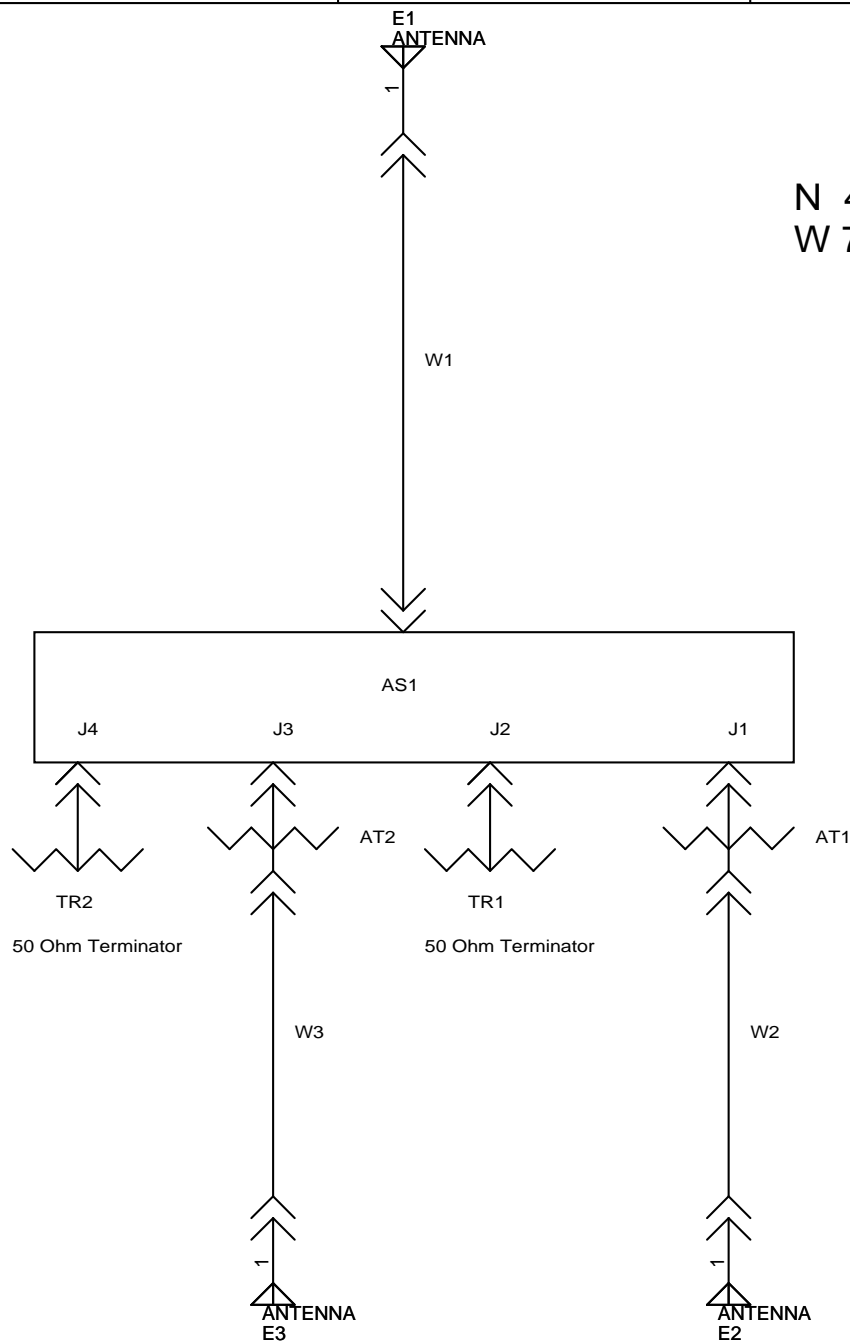
PARTS LIST

REF DES	PART NUMBER	DESCRIPTION	MFR
E1	3G1215A-XS-1	ACTIVE ANTENNA	ANTCOM CORP
W1	RG213/U	COAX CABLE, L = 36 FT	PASTERNAK
AS1	ALDCBS1X4-N	AMPLIFIED SPLITTER	GPS NETWORKING
W2-W5	RG213/U	COAX CABLE, L = 70 FT	PASTERNAK
E2 -E5	2G1215P-XT-1	PASSIVE ANTENNA	ANTCOM CORP



TEXTRON SYSTEMS 201 LOWELL ST., WILMINGTON, MA 01887		
Title GPS Re-Radiator - Room 4072 (ETL)		
Size A	Document Number <Doc>	Rev A
Date:	Wednesday, May 05, 2010	Sheet 1 of 1

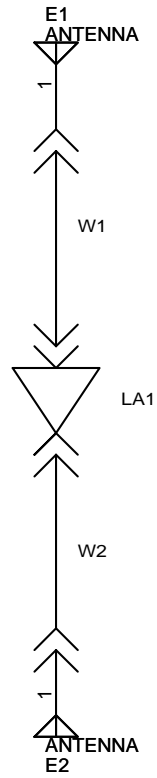
N 42 deg 32 min 21 sec
W 71 deg 09 min 18 sec



PARTS LIST

REF DES	PART NUMBER	DESCRIPTION	MFR
E1	3G1215A-XS-1	ACTIVE ANTENNA	ANTCOM CORP
W1	LMR-400	COAX CABLE, L = 50.5 FT	TIMES MICROWAVE
AS1	ALDCBS1X4-N	AMPLIFIED SPLITTER	GPS NETWORKING
W2	LMR-400	COAX CABLE, L = 23 FT	TIMES MICROWAVE
W3	LMR-400	COAX CABLE, L = 100FT	TIMES MICROWAVE
AT1	MDC1110N-1	ATTENUATOR, 1dB	MIDISCO
AT2	MDC1110N-5	ATTENUATOR, 5dB	MIDISCO
E2 -E3	2G1215P-XT-1	PASSIVE ANTENNA	ANTCOM CORP
TR1-TR2	MDC1042M	50 OHM TERMINATOR	MALB MIDISCO

TEXTRON SYSTEMS		
201 LOWELL ST., WILMINGTON, MA 01887		
Title GPS Re-Radiator - Room 4037 (RVA)		
Size A	Document Number <Doc>	Rev A
Date:	Wednesday, May 05, 2010	Sheet 1 of 1

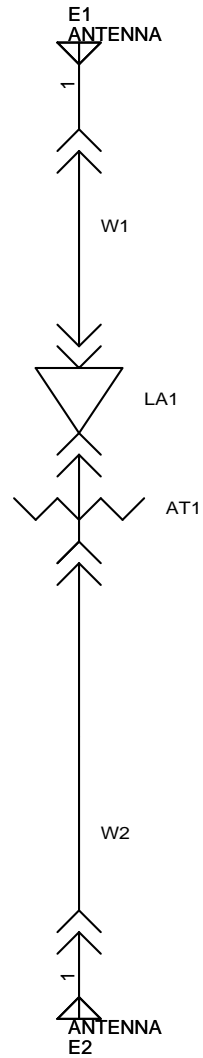


N 42 deg 32 min 19 sec
W 71 deg 09 min 17 sec

PARTS LIST

REF DES	PART NUMBER	DESCRIPTION	MFR
E1	3G1215A-XS-1	ACTIVE ANTENNA	ANTCOM CORP
W1	LMR-400	COAX CABLE, L = 100 FTTIMES MICROWAVE	
LA1	VGLA20RPDC	LINE AMPLIFIER	GPS NETWORKING
W2	LMR-400	COAX CABLE, L = 30 FTTIMES MICROWAVE	
E2	2G1215P-XT-1	PASSIVE ANTENNA	ANTCOM CORP

TEXTRON SYSTEMS		
201 LOWELL ST., WILMINGTON, MA 01887		
Title GPS Re-Radiator - Room 4005 (SCORPION Production)		
Size A	Document Number <Doc>	Rev -
Date:	Wednesday, May 05, 2010	Sheet 1 of 1

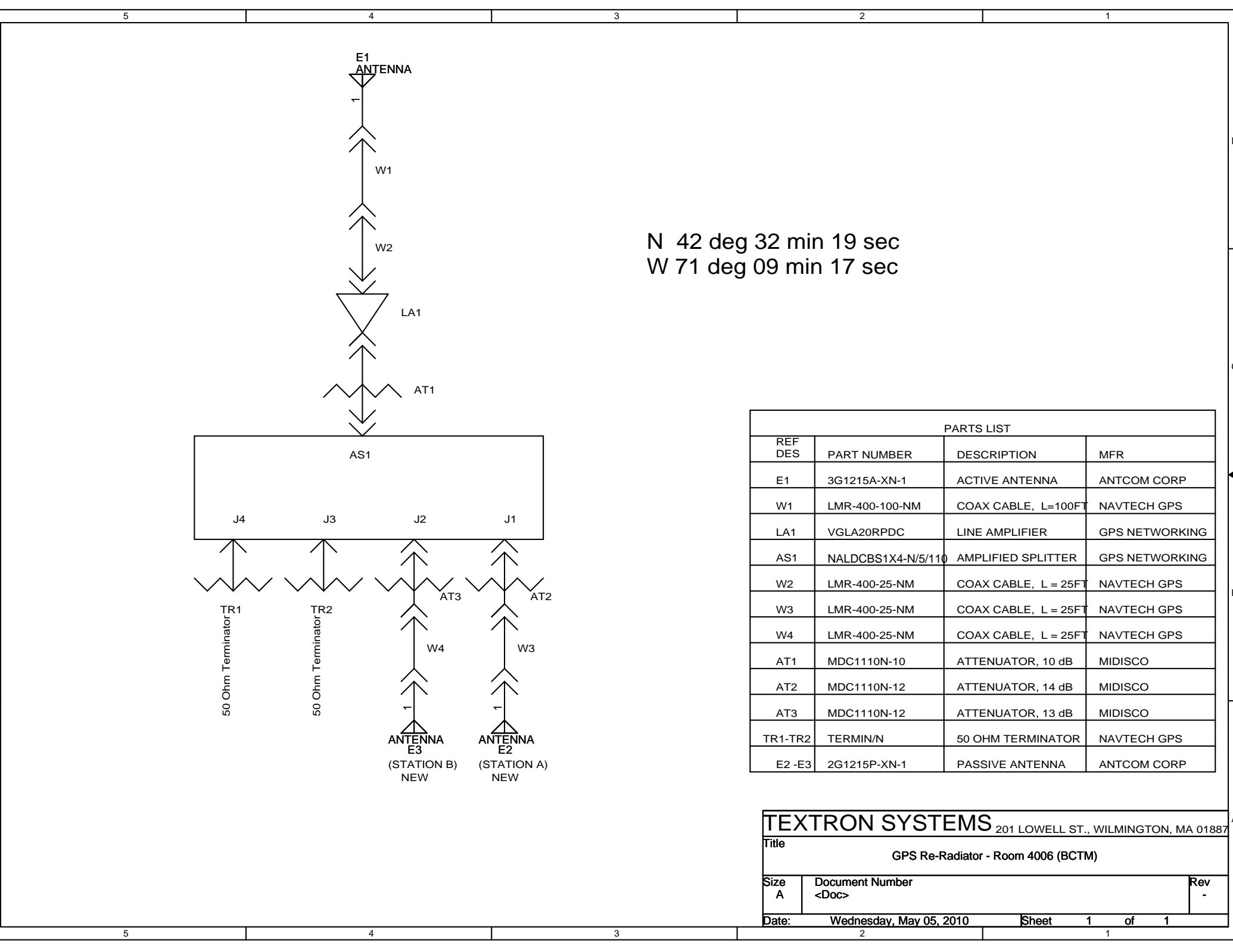


N 42 deg 32 min 15 sec
W 71 deg 09 min 20 sec

PARTS LIST

REF DES	PART NUMBER	DESCRIPTION	MFR
E1	3G1215A-XS-1	ACTIVE ANTENNA	ANTCOM CORP
W1	NM-213-NM-900"	COAX CABLE, L = 75FTMIDISCO	
LA1	VGLA20RPDC	LINE AMPLIFIER	GPS NETWORKING
AT1	MDC1110N-7	ATTENUATOR, 7 dB	MIDISCO
W2	NM-213-NM-120"	COAX CABLE, L = 10FTMIDISCO	
E2	2G1215P-XT-1	PASSIVE ANTENNA	ANTCOM CORP

TEXTRON SYSTEMS		
201 LOWELL ST., WILMINGTON, MA 01887		
Title GPS Re-Radiator - Room 3033 (Robotics Lab)		
Size A	Document Number <Doc>	Rev -
Date:	Wednesday, May 05, 2010	Sheet 1 of 1



N 42 deg 32 min 19 sec
W 71 deg 09 min 17 sec

PARTS LIST			
REF DES	PART NUMBER	DESCRIPTION	MFR
E1	3G1215A-XN-1	ACTIVE ANTENNA	ANTCOM CORP
W1	LMR-400-100-NM	COAX CABLE, L=100FT	NAVTECH GPS
LA1	VGLA20RPDC	LINE AMPLIFIER	GPS NETWORKING
AS1	NALDCBS1X4-N/5/110	AMPLIFIED SPLITTER	GPS NETWORKING
W2	LMR-400-25-NM	COAX CABLE, L = 25FT	NAVTECH GPS
W3	LMR-400-25-NM	COAX CABLE, L = 25FT	NAVTECH GPS
W4	LMR-400-25-NM	COAX CABLE, L = 25FT	NAVTECH GPS
AT1	MDC1110N-10	ATTENUATOR, 10 dB	MIDISCO
AT2	MDC1110N-12	ATTENUATOR, 14 dB	MIDISCO
AT3	MDC1110N-12	ATTENUATOR, 13 dB	MIDISCO
TR1-TR2	TERMIN/N	50 OHM TERMINATOR	NAVTECH GPS
E2 -E3	2G1215P-XN-1	PASSIVE ANTENNA	ANTCOM CORP

TEXTRON SYSTEMS 201 LOWELL ST., WILMINGTON, MA 01887

Title: GPS Re-Radiator - Room 4006 (BCTM)

Size A	Document Number <Doc>	Rev -
--------	-----------------------	-------

Date: Wednesday, May 05, 2010 Sheet 1 of 1