

MT-364054/ND

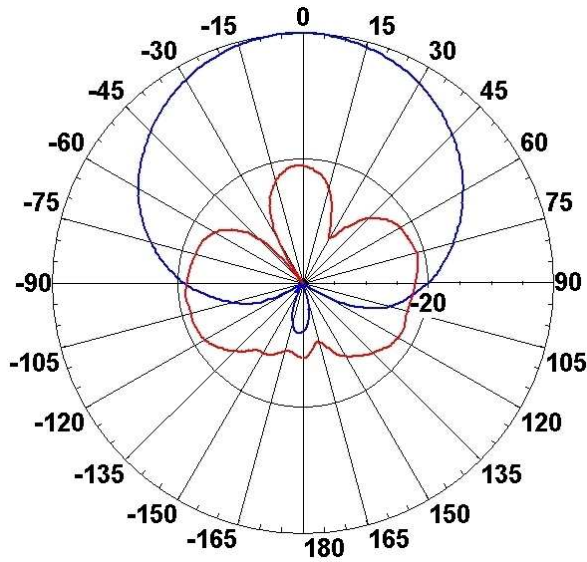
2.3-2.7GHz 17dBi 65° Dual Slant BTS Antenna

Specifications

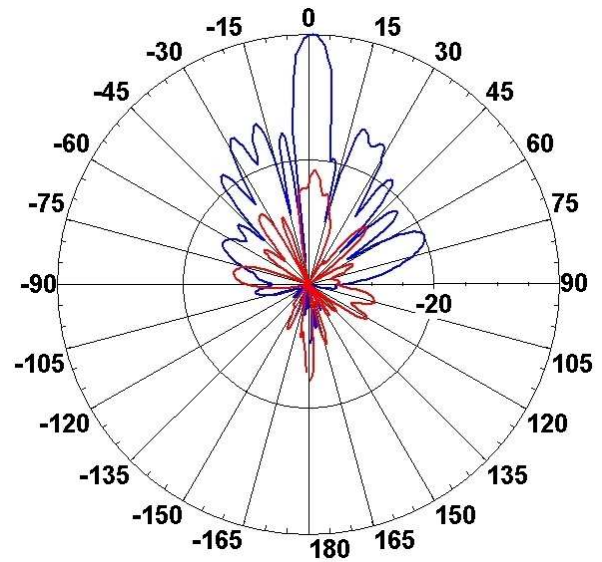
MTI PART NUMBER		MT - 364054/ND		
ELECTRICAL				
REGULATORY COMPLIANCE	ETSI EN 302 326- V1.1.2 (2006-03), RoHS, CE 0682			
FREQUENCY RANGE	2.3-2.7 GHz			
GAIN	16 dBi (min) @ 2.3-2.5 GHz, 17.5 ±0.5 dBi @ 2.5-2.7 GHz			
VSWR	1.5 : 1 (typ) 1.7:1 (max)			
AZIMUTH BEAMWIDTH @ 13.5 dBi	65°			
ELEVATION BEAMWIDTH @ -3dB	7°			
POLARIZATION	Dual Linear ± 45°			
CROSS POLARIZATION	-20 dB (max) @ 2.3-2.5 GHz, -17 dB (max) @ 2.5-2.7 GHz			
SIDE LOBES LEVEL AZIMUTH & ELEVATION	Meets ETSI EN 302 326- V1.1.2 (2006-03)			
SIDE LOBES LEVEL for AZIMUTH in the range (± 100 TO ± 180 from BORESIGHT)	-20 dB (max) @ 2.3-2.5 GHz -25 dB (max) @ 2.5-2.7 GHz			
F/B RATIO	-30 dB (max)			
PORT-TO-PORT ISOLATION	23 dB (min), 30 dB (typ)			
INPUT IMPEDANCE	50 (ohm)			
INPUT POWER	20W			
LIGHTNING PROTECTION	DC Grounded			
MECHANICAL				
DIMENSIONS (LxWxD)	945 x 126 x 37mm (max)			
WEIGHT	3.0 kg (max)			
CONNECTOR	2 x N-Type Female			
RADOME	Plastic UV Resistant			
BASE PLATE	Aluminum with chemical conversion coating			
OUTLINE DRAWING	See page 2			
MECHANICAL DOWN TILT	0° to -10°			
MOUNTING KIT	MT-120021/A			
ENVIRONMENTAL				
TEST	STANDARD	DURATION	TEMPERTURE	NOTES
LOW TEMPERATURE	IEC 68-2-1	72 h	-55 °C	-
HIGH TEMPERATURE	IEC 68-2-2	72 h	+71 °C	-
TEMP. CYCLING	IEC 68-2-14	1 h	-45 °C +70 °C	3 Cycles
VIBRATION	IEC 60721-3-4	30 min/axis		Random4M3
SHOCK MECHANICAL	IEC 60721-3-4		-	4M3
HUMIDITY	ETSI EN300-2-4 T4.1E	-	-	95%
WATER TIGHTNESS	IEC 529	144 h	-	IP64
SOLAR RADIATION	ASTAM G53	-	-	-
FLAMMABILITY	UL 94	1000 h	-	Class HB
SALT SPRAY	IEC 68-2-11 Ka	-	-	-
ICE AND SNOW	-	500 h	-	25mm Radial
WIND SPEED SURVIVAL OPERATION	-	-	-	220 Km/h 160 Km/h
WIND LOAD SUR. FRONT TH. SIDE THRUST	-	-	-	34 kg 10 kg

2.3-2.7 GHz 17 dBi 65° Dual Slant BTS Antenna

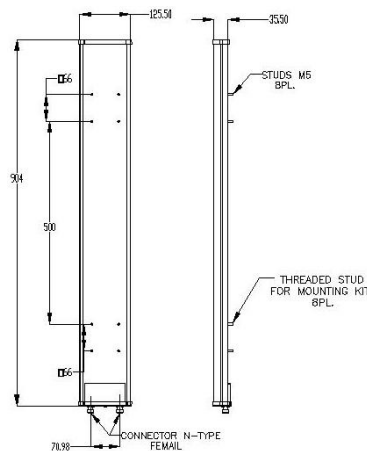
Azimuth Radiation Pattern
 Midband Freq. 2.4 GHz



Elevation Radiation Pattern
 Midband Freq. 2.4 GHz



Dimensions [mm]



MTI Wireless Edge is certified according to ISO 9001 and ISO 14001.

WAIVER!

While the information contained in this document has been carefully compiled to the best of our present knowledge, it is not intended as presentation or warranty of any kind on our part regarding the fitness of the products concerned for any particular use or purpose and neither shall any statement contained herein be construed as a recommendation to infringe any industrial property rights or as a license to use any such rights. The fitness of each product for any particular purpose must be checked beforehand with our specialists.

MTI Wireless Edge Ltd.

11 Hamelacha St.
 Afek Industrial Park
 Rosh Ha'ayin 48091, Israel
 Tel: +972-3-9008900
 Fax: +972-3-9008901
www.mtiwe.com

Document No: MT-364054/ND
 Issued: 10/11/2009

Uncontrolled Copy