



MT – 404082/NVH 3.3 – 3.8 GHz, 14.5dBi 120° Dual Pol. Sector Antenna



ELECTRICAL

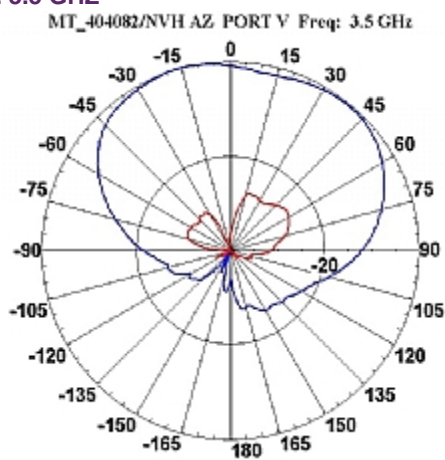
REGULATORY COMPLIANCE	RoHS, CE 0682
FREQUENCY RANGE	3.3-3.8 GHz
GAIN	13.5 dBi (min) , 14.5 dBi (typ)
VSWR	2 :1 (max) 1.7 : 1 (typ)
POLARIZATION	Linear Vertical & Horizontal
3DB ELEVATION BEAMWIDTH	7° (typ)
3DB AZIMUTH BEAMWIDTH	120° (typ)
ELEVATION SIDELobe LEVEL	10dB (typ)
F/B RATIO	20dB (min)
CROSS POLARIZATION	20dB (typ)
PORT TO PORT ISOLATION	35 dB (min)
POWER	10W (max)
INPUT IMPEDANCE	50 (ohm)
MECHANICAL	
DIMENSIONS (LXWXD)	281x651x91 mm max
CONNECTOR	2 xN-Type Female
WEIGHT	3.5 kg (max)
MOUNTING KIT	MT-120025
RADOME MATERIAL	Plastic, UV Resistant
BASE PLATE MATERIAL	Aluminum with chemical conversion coating
OUTLINE DRAWING	RD43622100C

ADD TO COMPARISON | COMPARE

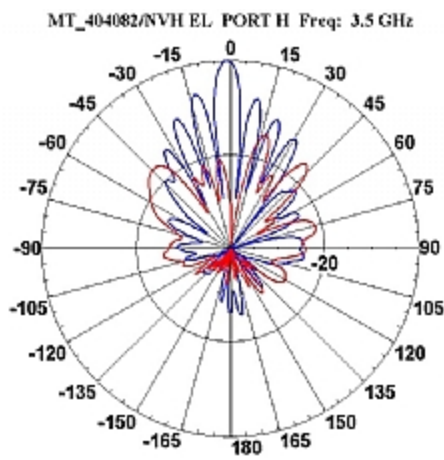
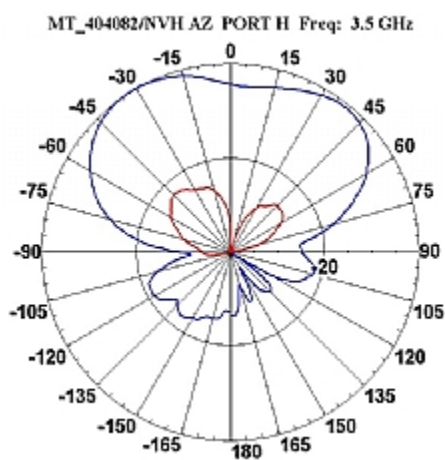
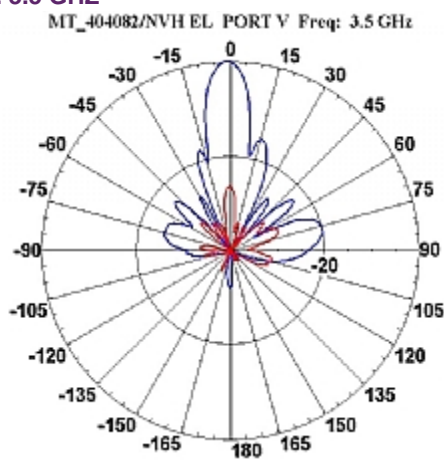
TEST	STANDARD	DURATION	TEMPERATURE	NOTES
LOW TEMPERATURE	IEC 68-2-1	72 h	-55°C	
HIGH TEMPERATURE	IEC 68-2-2	72 h	+71°C	
TEMP. CYCLING	IEC 68-2-14	1 h	-45°C +70°C	3 Cycles
VIBRATION	IEC 60721-3-4	30 min/axis		Random4M5
SHOCK MECHANICAL	IEC 60721-3-4			4M5

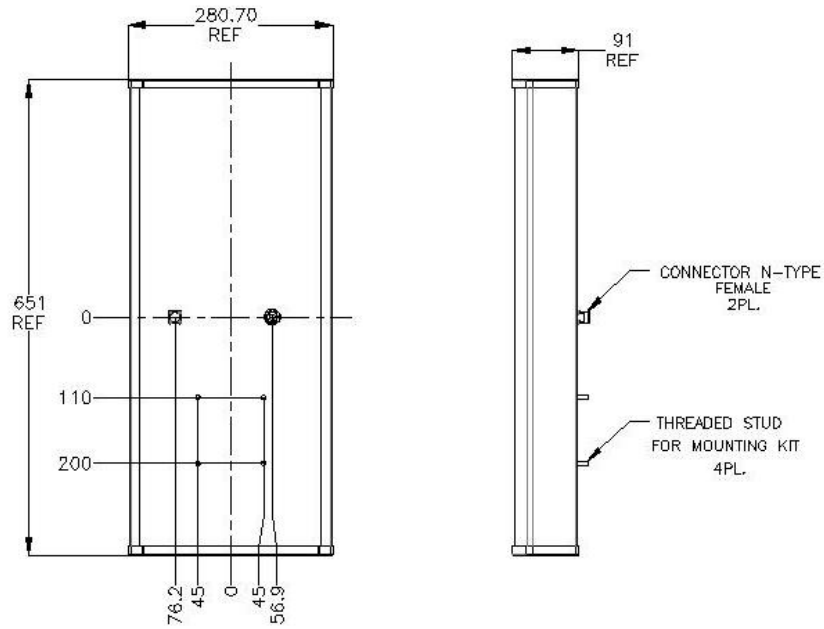
HUMIDITY	ETSI EN300-2-4 T4.1E	144 h	95%
WATER TIGHTNESS	IEC 529		IP67
SOLAR RADIATION	ASTM G53	1000h	
FLAMMABILITY	UL 94		Class HB
SALT SPRAY	IEC 68-2-11 Ka	500h	
ICE AND SNOW			25mm Radial
WIND SPEED SURVIVAL OPERATION			220 Km/h 160 Km/h
WIND LOAD (SURVIVAL)			52.0 kg
FRONT THRUST			16.9 kg
SIDE THRUST			

**AZIMUTH RADIATION PATTERN MIDBAND
FREQ. 3.5 GHZ**



**ELEVATION RADIATION PATTERN MIDBAND
FREQ. 3.5 GHZ**





WAIVER!

While the information contained in this document has been carefully compiled to the best of our present knowledge, it is not intended as presentation or warranty of any kind on our part regarding the fitness of the products concerned for any particular use or purpose and neither shall any statement contained herein be construed as a recommendation to infringe any industrial property rights or as a license to use any such rights. The fitness of each product for any particular purpose must be checked beforehand with our specialists.

MTI Wireless Edge Ltd.

11 Hamelacha St. Afek Industrial Park Rosh Ha'ayin 48091, Israel
Tel: +972-3-9008900 | Fax: +972-3-9008901 | www.mtiwe.com