

## COMTELCO

### Technical Specification

Y42400WB

### 400MHz-800MHz 7dBd / 9dBi

### WIDE BAND YAGI ANTENNA

**High Performance:** This 10 element yagi antenna provides 7dBd /9dBi gain with excellent wide band performance.

**Rugged and weatherproof:** Our hybrid radome construction provides excellent weather protection for our driven element. The radome is constructed of UV inhibited ABS. The heavy duty mounting plate is extruded aluminum. Stainless steel V bolts are provided for long term reliability and resistance to corrosion.

**Lightweight and Durable:** This yagi antenna is easily installed by one person, yet is designed to withstand 125 MPH winds.

**Termination Options:**

**Type A:** 12" Teflon pigtail with N connector.



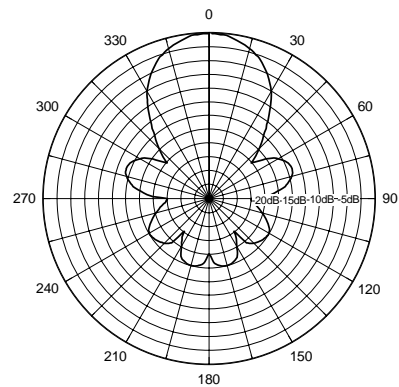
### ELECTRICAL SPECIFICATIONS

<b>GAIN:</b>	7dBd / 9dBi
<b>FREQUENCY@</b>	
<b>VSWR &lt;1.5:1</b>	400-800MHz
<b>&lt;2.2:1</b>	400-1000MHz
<b>F to B RATIO:</b>	20dB
<b>VERT BEAMWIDTH:</b>	35°
<b>HORIZ BEAMWIDTH:</b>	30°
<b>POWER RATING:</b>	150 watts
<b>IMPEDANCE:</b>	50 ohms

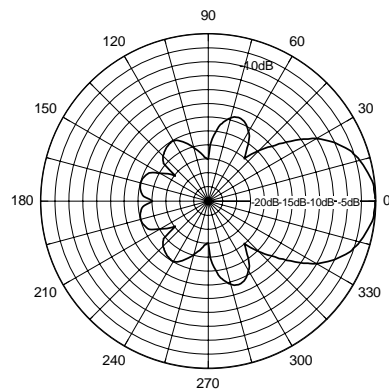
### MECHANICAL SPECIFICATIONS

<b>MATERIAL:</b>	Aluminum & Brass booms 3/16" solid elements
<b>RADOME:</b>	3" UV inhibited ABS
<b>LENGTH:</b>	15"
<b>HEIGHT:</b>	14"
<b>WEIGHT:</b>	2 lb.
<b>MOUNTING:</b>	2 1/2" mast maximum
<b>FLAT PLATE AREA:</b>	.12 ft <sup>2</sup>
<b>WIND RATING:</b>	125 MPH
<b>WIND LOAD:</b>	8.1 lbs.

**Horizontal Pattern**



**Vertical Pattern**



800.949.7079

order online today at [www.talleycom.com](http://www.talleycom.com)