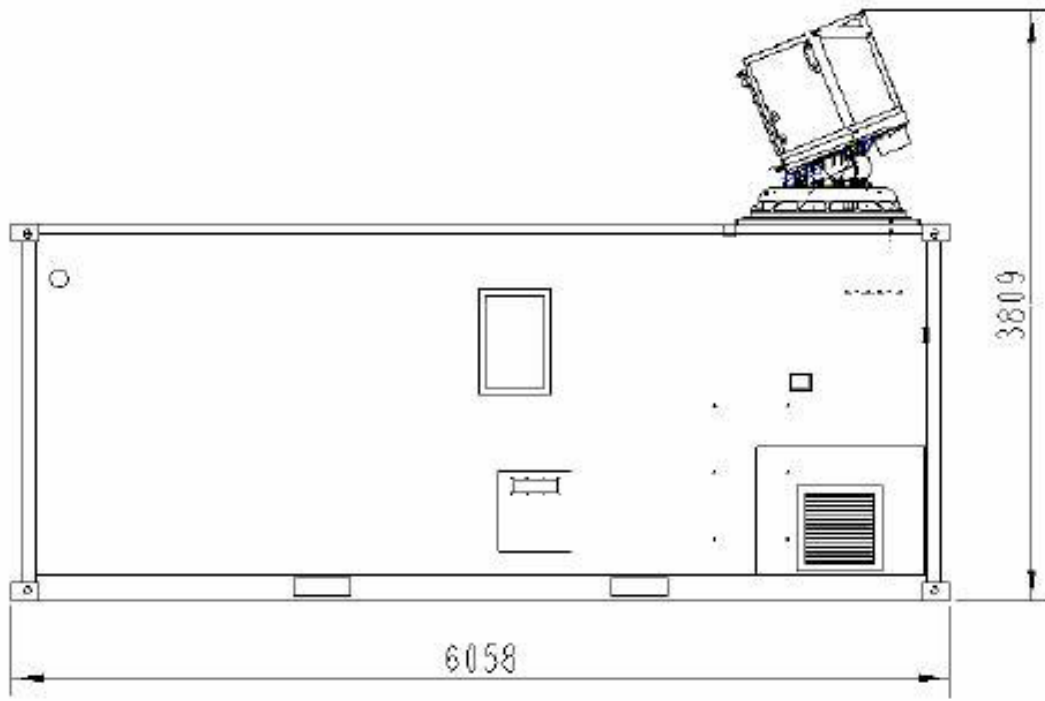
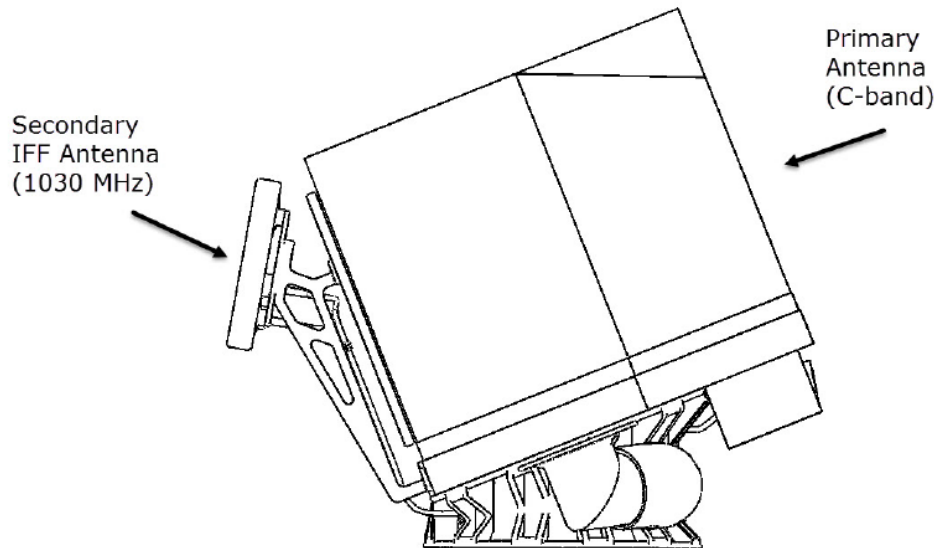


## Antenna Sketch



**Figure 1 – Current PSR antenna installed on system enclosure without SSR/IFF antenna**



**Figure 2 – New PSR configuration with IFF Interrogator Antenna UKY 401 08 installed**