

Requested Modification and Justification

To fulfill contract obligations with our customer, the United States Navy (via General Dynamics-AIS), Saab Defense and Security (SDAS) USA LLC is requesting a modification to add transmit frequency 1030 MHz to its current license, file number 0001-EX-TC-2014. SDAS is under contract to integrate, test and deliver several Sea GIRAFFE (SG) AMB (AN/TPS-77 V (2)) Radars equipped with an AN/UPX-37 interrogators and Secondary Surveillance Radar /Identification of Friend or Foe (SSR/IFF) antennas. This new configuration integrates the SSR/IFF antennas as part of the Primary Surveillance Radar (PSR) antenna and rotating pedestal assembly. The previous antenna configuration for the radar is shown in Figure 1. Figure 2 shows the new antenna configuration with SSR/IFF antennas (Interrogator antenna and Back-filler element). The interrogator antenna is located behind, back-to-back, with the PSR antenna, and the Back-filler element (monopole) is located on the top of the PSR antenna. This new antenna configuration simply adds two SSR/IFF antennas to the existing PSR antenna; there are no changes to the PSR affecting its electrical performance.

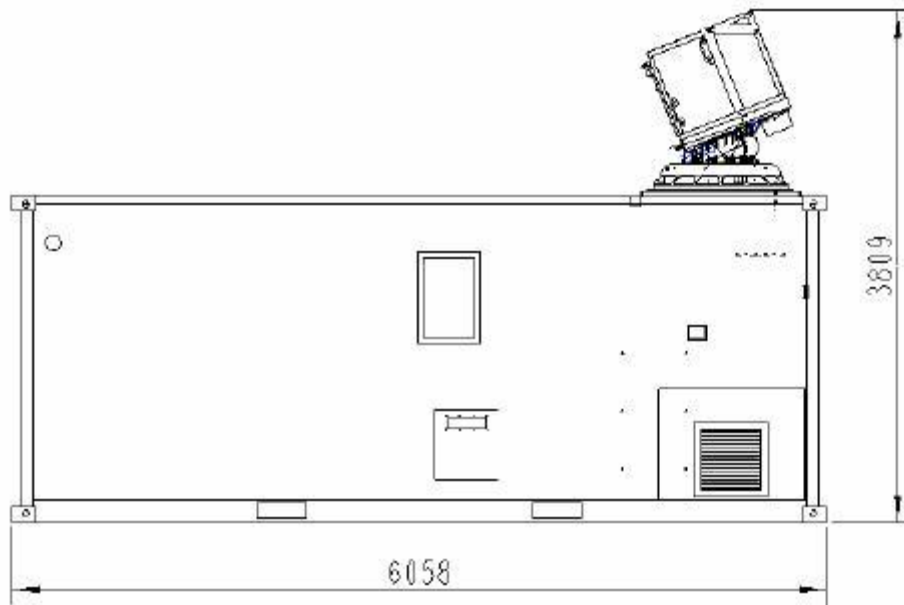


Figure Error! No text of specified style in document. - Current PSR on Enclosure without SSR/IFF Antennas

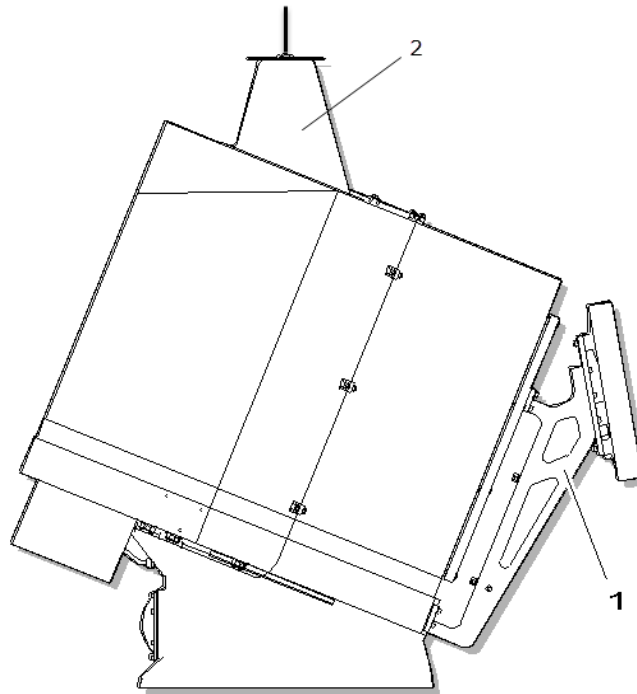


Figure 1 - New Configuration with SSR/IFF Antennas (side-view); 1-Interrogator Antenna UKY 401 08, and 2-Back-filler element

Testing with the AN/UPX-37 and two SSR/IFF Antennas (Interrogator and Back-filler) will consist of interrogating and collecting data from an assortment of “targets of opportunity”, including air targets, surface targets, stationary targets, and moving targets at various ranges, azimuths, and elevations. Interrogation waveforms will be complainant with DOD AIMS Specification 65-1000B definitions for the following mode designations: Mode 1, 2, 3/A, and C.