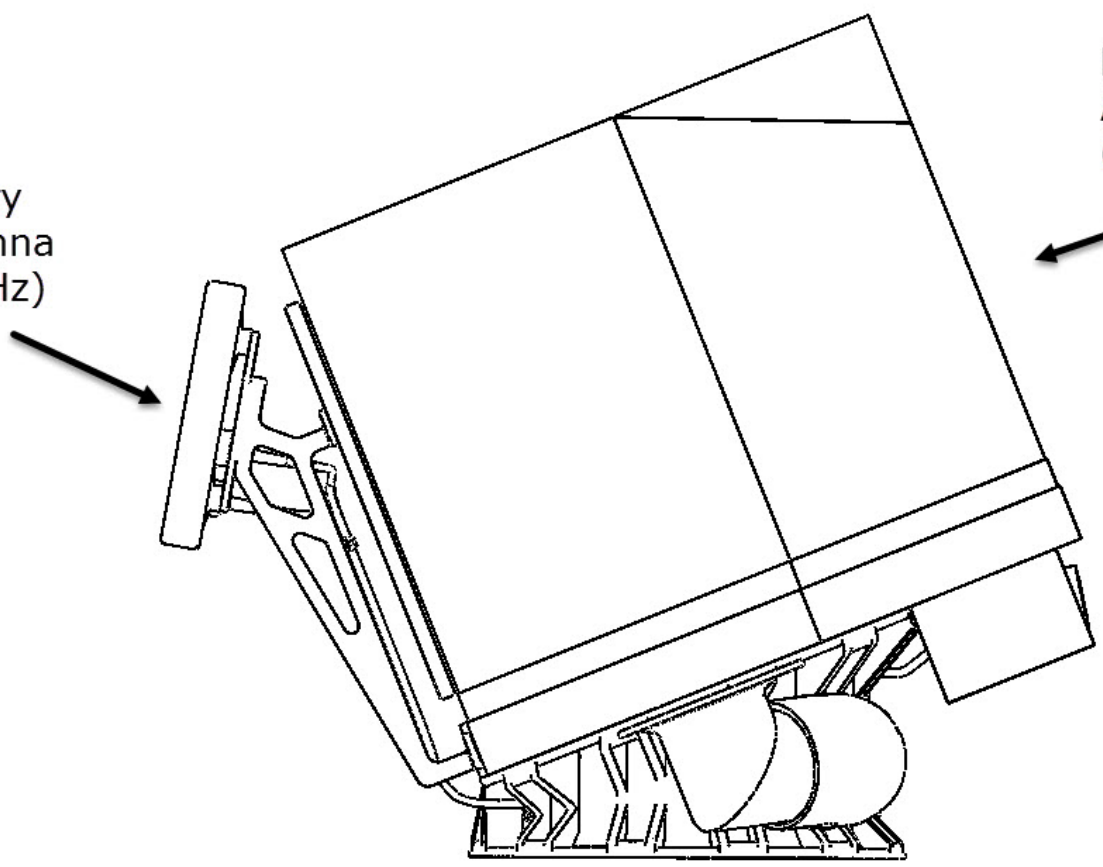


Secondary
IFF Antenna
(1030 MHz)



Primary
Antenna
(C-band)