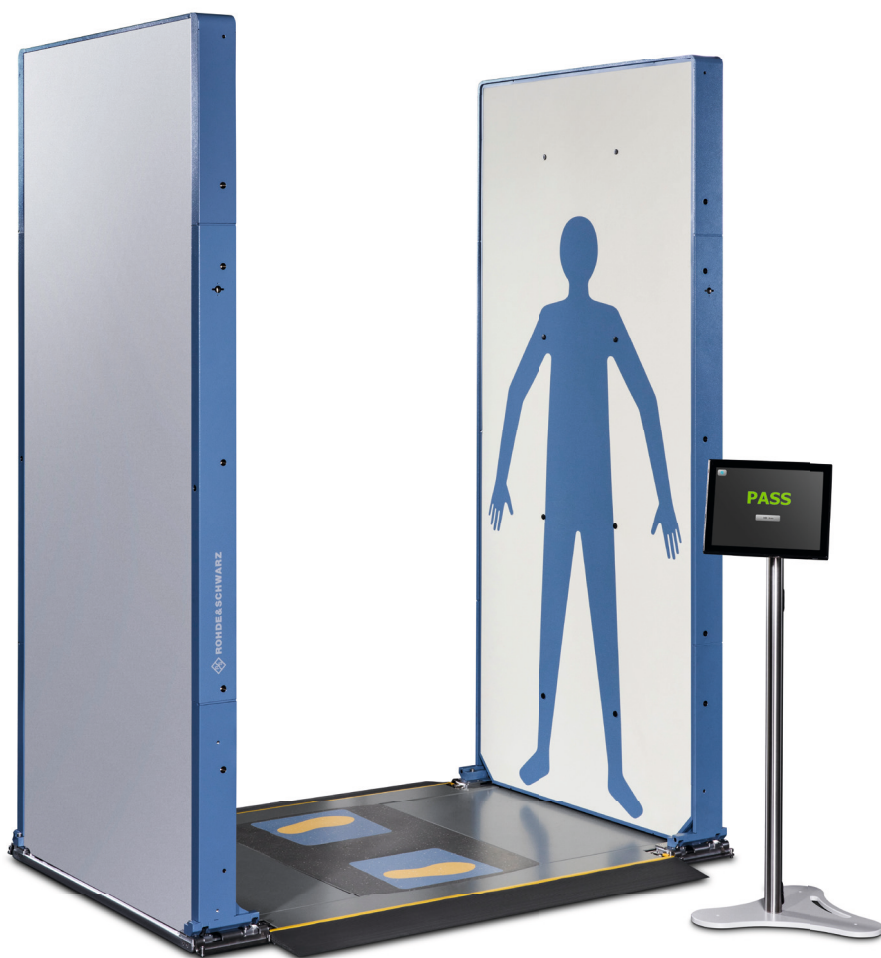


# R&S® QPS201

## Quick Personnel Security Scanner Specifications



## SPECIFICATIONS

Quick Personnel Security Scanner	Designation
R&S®QPS201	Type
3607.7792.22	PD Number (comes from editorial department)

# Specifications

## Panel

Height of person to be scanned	max.	2.00 m (6 ft 7 in)
	min.	1.00 m (3 ft 3 in)
Scanning resolution	W x H x D	1.9 mm x 1.9 mm x 5.7 mm (0.07 in x 0.07 in x 0.22 in)
Scan time		2 x 32 ms
Evaluation time		4 s
Throughput	depends on application	up to 300 persons/h
RF power density (peak)	1 m in front of panel	80 nW/cm <sup>2</sup>
RF power density (average)	1 m in front of panel	800 pW/cm <sup>2</sup>

## Touchscreen

Diagonal		381 mm (15 in)
Resolution		1024 x 768 pixel
Dimensions	W x H x D	351 mm x 307 mm x 202 mm (13.8 in x 12.1 in x 8.0 in)
Weight		4.5 kg (9.9 lb)

## Touchscreen for resolution station (option)

Diagonal		396 mm (15.6 in)
Resolution		1366 x 768 pixel
Dimensions	W x H x D	378 mm x 247 mm x 29 mm (14.9 in x 9.7 in x 1.1 in)
Weight		2 kg (4.4 lb)

## General data

Environmental conditions		
Temperature	operating temperature range	+5 °C to +40 °C (41 °F to 104 °F)
	storage temperature range	-10 °C to +60 °C (14 °F to 140 °F)
Humidity		+40 °C (104 °F) at 95 % rel. humidity, in line with IEC 60068-2-78
Protection class		IP20
Installation altitude		max. 2000 m (6562 ft) above sea level
Vibration		in line with IEC 60068-2-6
Shock		in line with IEC 60068-2-27
Transport		in line with IEC 60068-2-31 and IEC 60068-2-64
Verification interval		6 months

Power rating		
Rated voltage	without additional protective earthing	200 V to 230 V AC (± 10 %)
	with additional protective earthing <sup>1</sup>	200 V to 240 V AC (± 10 %)
Rated current	both panels and touchscreen, at 230 V	16 A
	both panels and touchscreen, at 240 V	15 A
	single panel, from 200 V to 240 V	10 A
Power consumption	average	2.4 kW
	standby	11 W
Rated frequency	without additional protective earthing	50 Hz (± 5 %)
	with additional protective earthing <sup>1</sup>	50 Hz to 60 Hz (± 5 %)

Product conformity		
Electromagnetic compatibility	EU: RED Directive 2014/53/EU (article 3 and the other relevant provisions)	applied standards: ETSI EN 301489-1, ETSI EN 301489-3 <sup>2</sup> , ETSI EN 305550-1, ETSI EN 305550-2
Electromagnetic emission	documented in Test Report 20982 PTB 14 of Physikalisch-Technische Bundesanstalt (PTB; Germany's national metrology institute) of 8 Aug 2014	applied standards: ICNIRP guidelines as published in Health Physics Journal 99 (6), 2010, pp 818 to 836
Electrical safety	EU: in line with Low Voltage Directive 2014/35/EU	applied standards: EN 61010-1, IEC 61010-1, UL 61010-1, CSA C22.2 61010-1
Hazardous substances	restriction of the use of hazardous substances in electrical and electronic equipment (RoHS) in line with 2011/65/EU	applied standard: EN 50581
International safety approvals	CSA – Canadian Standards Association	CSA <sub>UL</sub> mark

Dimensions		
Panels and floor plate		see drawings on page 4

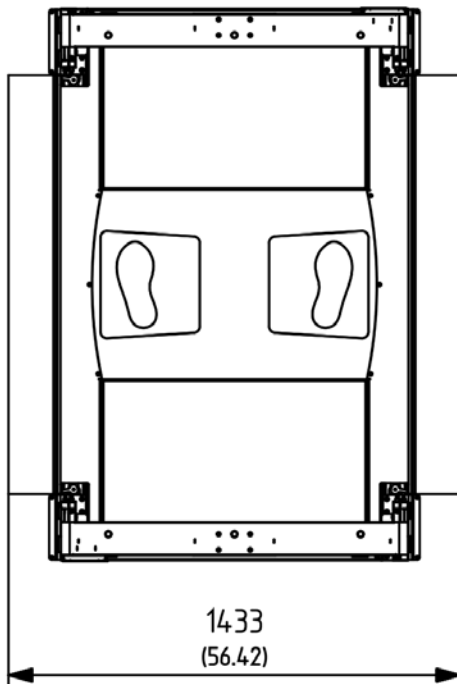
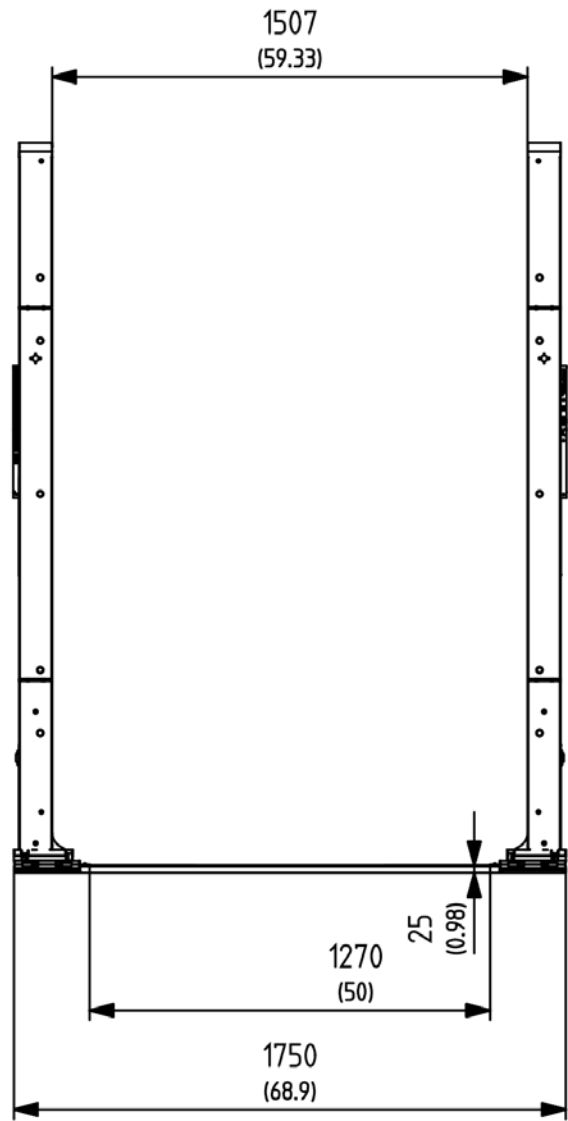
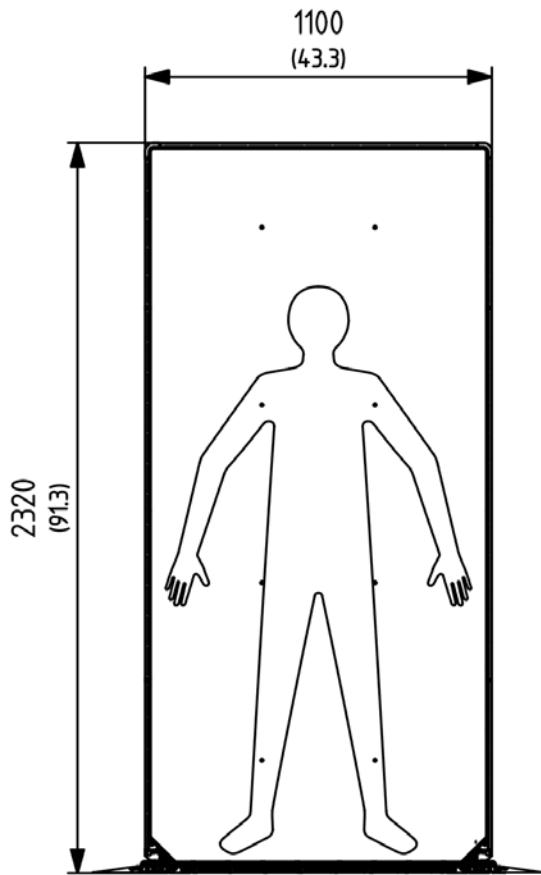
Weight		
Panel		170 kg (375 lb)
Floor plate		55 kg (121 lb)

Shipping dimensions		
Two panels and floor plate	W × H × D	2450 mm × 1400 mm × 800 mm (97 in × 55 in × 32 in)
Accessories	W × H × D	1600 mm × 350 mm × 600 mm (63 in × 14 in × 24 in)

Shipping weight		
Two panels and floor plate		435 kg (959 lb)
Accessories		80 kg (176 lb)

<sup>1</sup> For additional protective earthing (grounding) a green/yellow earth wire with a cross section of at least 4 mm<sup>2</sup> is used.

<sup>2</sup> If the voltage drops to 70 % for 500 ms, a reboot occurs.



Units: mm  
(inch)

Dimensions of the R&S®QPS201.

## Ordering information

<b>Designation</b>	<b>Type</b>	<b>Order No.</b>
Quick Personnel Security Scanner	R&S®QPS201	1333.5000K02
<b>Option</b>		
Resolution Station	R&S®MWI-Z101	1316.6154.03







## Service that adds value

- | Worldwide
- | Local and personalized
- | Customized and flexible
- | Uncompromising quality
- | Long-term dependability

## Rohde & Schwarz

The Rohde & Schwarz electronics group offers innovative solutions in the following business fields: test and measurement, broadcast and media, secure communications, cybersecurity, monitoring and network testing. Founded more than 80 years ago, the independent company which is headquartered in Munich, Germany, has an extensive sales and service network with locations in more than 70 countries.

## Sustainable product design

- | Environmental compatibility and eco-footprint
- | Energy efficiency and low emissions
- | Longevity and optimized total cost of ownership

Certified Quality Management

ISO 9001

Certified Environmental Management

ISO 14001

## Rohde & Schwarz GmbH & Co. KG

[www.rohde-schwarz.com](http://www.rohde-schwarz.com)

## Rohde & Schwarz training

[www.training.rohde-schwarz.com](http://www.training.rohde-schwarz.com)

## Regional contact

- | Europe, Africa, Middle East | +49 89 4129 12345  
[customersupport@rohde-schwarz.com](mailto:customersupport@rohde-schwarz.com)
- | North America | 1 888 TEST RSA (1 888 837 87 72)  
[customer.support@rsa.rohde-schwarz.com](mailto:customer.support@rsa.rohde-schwarz.com)
- | Latin America | +1 410 910 79 88  
[customersupport.la@rohde-schwarz.com](mailto:customersupport.la@rohde-schwarz.com)
- | Asia Pacific | +65 65 13 04 88  
[customersupport.asia@rohde-schwarz.com](mailto:customersupport.asia@rohde-schwarz.com)
- | China | +86 800 810 82 28 | +86 400 650 58 96  
[customersupport.china@rohde-schwarz.com](mailto:customersupport.china@rohde-schwarz.com)

R&S® is a registered trademark of Rohde & Schwarz GmbH & Co. KG

Trade names are trademarks of the owners

PD 3607.7792.22 | Version 01.00 | May 2018 (ch)

R&S® QPS201 Quick Personnel Security Scanner

Data without tolerance limits is not binding | Subject to change

© 2018 Rohde & Schwarz GmbH & Co. KG | 81671 Munich, Germany



3607779222