



AirPrime WP76xx

Product Technical Specification



SIERRA
WIRELESS®

4119652
Rev 7.2

Important Notice

Due to the nature of wireless communications, transmission and reception of data can never be guaranteed. Data may be delayed, corrupted (i.e., have errors) or be totally lost. Although significant delays or losses of data are rare when wireless devices such as the Sierra Wireless modem are used in a normal manner with a well-constructed network, the Sierra Wireless modem should not be used in situations where failure to transmit or receive data could result in damage of any kind to the user or any other party, including but not limited to personal injury, death, or loss of property. Sierra Wireless accepts no responsibility for damages of any kind resulting from delays or errors in data transmitted or received using the Sierra Wireless modem, or for failure of the Sierra Wireless modem to transmit or receive such data.

Safety and Hazards

Do not operate the Sierra Wireless modem in areas where blasting is in progress, where explosive atmospheres may be present, near medical equipment, near life support equipment, or any equipment which may be susceptible to any form of radio interference. In such areas, the Sierra Wireless modem **MUST BE IN AIRPLANE MODE OR POWERED OFF**. The Sierra Wireless modem can transmit signals that could interfere with this equipment.

Do not operate the Sierra Wireless modem in any aircraft, whether the aircraft is on the ground or in flight. In aircraft, the Sierra Wireless modem **MUST BE IN AIRPLANE MODE OR POWERED OFF**. When operating, the Sierra Wireless modem can transmit signals that could interfere with various onboard systems.

Note: Some airlines may permit the use of cellular phones while the aircraft is on the ground and the door is open. Sierra Wireless modems may be used at this time.

The driver or operator of any vehicle should not operate the Sierra Wireless modem while in control of a vehicle. Doing so will detract from the driver or operator's control and operation of that vehicle. In some states and provinces, operating such communications devices while in control of a vehicle is an offence.

Limitation of Liability

The information in this manual is subject to change without notice and does not represent a commitment on the part of Sierra Wireless. SIERRA WIRELESS AND ITS AFFILIATES SPECIFICALLY DISCLAIM LIABILITY FOR ANY AND ALL DIRECT, INDIRECT, SPECIAL, GENERAL, INCIDENTAL, CONSEQUENTIAL, PUNITIVE OR EXEMPLARY DAMAGES INCLUDING, BUT NOT LIMITED TO, LOSS OF PROFITS OR REVENUE OR ANTICIPATED PROFITS OR REVENUE ARISING OUT OF THE USE OR INABILITY TO USE ANY SIERRA WIRELESS PRODUCT, EVEN IF SIERRA WIRELESS AND/OR ITS AFFILIATES HAS BEEN ADVISED OF THE POSSIBILITY OF SUCH DAMAGES OR THEY ARE FORESEEABLE OR FOR CLAIMS BY ANY THIRD PARTY.

Notwithstanding the foregoing, in no event shall Sierra Wireless and/or its affiliates aggregate liability arising under or in connection with the Sierra Wireless product, regardless of the number of events, occurrences, or claims giving rise to liability, be in excess of the price paid by the purchaser for the Sierra Wireless product.

Patents

This product may contain technology developed by or for Sierra Wireless Inc. This product includes technology licensed from QUALCOMM®. This product is manufactured or sold by Sierra Wireless Inc. or its affiliates under one or more patents licensed from MMP Portfolio Licensing.

Copyright

©2018 Sierra Wireless. All rights reserved.

Trademarks

Sierra Wireless®, AirPrime®, AirLink®, AirVantage® and the Sierra Wireless logo are registered trademarks of Sierra Wireless, Inc.

Windows® and Windows Vista® are registered trademarks of Microsoft Corporation.

QUALCOMM® is a registered trademark of QUALCOMM Incorporated. Used under license.

Other trademarks are the property of their respective owners.

Contact Information

Sales information and technical support, including warranty and returns	Web: sierrawireless.com/company/contact-us/ Global toll-free number: 1-877-687-7795 6:00 am to 5:00 pm PST
Corporate and product information	Web: sierrawireless.com

Revision History

Revision number	Release date	Changes
1	October 2016	Creation (limited release)
2	February 2017	Updated module numbering Full release
3	March 2017	General update, added current consumption and Rx sensitivity values

Revision number	Release date	Changes
4	October 2017	<p>Updated Label image.</p> <p>Removed statements indicating firmware upgrades supported on UART interface.</p> <p>Noted B4 LTE-certified/3G-capable.</p> <p>Updated current consumption values.</p> <p>Updated Power State Transitions figure.</p> <p>Updated Digital I/O Characteristics 1.80V table.</p> <p>Added Digital I/O Characteristics table for GPIO8.</p> <p>Updated Embedded Memory Details table.</p> <p>Removed BAT_RTC content.</p> <p>Updated SDIO voltage level.</p> <p>Updated I2C Interface details.</p> <p>Updated SPI internal device frequency.</p> <p>Updated ADC Interface Characteristics table (ADC3 values).</p> <p>Added warning not to install external pull-ups on UART_RI, UART1_DCD, UART1_DSR.</p> <p>Added Power Supply capacitor requirement (2 x 47 uF).</p> <p>Changed GPIO pull entries to No Pull.</p> <p>Updated UMTS and LTE RF Tx Path Test instructions.</p> <p>Updated Channel numbers in UMTS and LTE RF Tx/Rx test instructions.</p> <p>Updated architecture diagrams (corrected signal names).</p> <p>Updated RESET_IN_N description (indicated internal resistor pull-up, no specified value).</p> <p>Removed USB_VBUS note indicating not connected internally.</p> <p>Identified UART1_DTR as wakeup interrupt.</p> <p>Updated POWER_ON_N assertion time.</p> <p>Added Power Supply Ratings note re: USB_VBUS power.</p> <p>Noted VGPIO power is OFF in ULPM.</p>
5	February 2018	<p>Clarified WP7603's UMTS network support includes DC-HSPA+, HSPA+, HSPA</p> <p>Updated mechanical diagrams showing LGA pad</p> <p>Updated Architecture section—Architecture Overview figures (updated GPIOs)</p> <p>Updated supply current values</p> <p>Updated UVLO Specifications values and removed associated notes</p> <p>Updated current consumption values for both modules</p> <p>Updated ULPM current consumption values</p> <p>Updated WCDMA and LTE Rx sensitivity values</p> <p>Updated Absolute Maximum Ratings (USB_D-/USB_D+)</p> <p>Updated GPIO8 Digital I/O Characteristics Min value for High-level output voltage</p> <p>Updated Embedded Memory description</p> <p>Emphasized POWER_ON_N suggestion for momentary switch to reduce ULPM leakage</p> <p>Updated SPI speed range</p> <p>Updated product marking example</p> <p>Added Certification Compliance section</p>
6.0	May 14, 2018	<p>Updated WCDMA current consumption values</p> <p>Added Mechanical Specifications topic</p> <p>Merged content from WP7608 PTS and WP7607/WP7609 PTS</p>

Revision number	Release date	Changes
6.1	May 30, 2018	Added: <ul style="list-style-type: none"> Power Saving Mode (PSM) on page 47 Extended Discontinuous Reception (eDRX) on page 50
		Updated: <ul style="list-style-type: none"> Figure 3-3 on page 46 RF on page 57 Power-up Sequence on page 80 General Purpose Input/Output (GPIO) on page 85 I2C Interface on page 89 Tx Activity Indicator (TX_ON) on page 103
6.2	June 07, 2018	Updated: <ul style="list-style-type: none"> I2C Interface on page 89 Power Saving Mode (PSM) on page 47 Table 3-36 on page 65 Table 4-7 on page 85 Table 10-1 on page 132
7.0	October 26, 2018	Added POWER_ON_N , RESET_IN_N and AT!POWERDOWN Use Cases on page 81
		Updated: <ul style="list-style-type: none"> Table 3-9 on page 52 Table 3-10 on page 53 Table 3-36 on page 65 Table 3-37 on page 67 Table 3-40 on page 70 Table 4-1 on page 79 Emergency Power Off on page 81 UART on page 82 General Purpose Input/Output (GPIO) on page 85 GPIO6 on page 87 Figure 4-6 on page 95 Figure 4-7 on page 95 Figure 10-1 on page 132
7.1	November 07, 2018	Updated GPIO6 on page 87
7.2	December 12, 2018	Added: <ul style="list-style-type: none"> Secure Boot / Secure Debug on page 76 eSIM / UIM2 Interface on page 85
		Updated: <ul style="list-style-type: none"> General Features on page 19 Power Supply Ratings on page 40 Table 3-39 on page 69 Table 4-7 on page 85
		Deleted 5.2 PCB Layout Recommendations

>> Contents

1: Introduction	19
1.1 General Features	19
1.2 Interfaces	22
1.3 Common Flexible Form Factor (CF3)	23
1.4 Physical Dimensions and Connection Interface	23
2: Functional Specifications	25
2.1 Architecture	25
2.2 Telecom Features	30
2.2.1 Network Technology Specifications	34
2.2.2 Modem Specifications	39
2.3 Multi-Core Processing Capabilities	39
3: Technical Specifications	40
3.1 Environmental	40
3.2 Power Supply Ratings	40
3.2.1 Under-Voltage Lockout (UVLO)	42
3.2.2 Power Consumption States	43
3.2.3 Power Saving Mode (PSM)	47
3.2.4 Active State to ULPS Transition	50
3.2.5 Extended Discontinuous Reception (eDRX)	50
3.2.6 Current Consumption	52
3.3 RF	57
3.3.1 GSM/GPRS/EDGE RF Interface	57
3.3.2 WCDMA RF Interface	58
3.3.3 LTE RF Interface	61
3.3.4 WWAN Antenna Interface	64
3.4 GNSS	67
3.4.1 GNSS Characteristics	67
3.4.2 GNSS Antenna Interface	68

3.5 Electrical Specifications	70
3.5.1 Absolute Maximum Ratings	70
3.5.2 Digital I/O Characteristics	71
3.5.3 Internal Device Frequencies	74
3.6 Processing	75
3.6.1 Application Core	75
3.6.2 Embedded Memory	75
3.6.3 Recovery Mechanism	76
3.6.4 Secure Boot / Secure Debug	76
3.7 Mechanical Drawing	77
3.8 Mechanical Specifications	78
4: Interfaces Specification	79
4.1 Overview	79
4.2 POWER_ON_N	79
4.2.1 Power-up Sequence	80
4.2.2 Software-Initiated Power Down	81
4.3 Emergency Power Off	81
4.4 POWER_ON_N, RESET_IN_N and AT!POWERDOWN Use Cases	81
4.5 Tx Power Control	82
4.6 USB	82
4.7 UART	82
4.8 UIM Interface	84
4.8.1 External UIM1 Interface	84
4.8.2 eSIM / UIM2 Interface	85
4.9 General Purpose Input/Output (GPIO)	85
4.10 GPIO6	87
4.10.1 General Purpose Input / Output	87
4.10.2 SIM Switching	87
4.10.3 Reset Out	87
4.11 Wakeup Interrupt (Sleep State)	87
4.12 Wakeup Events (ULPS)	88

4.13 Secure Digital IO (SDIO) Interface	88
4.14 I2C Interface	89
4.14.1 Application	90
4.15 VGPIO	90
4.16 Reset Signal (RESET_IN_N)	91
4.17 ADC	92
4.18 Digital Audio	92
4.18.1 PCM	93
4.18.2 I2S	95
4.19 SPI Bus	96
4.19.1 SPI Configuration	97
4.19.2 SPI Waveforms	97
4.19.3 Application	98
4.20 HSIC Bus	98
4.20.1 HSIC Waveforms	99
4.20.2 Application	99
4.21 Clock	99
4.22 TP1 (Boot Pin)	99
4.23 Temperature Monitoring	100
4.24 Test Pins	101
4.25 Antenna Control	102
4.26 Indication Interfaces	102
4.26.1 Tx Activity Indicator (TX_ON)	103
4.26.2 WWAN_LED_N	103
4.26.3 WAKE_ON_WWAN	104
4.26.4 Ring Indicator	105
4.26.5 SAFE_PWR_REMOVE	105
4.26.6 UIM1_DET	105
4.27 DR_SYNC	105
4.28 W_DISABLE_N—Wireless Disable	106

5: Routing Constraints and Recommendations	107
5.1 General Rules and Recommendations	107
5.2 Power Supply	107
5.3 Antenna	107
5.4 PCB Specifications for the Application Board	108
5.5 Recommended PCB Land Pattern	108
5.6 Routing Constraints	108
5.6.1 Power Supply	108
5.6.2 UIM Interface	109
5.6.3 RF Circuit	109
5.6.4 USB Interface	111
5.7 Thermal Considerations	111
5.8 EMC and ESD Recommendations	112
5.9 Mechanical Integration	113
5.10 Signal Reference Schematics	113
6: Software and Tools	115
6.1 Support Tools	115
6.2 SED (Smart Error Detection)	115
6.3 Firmware Upgrade	115
6.4 Operating System Upgrade	115
6.5 Product Marking	116
7: Debug and Assembly Considerations	117
7.1 Testing Assistance Provided by Sierra Wireless	117
7.2 Integration Requirements	117
7.3 IOT/Operator	117
7.4 Module Testing Recommendations	117
7.5 Serial Link Access	118
7.6 RF Output Accessibility	118

8: Reliability Specification	120
8.1 Reliability Compliance	120
8.2 Reliability Prediction Model	120
8.2.1 Life Stress Test	120
8.2.2 Environmental Resistance Stress Tests	121
8.2.3 Corrosive Resistance Stress Tests	121
8.2.4 Thermal Resistance Cycle Stress Tests	122
8.2.5 Mechanical Resistance Stress Tests	123
8.2.6 Handling Resistance Stress Tests	125
9: Approval	126
9.1 Disposing of the Product	126
9.2 Important Notice	126
9.3 Safety and Hazards	126
9.4 Compliance Acceptance and Certification	127
9.5 Certification Compliance	127
9.5.1 Important Compliance Information for North American Users	127
10: Pinout	130
10.1 Pin Configuration	131
10.2 Pin Description	132
11: Customization	139
12: Testing	140
12.1 Certification Testing	140
12.2 Production Testing	140
12.3 Functional Production Test	141
12.3.1 Suggested Production Tests	141
12.3.2 Production Test Procedure	141
12.4 UMTS (WCDMA/GSM) RF Transmission Path Test	143
12.5 LTE RF Transmission Path Test	146

12.6 UMTS (WCDMA/GSM) RF Receive Path Test	149
12.7 LTE RF Receive Path Test	152
12.8 GNSS RF Receive Path Test	154
13: References	156
13.1 Web Site Support	156
13.2 Reference Documents	156
14: Abbreviations	157

>> | List of Figures

Figure 1-1: AirPrime WP76XX Mechanical Overview	24
Figure 2-1: WP7601 Architecture Overview.	25
Figure 2-2: WP7603 Architecture Overview.	26
Figure 2-3: WP7607 Architecture Overview.	27
Figure 2-4: WP7608 Architecture Overview.	28
Figure 2-5: WP7609 Architecture Overview.	29
Figure 3-1: Power Supply Characteristics (capture enlarged)	42
Figure 3-2: Under-Voltage Lockout (UVLO) Diagram	42
Figure 3-3: Power State Transitions	46
Figure 3-4: PSM Example (Simplified).	47
Figure 3-5: eDRX Example (Simplified).	50
Figure 3-6: AirPrime WP7601/WP7603 Mechanical Drawing	77
Figure 3-7: AirPrime WP7607/WP7608/WP7609 Mechanical Drawing	78
Figure 4-1: Signal Timing (POWER_ON_N, and USB Enumeration)	80
Figure 4-2: Recommended UIM Holder Implementation	84
Figure 4-3: Example of I2C Bus Application	90
Figure 4-4: Illustration of Reset Timing When RESET_IN_N < Trdel	91
Figure 4-5: PCM_SYNC Timing Diagram (2048 kHz clock)	94
Figure 4-6: PCM Codec to Device Timing Diagram.	95
Figure 4-7: Device to PCM Codec Timing Diagram.	95
Figure 4-8: I2S Transmitter Timing	96
Figure 4-9: 4-Wire Configuration SPI Transfer	97
Figure 4-10: Example of 4-wire SPI Bus Application	98
Figure 4-11: Example of 2-wire HSIC Bus Application	99
Figure 4-12: Temperature Monitoring State Machine	100
Figure 4-13: TX_ON State During Transmission	103
Figure 4-14: LED Reference Circuit.	104
Figure 4-15: Recommended WAKE_ON_WWAN Connection	104
Figure 4-16: Recommended Wireless Disable Connection	106
Figure 5-1: Power Supply Routing Example	108

Figure 5-2: Module Location on Development Board	110
Figure 5-3: Development Board RF Trace Design	111
Figure 5-4: UIM Interface	113
Figure 5-5: USB Interface	114
Figure 5-6: USB OTG Interface.	114
Figure 6-1: Unit Product Marking—Laser-etched, Typical Representation	116
Figure 7-1: Level Shifter Implementation for UART1 Serial Link Access	118
Figure 10-1: Pin Configuration (Top View, Through Module)	131

>> | List of Tables

Table 1-1: Supported Networks and Voice Capability	19
Table 1-2: WP7601 Supported Bands/Connectivity	20
Table 1-3: WP7603 Supported Bands/Connectivity	20
Table 1-4: WP7607 Supported Bands/Connectivity	21
Table 1-5: WP7608 Supported Bands/Connectivity	21
Table 1-6: WP7609 Supported Bands/Connectivity	22
Table 1-7: AirPrime WP76XX Dimensions.	23
Table 1-8: LGA Pad Types	24
Table 2-1: AirPrime WP76XX Capabilities.	30
Table 2-2: WP7601 RF Bands/Connectivity	31
Table 2-3: WP7603 RF Bands/Connectivity	31
Table 2-4: WP7607 RF Bands/Connectivity	32
Table 2-5: WP7608 RF Bands/Connectivity	32
Table 2-6: WP7609 RF Bands/Connectivity	33
Table 2-7: Supported GSM Specifications.	34
Table 2-8: Supported WCDMA Specifications.	36
Table 2-9: Supported LTE Specifications	37
Table 2-10: Supported Modem Specifications.	39
Table 3-1: Environmental Specifications	40
Table 3-2: Power Supply Pins	41
Table 3-3: Operating Conditions	41
Table 3-4: UVLO Specifications.	42
Table 3-5: Supported Power States.	43
Table 3-6: ULPS Wakeup Sources	45
Table 3-7: ULPS-Related Application User Commands/Interfaces	48
Table 3-8: eDRX-Related Commands	51
Table 3-9: WP7601 Current Consumption Values.	52
Table 3-10: WP7603 Current Consumption Values.	53
Table 3-11: WP7607 and WP7609 Current Consumption Values.	54
Table 3-12: WP7608 Current Consumption Values.	55

Table 3-13: ULPM Current Consumption	56
Table 3-14: Standards Compliance.	57
Table 3-15: WP7607/WP7608/WP7609 Conducted Tx Max Output Power Tolerances— GSM/GPRS/EDGE	57
Table 3-16: WP7607/WP7609 Conducted Rx Sensitivity—GSM/GPRS/EDGE Bands,.	58
Table 3-17: WP7608 Conducted Rx Sensitivity—GSM/GPRS/EDGE Bands,	58
Table 3-18: WP7603 Conducted Tx Max Output Power Tolerances—WCDMA	58
Table 3-22: WP7603 Conducted Rx Sensitivity—WCDMA Bands,	59
Table 3-19: WP7607 Conducted Tx Max Output Power Tolerances—WCDMA	59
Table 3-20: WP7608 Conducted Tx Max Output Power Tolerances—WCDMA	59
Table 3-21: WP7609 Conducted Tx Max Output Power Tolerances—WCDMA	59
Table 3-23: WP7607 Conducted Rx Sensitivity—WCDMA Bands,,	60
Table 3-24: WP7608 Conducted Rx Sensitivity—WCDMA Bands,,	60
Table 3-25: WP7609 Conducted Rx Sensitivity—WCDMA Bands,,	60
Table 3-26: WP7601 Conducted Tx Max Output Power Tolerances—LTE	61
Table 3-27: WP7603 Conducted Tx Max Output Power Tolerances—LTE	61
Table 3-28: WP7607 Conducted Tx Max Output Power Tolerances—LTE	61
Table 3-29: WP7608 Conducted Tx Max Output Power Tolerances—LTE	61
Table 3-31: WP7601 Conducted Rx Sensitivity—LTE Bands,	62
Table 3-30: WP7609 Conducted Tx Max Output Power Tolerances—LTE	62
Table 3-32: WP7603 Conducted Rx Sensitivity—LTE Bands,	63
Table 3-33: WP7607 and WP7609 Conducted Rx Sensitivity—LTE Bands,	63
Table 3-34: WP7608 Conducted Rx Sensitivity—LTE Bands,,	64
Table 3-35: WP76XX WWAN Antenna Interface Pins	64
Table 3-36: Antenna Recommendations,	65
Table 3-37: GNSS Characteristics	67
Table 3-38: GNSS Antenna Interface Pads	68
Table 3-39: GNSS Standalone Antenna Recommendations	69
Table 3-40: Absolute Maximum Ratings	70
Table 3-41: Digital I/O Characteristics (VDD_PX=1.20 V (nominal))	71

Table 3-42: Digital I/O Characteristics (VDD_PX=1.80 V (nominal) signals)	72
Table 3-43: GPIO8 Digital I/O Characteristics (VDD_PX=1.80 V (nominal) signals)	72
Table 3-44: Digital I/O Characteristics (Dual-voltage—VDD_PX=1.80 V or 2.85 V (nominal))	73
Table 3-45: Internal Device Frequencies	74
Table 3-46: Embedded Memory Details	75
Table 3-47: Mechanical Specifications	78
Table 4-1: POWER_ON_N Electrical Characteristics,	79
Table 4-2: POWER_ON_N Timing Parameters	80
Table 4-3: POWER_ON_N, RESET_IN_N and AT!POWERDOWN Use Cases	81
Table 4-4: USB Pin Descriptions.	82
Table 4-5: UART Pins	83
Table 4-6: UIM Interface Pins	84
Table 4-7: GPIO Pin Description.	85
Table 4-8: ULPS Wakeup Signals/Sources	88
Table 4-9: SDIO Pin Descriptions	89
Table 4-10: I2C Interface Pins.	89
Table 4-11: VGPIO Reference Pin	90
Table 4-12: VGPIO Electrical Characteristics	90
Table 4-13: RESET_IN_N Pin.	91
Table 4-14: Reset Timing	91
Table 4-15: ADC Interface Pins.	92
Table 4-16: ADC Interface Characteristics	92
Table 4-17: PCM/I2S Interface Signals	93
Table 4-18: PCM Interface Configurations	93
Table 4-19: PCM Mode Timing	94
Table 4-20: I2S Interface Timing.	96
Table 4-21: SPI Pin Descriptions	97
Table 4-22: SPI Configuration.	97
Table 4-23: SPI Master Timing Characteristics (@38 MHz).	98

Table 4-24: HSIC Pin Descriptions	98
Table 4-25: Clock Interface Pin Descriptions	99
Table 4-26: TP1 Pin Description	100
Table 4-27: Temperature Monitoring States	101
Table 4-28: Test Pin Descriptions	101
Table 4-29: Antenna Control Signals	102
Table 4-30: Tx Activity Indicator States	103
Table 4-31: Tx Activity Indicator Characteristics	103
Table 4-32: LED Interface Pin	103
Table 4-33: UART1_RI Pin	105
Table 4-34: DR_SYNC Pin Details	105
Table 5-1: ESD Specifications	112
Table 8-1: Standards Conformity	120
Table 8-2: Life Stress Test	120
Table 8-3: Environmental Resistance Stress Tests	121
Table 8-4: Corrosive Resistance Stress Tests	121
Table 8-5: Thermal Resistance Cycle Stress Tests	122
Table 8-6: Mechanical Resistance Stress Tests	123
Table 8-7: Handling Resistance Stress Tests	125
Table 9-1: WP76XX Antenna Gain Specifications	127
Table 9-2: WP76XX Collocated Radio Transmitter Specifications	128
Table 10-1: Pin Definitions	132
Table 10-2: RF Pin Information	138
Table 10-3: Supply Pin Information	138
Table 10-4: Ground & Reserved Pin Information	138
Table 11-1: Customizable Features	139
Table 12-1: Test Settings—AirPrime WP7603 UMTS Transmission Path	143
Table 12-2: Test Settings—AirPrime WP7607/WP7608 UMTS Transmission Path	144
Table 12-3: Test Settings—AirPrime WP7609 UMTS Transmission Path	144
Table 12-4: Test Settings—WP7607/WP7608 / WP7609 2G Transmission Path	144

Table 12-5: Test Settings—WP7601 LTE Transmission Path	146
Table 12-6: Test Settings—WP7603 LTE Transmission Path	146
Table 12-7: Test Settings—WP7607 LTE Transmission Path	146
Table 12-8: Test Settings—WP7608 LTE Transmission Path	147
Table 12-9: Test Settings—WP7609 LTE Transmission Path	147
Table 12-10: Test Settings—WP7603 UMTS Receive Path.	149
Table 12-11: Test Settings—WP7607/WP7608 UMTS Receive Path.	149
Table 12-12: Test Settings—WP7609 UMTS Receive Path.	150
Table 12-13: Test Settings—WP7607/WP7608 / WP7609 2G Receive Path	150
Table 12-14: Test Settings—WP7601 LTE Receive Path	152
Table 12-15: Test Settings—WP7603 LTE Receive Path	152
Table 12-16: Test Settings—WP7607 LTE Receive Path	152
Table 12-17: Test Settings—WP7608 LTE Receive Path	152
Table 12-18: Test Settings—WP7609 LTE Receive Path	153
Table 14-1: Acronyms and Definitions	157

>> 1: Introduction

This document defines the high-level product features and illustrates the interfaces for AirPrime WP76XX Smart Embedded Modules (WP7601, WP7601-1, WP7603, WP7603-1, WP7607, WP7607-1, WP7608, WP7608-1, WP7609). It covers the hardware aspects of the product series, including electrical and mechanical.

Note: Throughout this document, references to WP7601, WP7603, WP7607 and WP7608 are to be read as WP7601/WP7601-1, and WP7603/WP7603-1, WP7607/WP7607-1 and WP7608/WP7608-1 unless module variants are called out separately.

1.1 General Features

The AirPrime WP76XX is an industrial-grade LGA 239-pad embedded module. Its wireless modem provides voice and data connectivity on the networks listed in [Table 1-1](#).

Table 1-1: Supported Networks and Voice Capability

Module	Networks	Network Voice Support	LTE Category
WP7601	LTE	No	Cat4
WP7601-1			Cat1
WP7603	LTE UMTS (DC-HSPA+, HSPA+, HSPA, WCDMA)	Circuit switch voice	Cat4
WP7603-1			Cat1
WP7607	LTE UMTS (DC-HSPA+, HSPA+, HSPA, WCDMA) GSM/GPRS/EDGE	Circuit switch voice + VoLTE	Cat4
WP7607-1			Cat1
WP7608	LTE UMTS (DC-HSPA+, HSPA+, HSPA, WCDMA) GSM/GPRS/EDGE	Circuit switch voice + VoLTE	Cat4
WP7608-1			Cat1
WP7609	LTE UMTS (DC-HSPA+, HSPA+, HSPA, WCDMA) GSM/GPRS/EDGE	Circuit switch voice + VoLTE	Cat4

To simplify cellular connectivity, the AirPrime WP76xx has been designed to support Ready-To-Connect, and an embedded SIM (eSIM) has been natively designed in the AirPrime WP76xx for this purpose. To learn more about Ready-To-Connect capabilities and to know which variant already supports this feature, please get in touch with your Sierra Wireless sales representative.

GNSS functionality is available on all module variants as a SKU-dependent feature.

In addition to modem features, the AirPrime WP76XX embeds several cores for maximum flexibility and security for embedded software execution, including:

- A Telecom Core that natively manages 2G (WP7607, WP7608, WP7609), 3G (WP7603, WP7607, WP7608, WP7609) and 4G modem features
- An Application Core dedicated to customer applications, natively provided with Legato Application framework.

The following tables detail supported RF bands/connectivity.

Table 1-2: WP7601 Supported Bands /Connectivity

Technology	RF Band	Transmit Band (Tx) (MHz)	Receive Band (Rx) (MHz)	Notes
LTE	B4 ^a	1710–1755	2110–2155	MIMO and diversity
	B13	777–787	746–756	
GNSS ^b	GPS	-	1575.42 ± 1.023	
	GLONASS	-	1597.52–1605.92	
	Galileo	-	1575.42 ± 2.046	
	BeiDou	-	1561.098 ± 2.046	

a. B4 is LTE-certified and 3G-capable, requires validation/certification for 3G use.

b. GNSS support is SKU-dependent.

Table 1-3: WP7603 Supported Bands /Connectivity

Technology	RF Band	Transmit Band (Tx) (MHz)	Receive Band (Rx) (MHz)	Notes
LTE	B2	1850–1910	1930–1990	MIMO and diversity
	B4	1710–1755	2110–2155	
	B5	824–849	869–894	
	B12	699–716	729–746	
UMTS	B2	1850–1910	1930–1990	Diversity
	B4	1710–1755	2110–2155	
	B5	824–849	869–894	
GNSS ^a	GPS	-	1575.42 ± 1.023	
	GLONASS	-	1597.52–1605.92	
	Galileo	-	1575.42 ± 2.046	
	BeiDou	-	1561.098 ± 2.046	

a. GNSS support is SKU-dependent.

Table 1-4: WP7607 Supported Bands/Connectivity

Technology	RF Band	Transmit Band (Tx) (MHz)	Receive Band (Rx) (MHz)	Notes
LTE	B1	1920–1980	2110–2170	MIMO and diversity
	B3	1710–1785	1805–1880	
	B7	2500–2570	2620–2690	
	B8	880–915	925–960	
	B20	832–862	791–821	
	B28	703–748	758–803	
UMTS	B1	1920–1980	2110–2170	Diversity
	B8	880–915	925–960	
GSM/GPRS/ EDGE	E-GSM 900	880–915	925–960	
	DCS 1800	1710–1785	1805–1880	
GNSS ^a	GPS	-	1575.42 ± 1.023	
	GLONASS	-	1597.52–1605.92	
	Galileo	-	1575.42 ± 2.046	
	BeiDou	-	1561.098 ± 2.046	

a. GNSS support is SKU-dependent.

Table 1-5: WP7608 Supported Bands/Connectivity

Technology	RF Band	Transmit Band (Tx) (MHz)	Receive Band (Rx) (MHz)	Notes
LTE	B1	1920–1980	2110–2170	MIMO and diversity
	B3	1710–1785	1805–1880	
	B5	824–849	869–894	
	B8	880–915	925–960	
	B40	2300–2400	2300–2400	
	B41	2535–2655	2535–2655	
UMTS	B1	1920–1980	2110–2170	Diversity
	B8	880–915	925–960	
GSM/GPRS/ EDGE	E-GSM 900	880–915	925–960	
	DCS 1800	1710.2–1784.8	1805.2–1879.8	
GNSS ^a	GPS	-	1575.42 ± 1.023	
	GLONASS	-	1597.52–1605.92	
	Galileo	-	1575.42 ± 2.046	
	BeiDou	-	1561.098 ± 2.046	

a. GNSS support is SKU-dependent.

Table 1-6: WP7609 Supported Bands/Connectivity

Technology	RF Band	Transmit Band (Tx) (MHz)	Receive Band (Rx) (MHz)	Notes
LTE	B1	1920–1980	2110–2170	MIMO and diversity
	B3	1710–1785	1805–1880	
	B5	824–849	869–894	
	B7	2500–2570	2620–2690	
	B8	880–915	925–960	
	B28	703–748	758–803	
UMTS	B1	1920–1980	2110–2170	Diversity
	B5	824–849	869–894	
	B8	880–915	925–960	
GSM/GPRS/ EDGE	E-GSM 900	880–915	925–960	
	DCS 1800	1710–1785	1805–1880	
GNSS ^a	GPS	-	1575.42 ± 1.023	
	GLONASS	-	1597.52–1605.92	
	Galileo	-	1575.42 ± 2.046	
	BeiDou	-	1561.098 ± 2.046	

a. GNSS support is SKU-dependent.

1.2 Interfaces

The AirPrime WP76XX provides the following interfaces and peripheral connectivity:

- Digital section running under 1.8V
- UIM interface—See [UIM Interface on page 84](#).
 - eSIM—See [eSIM / UIM2 Interface on page 85](#).
- VBAT_RF/VBAT_BB power supply—See [Power Supply Ratings on page 40](#).
- RF—See [RF on page 57](#).
- GNSS¹ (RF_GNSS)—See [GNSS on page 67](#).
- ON/OFF control:
 - POWER_ON_N—See [POWER_ON_N on page 79](#).
 - RESET_IN_N—See [Reset Signal \(RESET_IN_N\) on page 91](#).
- USB 2.0—See [USB on page 82](#).
- UART serial links—See [UART on page 82](#).
- GPIOs—See [General Purpose Input/Output \(GPIO\) on page 85](#).
- SDIO—See [Secure Digital IO \(SDIO\) Interface on page 88](#).
- I²C—See [I2C Interface on page 89](#).
- 1.8V voltage reference—See [VGPIO on page 90](#).

1. GNSS support is SKU-dependent

- ADCs—See [ADC on page 92](#).
- Digital audio (PCM/I²S)—See [Digital Audio on page 92](#).
- SPI bus—See [SPI Bus on page 96](#).
- HSIC bus—See [HSIC Bus on page 98](#).
- Antenna control—See [Antenna Control on page 102](#).
- System clock outputs—See [Clock on page 99](#).
- Test pins—See [Test Pins on page 101](#).
- Tx Activity Indicator (TX_ON)—See [Tx Activity Indicator \(TX_ON\) on page 103](#).

1.3 Common Flexible Form Factor (CF3)

The AirPrime WP76XX belongs to the Common Flexible Form Factor (CF3) family of WWAN modules. These modules share the same mechanical dimensions (same width and length with varying thicknesses) and footprint. The CF3 form factor provides a unique solution to a series of problems faced commonly in the WWAN module space as it:

- Accommodates multiple radio technologies (from GSM to LTE advanced) and band groupings
- Supports bit-pipe (Essential Module Series) and value-add (Smart Module Series) solutions
- Offers electrical and functional compatibility

1.4 Physical Dimensions and Connection Interface

The AirPrime WP76XX module is a compact, robust, fully shielded and labeled (laser-etched) module with the dimensions noted in [Table 1-7](#).

Table 1-7: AirPrime WP76XX Dimensions^a

Parameter	Nominal	Tolerance	Units
Length	23.00	±0.10	mm
Width	22.00	±0.10	mm
Thickness	2.50	±0.20	mm
Weight	2.6	±1.0	g

a. Dimensions are accurate as of the release date of this document.

The AirPrime WP76XX module is an LGA form factor device. All electrical and mechanical connections are made through the 239 Land Grid Array (LGA) pads on the bottom side of the PCB. (See [Figure 10-1 on page 131](#) for details.)

Note: The following figure shows top/bottom views of the unlabeled module. For a product marking example, see [Figure 6-1 on page 116](#).

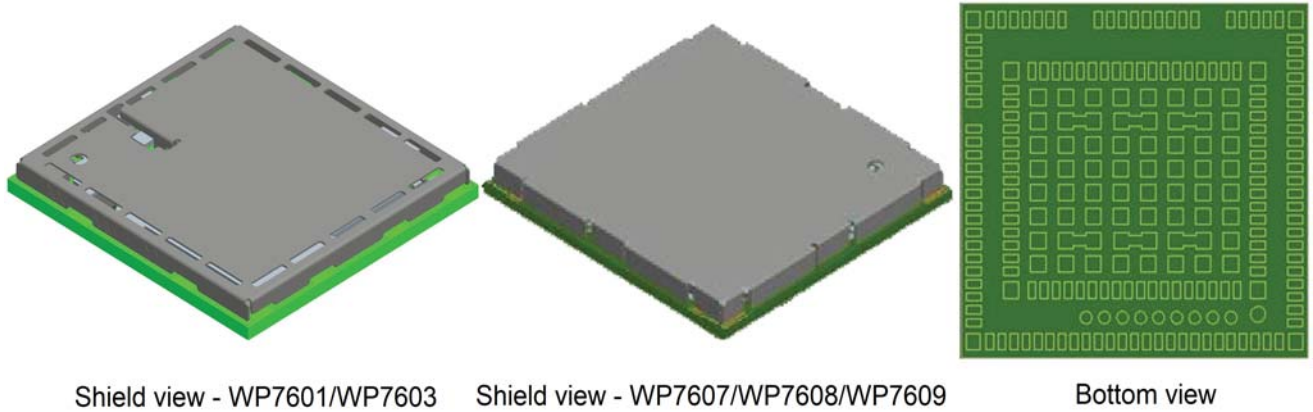


Figure 1-1: AirPrime WP76XX Mechanical Overview

The 239 pads have the following distribution:

Table 1-8: LGA Pad Types

Pad Type/Quantity		Dimensions	Pitch
Signal Pads	66 inner pads	1.0x0.5 mm	0.8 mm
	91 outer pads		
Test Points	1 polarity mark (Ground)	1.0 mm (diameter)	-
	9 test points	0.8 mm (diameter)	1.20 mm
Ground Pads	64 inner pads	1.0x1.0 mm	1.83 mm/1.48 mm
	4 inner corner pads	1.0x1.0 mm	-
	4 outer corner pads	1.0x0.9 mm	-

>> 2: Functional Specifications

2.1 Architecture

The following figures present overviews of the AirPrime WP76XX modules' internal architecture and external interfaces.

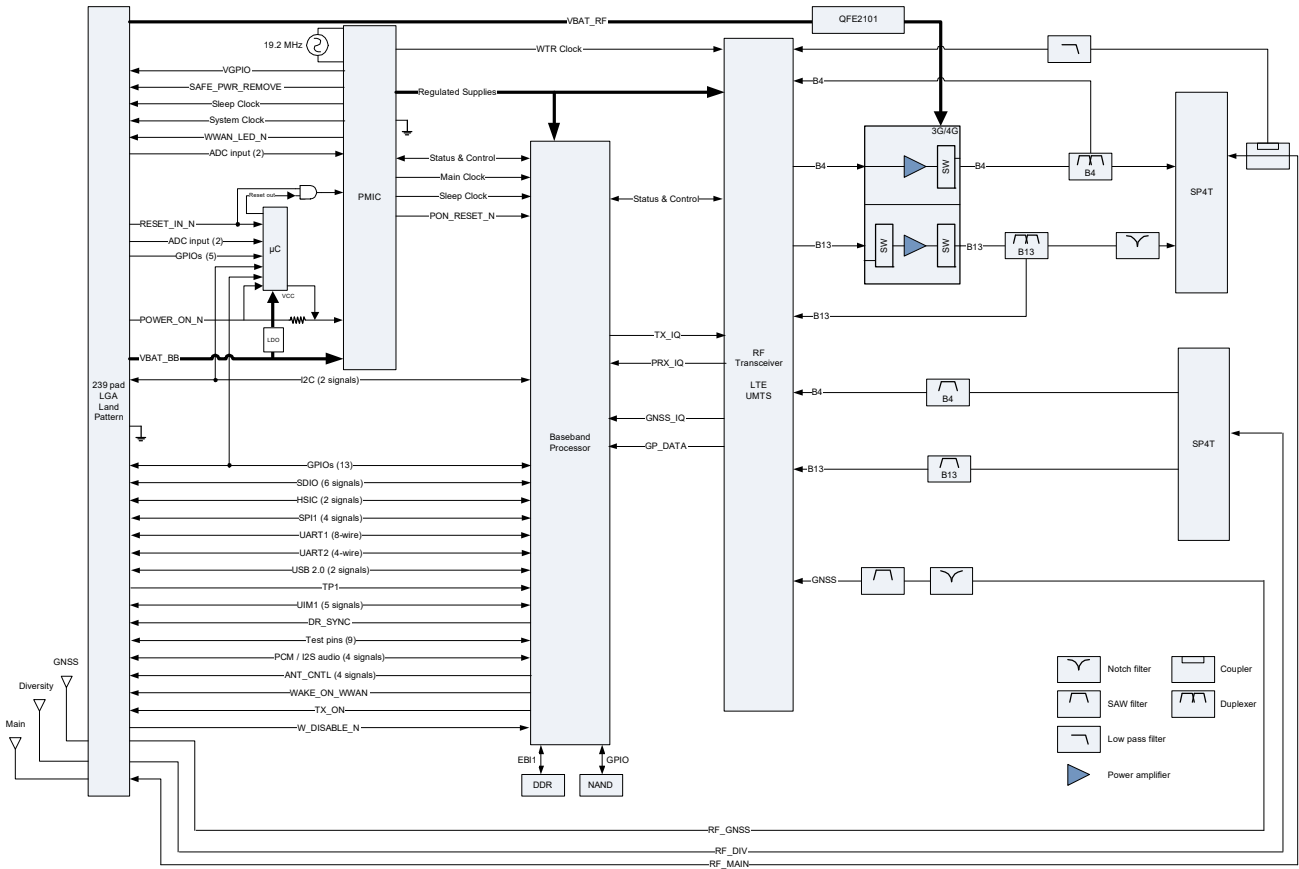


Figure 2-1: WP7601 Architecture Overview

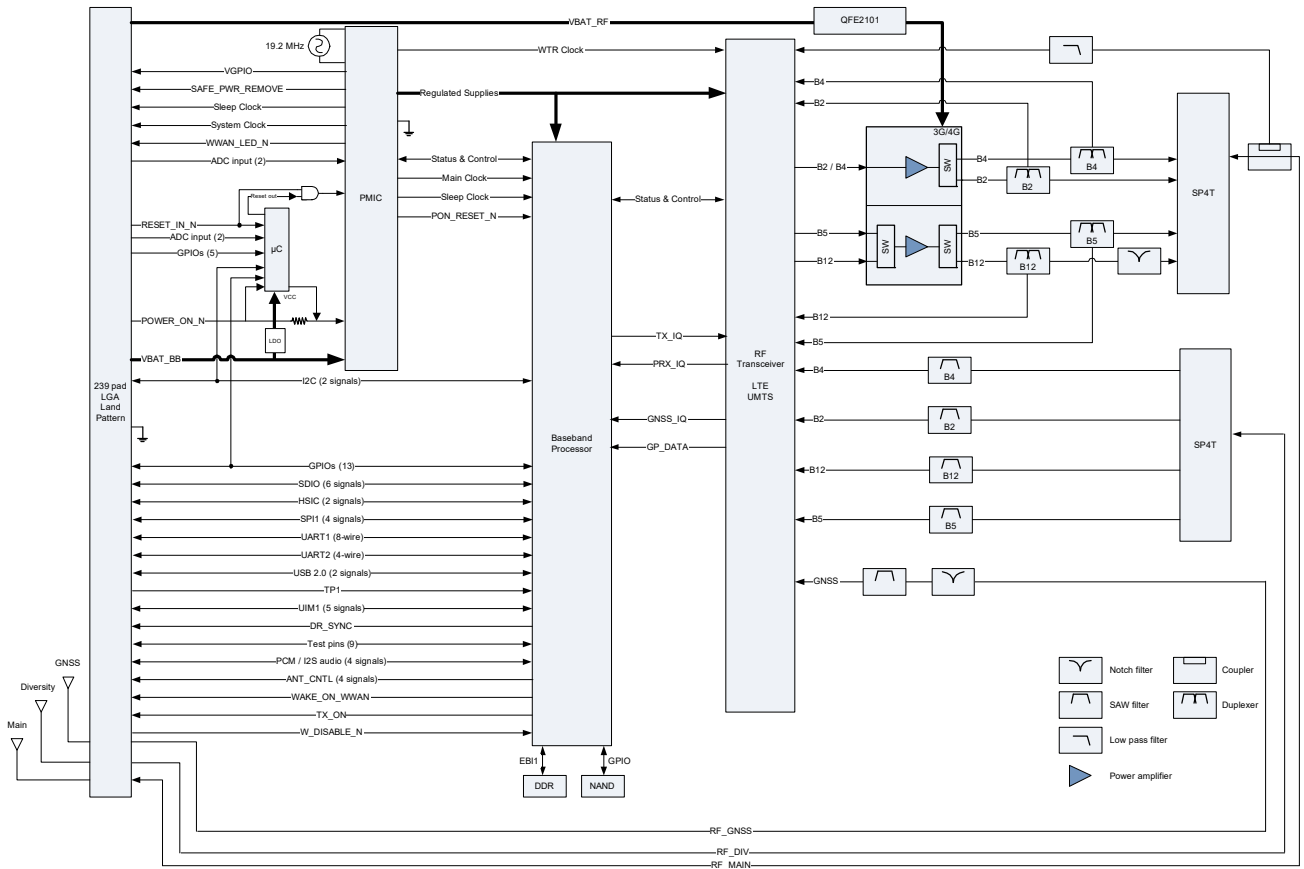


Figure 2-2: WP7603 Architecture Overview

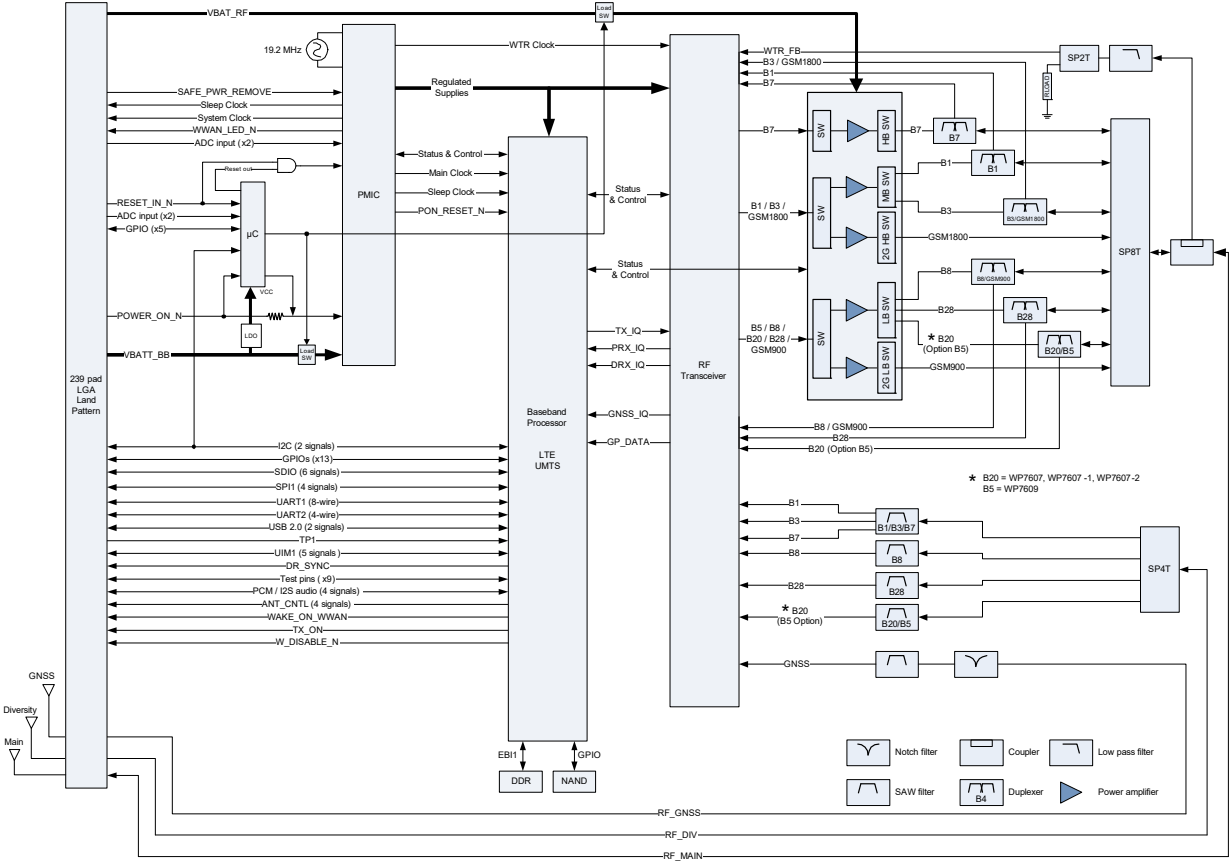


Figure 2-3: WP7607 Architecture Overview

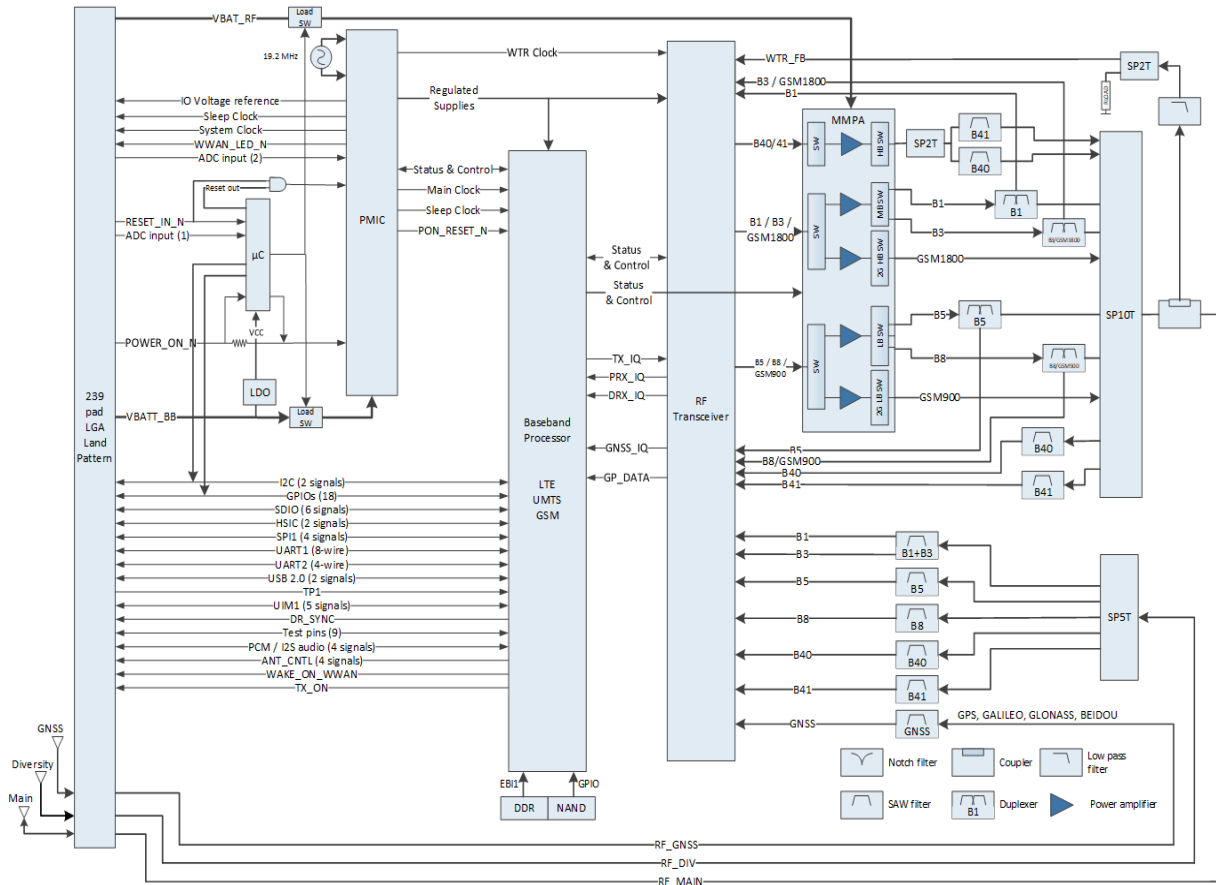


Figure 2-4: WP7608 Architecture Overview

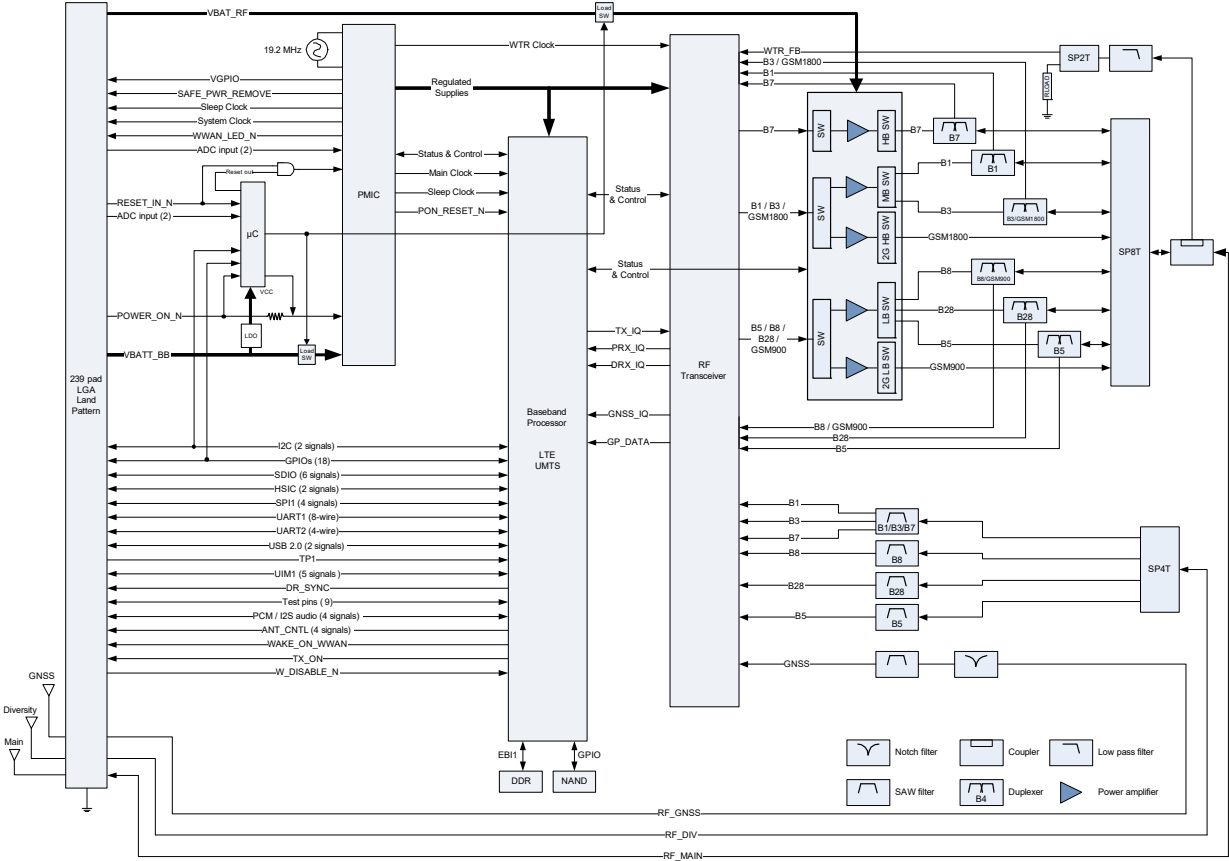


Figure 2-5: WP7609 Architecture Overview

2.2 Telecom Features

Table 2-1 summarizes the AirPrime WP76XX module's capabilities offered through the Telecom core.

Table 2-1: AirPrime WP76XX Capabilities

Feature	Description
Electrical	3.4–4.3V supply voltage (VBAT_BB, VBAT_RF): <ul style="list-style-type: none"> • Single supply (recommended), VBAT_BB tied to VBAT_RF <i>or</i> • Dual supplies, single supply each for VBAT_BB and VBAT_RF
Voice (Digital Audio)	<ul style="list-style-type: none"> • PCM/I²S digital audio interface • Supports Enhanced Full Rate (EFR), Full Rate (FR), Half Rate (HR), and both Narrow-Band and Wide-band Adaptive Multirate (AMR-NB and AMR-WB) vocoders • MO and MT calling • Echo cancellation and noise reduction • Emergency calls (112, 110, 911, etc.) • Incoming call notification • DTMF generation • Internal codec driver for WM8944
SMS	<ul style="list-style-type: none"> • SMS MO and MT • CS and PS support • SMS saving to UIM card or ME storage • SMS reading from UIM card or ME storage • SMS sorting • SMS concatenation • SMS Status Report • SMS replacement support • SMS storing rules (support of AT+CNMI, AT+CNMA)
Supplementary services	<ul style="list-style-type: none"> • Call Barring • Call Forwarding • Call Hold • Caller ID • Call Waiting • Multi-party service • USSD • Automatic answer

Table 2-2: WP7601 RF Bands/Connectivity

Technology	RF band	Transmit band (Tx) (MHz)	Receive band (Rx) (MHz)	Maximum output power
LTE	B4	1710–1755	2110–2155	23 dBm \pm 1 dB; Class 3bis
	B13	777–787	746–756	23 dBm \pm 1 dB; Class 3bis
GNSS ^a	GPS	-	1575.42 \pm 1.023	-
	GLONASS	-	1597.52–1605.92	-
	Galileo	-	1575.42 \pm 2.046	-
	BeiDou	-	1561.098 \pm 2.046	-

a. GNSS support is SKU-dependent.

Table 2-3: WP7603 RF Bands/Connectivity

Technology	RF band	Transmit band (Tx) (MHz)	Receive band (Rx) (MHz)	Maximum output power
LTE	B2	1850–1910	1930–1990	23 dBm \pm 1 dB; Class 3bis
	B4	1710–1755	2110–2155	23 dBm \pm 1 dB; Class 3bis
	B5	824–849	869–894	23 dBm \pm 1 dB; Class 3bis
	B12	699–716	729–746	23 dBm \pm 1 dB; Class 3bis
UMTS	B2	1850–1910	1930–1990	23 dBm \pm 2 dB; Class 3bis
	B4	1710–1755	2110–2155	23 dBm \pm 1 dB; Class 3bis
	B5	824–849	869–894	23 dBm \pm 1 dB; Class 3bis
GNSS ^a	GPS	-	1575.42 \pm 1.023	-
	GLONASS	-	1597.52–1605.92	-
	Galileo	-	1575.42 \pm 2.046	-
	BeiDou	-	1561.098 \pm 2.046	-

a. GNSS support is SKU-dependent.

Table 2-4: WP7607 RF Bands/Connectivity

Technology	RF band	Transmit band (Tx) (MHz)	Receive band (Rx) (MHz)	Maximum output power
LTE	B1	1920–1980	2110–2170	23 dBm \pm 1 dB; Class 3bis
	B3	1710–1785	1805–1880	23 dBm \pm 1 dB; Class 3bis
	B7	2500–2570	2620–2690	23 dBm \pm 1 dB; Class 3bis
	B8	880–915	925–960	23 dBm \pm 1 dB; Class 3bis
	B20	832–862	791–821	23 dBm \pm 1 dB; Class 3bis
	B28	703–748	758–803	23 dBm \pm 1 dB; Class 3bis
UMTS	B1	1920–1980	2110–2170	23 dBm \pm 1 dB; Class 3bis
	B8	880–915	925–960	23 dBm \pm 1 dB; Class 3bis
GSM/GPRS/EDGE	E-GSM 900	880–915	925–960	33 dBm \pm 1 dB; GMSK mode Power Class 4
				27 dBm \pm 1 dB; 8PSK mode Power Class E2
	DCS 1800	1710–1785	1805–1880	30 dBm \pm 1 dB; GMSK mode Power Class 1
				26 dBm \pm 1 dB; 8PSK mode Power Class E2
GNSS ^a	GPS	-	1575.42 \pm 1.023	-
	GLONASS	-	1597.52–1605.92	-
	Galileo	-	1575.42 \pm 2.046	-
	BeiDou	-	1561.098 \pm 2.046	-

a. GNSS support is SKU-dependent.

Table 2-5: WP7608 RF Bands/Connectivity

Technology	RF band	Transmit band (Tx) (MHz)	Receive band (Rx) (MHz)	Maximum output power
LTE	B1	1920–1980	2110–2170	23 dBm \pm 1 dB; Class 3bis
	B3	1710–1785	1805–1880	23 dBm \pm 1 dB; Class 3bis
	B5	824–849	869–894	23 dBm \pm 1 dB; Class 3bis
	B8	880–915	925–960	23 dBm \pm 1 dB; Class 3bis
	B40	2300–2400	2300–2400	23 dBm \pm 1 dB; Class 3bis
	B41	2535–2655	2535–2655	23 dBm \pm 1 dB; Class 3bis
UMTS	B1	1920–1980	2110–2170	24 dBm \pm 1 dB; Class 3
	B8	880–915	925–960	24 dBm \pm 1 dB; Class 3

Table 2-5: WP7608 RF Bands/Connectivity (Continued)

Technology	RF band	Transmit band (Tx) (MHz)	Receive band (Rx) (MHz)	Maximum output power
GSM/GPRS/EDGE	E-GSM 900	880–915	925–960	33 dBm ± 1 dB; GMSK mode Power Class 4
				27 dBm ± 1 dB; 8PSK mode Power Class E2
	DCS 1800	1710–1785	1805–1880	30 dBm ± 1 dB; GMSK mode Power Class 1
				26 dBm ± 1 dB; 8PSK mode Power Class E2
GNSS ^a	GPS	-	1575.42 ± 1.023	-
	GLONASS	-	1597.52–1605.92	-
	Galileo	-	1575.42 ± 2.046	-
	BeiDou	-	1561.098 ± 2.046	-

a. GNSS support is SKU-dependent.

Table 2-6: WP7609 RF Bands/Connectivity

Technology	RF band	Transmit band (Tx) (MHz)	Receive band (Rx) (MHz)	Maximum output power
LTE	B1	1920–1980	2110–2170	23 dBm ± 1 dB; Class 3bis
	B3	1710–1785	1805–1880	23 dBm ± 1 dB; Class 3bis
	B5	824–849	869–894	23 dBm ± 1 dB; Class 3bis
	B7	2500–2570	2620–2690	23 dBm ± 1 dB; Class 3bis
	B8	880–915	925–960	23 dBm ± 1 dB; Class 3bis
	B28	703–748	758–803	23 dBm ± 1 dB; Class 3bis
UMTS	B1	1920–1980	2110–2170	23 dBm ± 1 dB; Class 3bis
	B5	824–849	869–894	23 dBm ± 1 dB; Class 3bis
	B8	880–915	925–960	23 dBm ± 1 dB; Class 3bis
GSM/GPRS/EDGE	E-GSM 900	880–915	925–960	33 dBm ± 1 dB; GMSK mode Power Class 4
				27 dBm ± 1 dB; 8PSK mode Power Class E2
	DCS 1800	1710–1785	1805–1880	30 dBm ± 1 dB; GMSK mode Power Class 1
				26 dBm ± 1 dB; 8PSK mode Power Class E2

Table 2-6: WP7609 RF Bands/Connectivity (Continued)

Technology	RF band	Transmit band (Tx) (MHz)	Receive band (Rx) (MHz)	Maximum output power
GNSS ^a	GPS	-	1575.42 ± 1.023	-
	GLONASS	-	1597.52–1605.92	-
	Galileo	-	1575.42 ± 2.046	-
	BeiDou	-	1561.098 ± 2.046	-

a. GNSS support is SKU-dependent.

2.2.1 Network Technology Specifications

2.2.1.1 GSM/GPRS/EDGE Specifications

The following table describes GSM/GPRS/EDGE specifications for WP7607/WP7608/WP7609 modules.

Table 2-7: Supported GSM Specifications^a

Standard	Feature Description
GPRS	Packet-switched data: <ul style="list-style-type: none"> • DTM (simple class A) operation • GPRS Multislot class 10 (no backoff)—Four Rx slots (maximum), two Tx slots (maximum), five active slots total • Coding schemes—CS1–CS4 • GEA1, GEA2, and GEA3 ciphering • WCDMA/GERAN system selection

Table 2-7: Supported GSM Specifications^a (Continued)

Standard	Feature Description
EDGE	<ul style="list-style-type: none"> • E2 power class for 8 PSK • DTM (simple class A), multislot class 12 • EGPRS—Multislot class 12 (with backoff)—Four Rx slots (maximum), four Tx slots (maximum), five active slots total • Coding schemes—MCS1–MCS9 • BEP reporting • SRB loopback and test modes A and B • 8-bit and 11-bit RACH • PBCCH support • One-phase/two-phase access procedures • Link adaptation and IR • NACC, extended UL TBF • PFC/PFI (Packet Flow Context/Packet Flow Identifier) support - allows identity tagging of RLC blocks to identify separate QoS streams at the radio link layer • GPRS/EDGE MSC12-EDA - permits allocation of more than two uplink timeslots for GPRS/EDGE • Enh DL RLC/MAC Segmentation - permits reception of MAC control messages that exceed one radio block capacity in length • Enhanced Ext UL TBF - dummy block transmission is punctured for current saving purposes • 2G PS handover - packet-switched equivalent of CS handover to ensure faster cell change and improved throughput • WCDMA/GERAN • Band Scan: Run-time Configurable RRC Band Scan Order • Power and Network Optimizations: Frame Early Termination for Power Optimization • Protocols: MRAB-Pack-1 Enhancements - reduces multi-RAB call drops • GPRS/EDGE - Class 33 (296 kbps downlink, 236.8 kbps uplink) • CSD (Circuit-switched data bearers) • Release 4 GERAN Feature Package 1 • SAIC / DARP Phase 1 • Latency reduction • Repeated FACCH, Repeated SACCH • A-GPS support • GPRS ROHC • Enhanced Operator Name String (EONS) • Enhanced Network Selection (ENS)

a. WP7607/WP7608/WP7609 only

2.2.1.2 WCDMA Specifications

The following table describes WCDMA specifications for AirPrime WP7603, AirPrime WP7607, AirPrime WP7608 and AirPrime WP7609 modules.

Table 2-8: Supported WCDMA Specifications^a

Standard	Feature Description
R99	<ul style="list-style-type: none"> • All modes and data rates for WCDMA FDD, with the following restrictions: <ul style="list-style-type: none"> • The downlink supports the following specifications: <ul style="list-style-type: none"> • Up to four physical channels, including the broadcast channel (BCH), if present • Up to three dedicated physical channels (DPCHs) • Spreading factor (SF) range support from 4 to 256 • The uplink supports the following specifications: <ul style="list-style-type: none"> • One physical channel, eight TrCH, and 16 TrBks starting at any frame boundary • A maximum data rate of 384 kbps • Full SF range support from 4 to 256 • PS data rates of 384 kbps DL and 384 kbps UL
R8 HSDPA	<ul style="list-style-type: none"> • PS data speeds up to 42 Mbps (UE category 24) on the downlink • HS-DSCH (HS-SCCH, HS-PDSCH, and HS-DPCCH) • Maximum of 15 HS-PDSCH channels, both QPSK and 16 QAM modulation • Support for 3GPP-defined features: <ul style="list-style-type: none"> • R99 transport channels • Maximum of four simultaneous HS-SCCH channels • CQI and ACK/NACK on HS-DPCCH channel • All incremental redundancy versions for HARQ • Configurable support for power classes 3 or 4, per TS 25.101 • TFC selection limitation on UL factoring in transmissions on the HS-DPCCH, per TS 25.133 • Switching between HS-PDSCH and DPCH channel resources, as directed by the network • Network activation of compressed mode by SF/2 or HLS on the DPCH for conducting inter-frequency or inter-radio access technology (RAT) measurements when the HS-DSCH is active • STTD on both associated DPCH and HS-DSCH simultaneously • CLTD mode 1 on the DPCH when the HS-PDSCH is active • STTD on HS-SCCH when STTD or CLTD mode 1 are configured on the associated DPCH • SCH-IC support • HS-DSCH DRX support

Table 2-8: Supported WCDMA Specifications^a (Continued)

Standard	Feature Description
R6 HSUPA	<ul style="list-style-type: none"> • E-DCH data rates of up to 5.76 Mbps for 2 ms TTI (UE category 6) uplink • Support for 3GPP-defined features: <ul style="list-style-type: none"> • E-AGCH, E-RGCH, and E-HICH channels for downlink; E-RGCH and E-HICH supports serving and non-serving radio links, with up to four radio links in the E-DCH active set • All HARQ incremental redundancy versions and maximum number of HARQ retransmissions • Uplink E-DCH channel with support for up to four E-DPDCH channels • HSUPA channels run simultaneously with R99 and HSDPA channels • STTD on all HSUPA downlink channels • CLTD mode 1 on HS-PDSCH and DPCH along with HSUPA channels • Switch between HSUPA channels and DPCH channel resources, as directed by the network • Handover using compressed mode with simultaneous E-DCH and HS-DSCH interactive, background, and streaming QoS classes • CSD fallback (WP7607 and WP7608) • DPCCH DTX support

a. WP7603, WP7607, WP7608, WP7609 only

2.2.1.3 LTE Specifications

The following table describes LTE specifications for AirPrime WP76XX modules.

Table 2-9: Supported LTE Specifications

Standard	Feature Description
R13	<ul style="list-style-type: none"> • eDRX (Extended Discontinuous Reception) to extend battery life in devices that do not require frequent network access

Table 2-9: Supported LTE Specifications (Continued)

Standard	Feature Description
R10	<ul style="list-style-type: none"> • Release 10 mandatory LTE features • Data rates: <ul style="list-style-type: none"> • WP7601-1, WP7603-1, WP7607-1, WP7608-1—Cat 1 FDD (up to 10 Mbps downlink, 5 Mbps uplink) • WP7601, WP7603, WP7607, WP7608, WP7609—Cat 4 FDD (up to 150 Mbps downlink, 50 Mbps uplink) • 1.4 MHz, 3 MHz, 5 MHz, 10 MHz, 15 MHz and 20 MHz RF bandwidth • IPv6, QoS • Inter-RAT capabilities with HSPA+ (WP7603, WP7607, WP7608, WP7609 only) • NAS & RRC standalone security • Commercial Mobile Alert System (CMAS) • ETWS (Earthquake Tsunami Warning System) notification • Inter-frequency/bandwidth mobility • DRX cycle while in: <ul style="list-style-type: none"> • Connected mode • Idle mode • UE IRAT support for Self Organizing Networks and Automatic Neighbor Relation (SON AR) • Mode reselections: <ul style="list-style-type: none"> • LTE ↔ GERAN Idle mode mobility (cell reselection) • LTE ↔ UMTS Idle mode mobility (cell reselection) • Mode redirections: <ul style="list-style-type: none"> • UMTS to LTE redirections <ul style="list-style-type: none"> • Blind redirection • Based on measurements during WCDMA compressed mode gaps • GERAN to LTE redirections (blind; no measurements) • LTE to UMTS redirections (with measurements on UMTS) • LTE to UMTS PS Handover • LTE/GW Data Silent Redial for InterRAT • Attach/detach PS during Voice Call or SMS • (WP7603, WP7607, WP7608, WP7609 only) WCDMA fallback
System Determination	<ul style="list-style-type: none"> • Frequency Scan and System Selection within LTE • LTE BPLMN support • LTE Connected mode OOS • System selection across RATs, Standalone Security, Dedicated EPS Bearer Management and Dormancy • System selection across LTE, UMTS (WP7603, WP7607, WP7608, WP7609 only), GERAN • 256 UPLMN and 256 OPLMN entries in UIM support • Carrier Specific BSR Requirements

Table 2-9: Supported LTE Specifications (Continued)

Standard	Feature Description
Data	<ul style="list-style-type: none"> • Data call throttling • Default IPv4 bearer activation at attach/IPv4 data call • NW and UE initiated QoS • Dual IP and IPv4/IPv6 continuity • IPv4/IPv6 session continuity • W/G IP session continuity • Emergency services—LTE NAS Support for Control Plane LTE Positioning Protocol

2.2.2 Modem Specifications

Table 2-10: Supported Modem Specifications^a

Standard	Feature Description
Data	<ul style="list-style-type: none"> • IPHC protocol as RFC 2509 • Stateless DHCPv4 protocol to get P-CSCF and DNS addresses • IPv4/IPv6 • Dual IP on single QMAP PDN • Multi-QMAP PDN Data Call

a. Preliminary

2.3 Multi-Core Processing Capabilities

The AirPrime WP76XX is a powerful multiple-core system that includes:

- One QDSP6 core, embedding Telecom firmware with integrated cellular voice (WCDMA), VoLTE (future firmware release), data and wireless Internet connectivity
- One Cortex A7 core entirely dedicated to customer application and natively provided with Linux operating system

>> 3: Technical Specifications

3.1 Environmental

The environmental specifications for operation and storage of the AirPrime WP76XX are defined in Table 3-1.

Table 3-1: Environmental Specifications

Parameter	Range	Operating Class
Ambient Operating Temperature	-30°C to +70°C	Class A
	-40°C to +85°C	Class B
Ambient Storage Temperature	-40°C to +85°C	-
Ambient Humidity	95% or less	-

Class A is defined as the operating temperature range within which the device:

- Shall exhibit normal function during and after environmental exposure.
- Shall meet the minimum requirements of 3GPP or appropriate wireless standards.

Class B is defined as the operating temperature range within which the device:

- Shall remain fully functional during and after environmental exposure
- Shall exhibit the ability to establish any of the device's supported call modes (SMS, Data, and emergency calls) at all times even when one or more environmental constraint exceeds the specified tolerance.
- Unless otherwise stated, full performance should return to normal after the excessive constraint(s) have been removed.

3.2 Power Supply Ratings

The AirPrime WP76XX operates using DC power supplied via the VBAT_RF and VBAT_BB signals. Power supply options are:

- (Recommended) A single regulated DC power supply (3.7V nominal)
- Two regulated DC power supplies (3.7V nominal), one each for VBAT_BB and VBAT_RF

Note: Operation above the maximum specified operating voltage (see [Table 3-3 on page 41](#)) is not recommended, and specified typical performance or functional operation of the device is neither implied nor guaranteed.

Note: Proper operation is not guaranteed while using USB_VBUS power.

Table 3-2: Power Supply Pins

Pin	Name	Direction	Function	Notes
63, 158	VBAT_BB	Input	Baseband power supply	63—Must be used 158—Optional
61, 62, 157	VBAT_RF	Input	RF power supply	61/62—Must be used 157—Optional

Table 3-3: Operating Conditions^a

Parameter	Min	Typ	Max	Units	Notes	
Power supply voltage ^{b, c}	3.4	3.7	4.3	V	Must be within min/max values over all operating conditions (including voltage ripple, droop, and transient).	
Power supply ripple	-	-	100	mV _{pp}	See Figure 3-1 on page 42 .	
Power supply voltage droop	-	-	250 ^d	mV	See Figure 3-1 on page 42 and Under-Voltage Lockout (UVLO) on page 42 .	
Power supply voltage transient (overshoot/undershoot)	-	-	300 ^d	mV	See Figure 3-1 on page 42 .	
Supply current	LTE, UMTS	-	0.8	1.5	A	<ul style="list-style-type: none"> Typical value varies and depends on output power, band, and operating voltage. See Current Consumption on page 52 for values measured under normal operating conditions. Max value measured over 100 μs period.
	GSM	-	1.0	3.0	A	

- a. Preliminary values, subject to change.
- b. Power supply voltage outside the required range may affect call quality (dropped calls, data transfer errors, etc.)
- c. For Absolute Maximum Ratings, see [Table 3-40 on page 70](#).
- d. Values to be confirmed for WP7607/WP7609

Customer should characterize the ripple, droop, and transient response (overshoot/undershoot) of the power supply delivery system at the module input under full transmit power in GSM mode if supported, or LTE mode if not. To minimize voltage variation, add suitable capacitors to the supply line as close as possible to the module—depending on the power supply design, these capacitors may range from tens to several thousand μF.

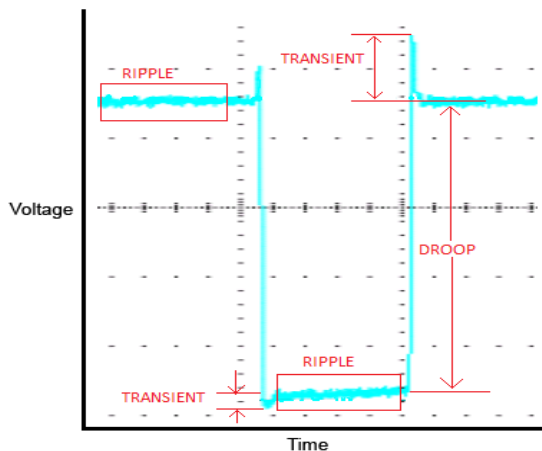


Figure 3-1: Power Supply Characteristics (capture enlarged)

3.2.1 Under-Voltage Lockout (UVLO)

The power management section of the AirPrime WP76XX includes an under-voltage lockout circuit that monitors supply and shuts down when VBAT_BB falls below the threshold.

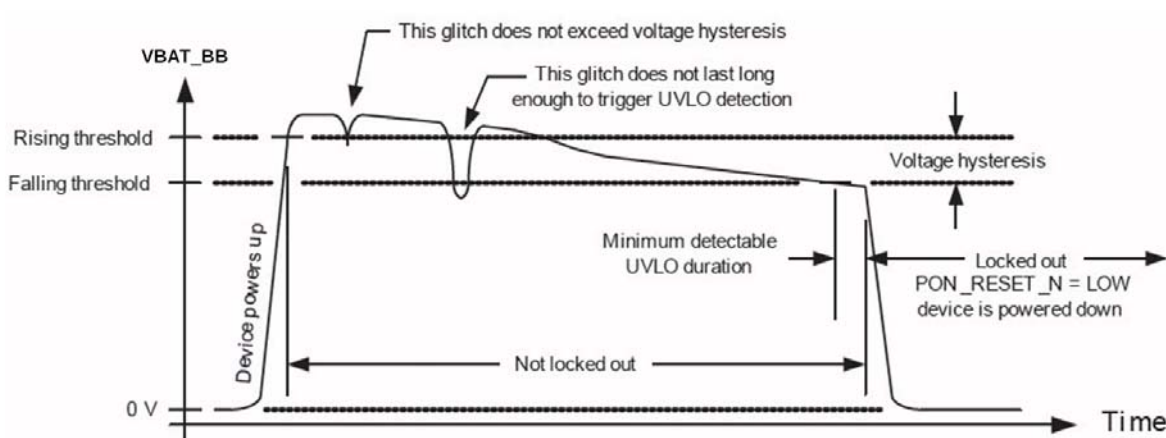


Figure 3-2: Under-Voltage Lockout (UVLO) Diagram

The AirPrime WP76XX will power down and remain off until VBAT_BB returns to the valid range and the ON/OFF signal is active.

Note: If the device experiences six consecutive UVLO events less than 45 seconds apart (approximately) and a host-initiated power down or reset has not occurred, the device enters a mode in which only the DM port enumerates on the USB.

Table 3-4: UVLO Specifications

Parameter	Min	Typ	Max	Units
Threshold voltage, falling	2.225	2.4	2.80	V
Threshold voltage, accuracy	-5	-	+5	%
Hysteresis	-	425	-	mV

Table 3-4: UVLO Specifications (Continued)

Parameter	Min	Typ	Max	Units
UVLO detection interval	-	1.0	-	μs

3.2.2 Power Consumption States

The AirPrime WP76XX has four basic power states (Active, Sleep, Ultra Low Power State (ULPMS), and Off). As the module transitions between power states, the range of available device functionality adjusts appropriately, as described in [Table 3-5 on page 43](#) and [Figure 3-3 on page 46](#).

In the Active state, the module is ON with the application processor running. In Sleep state, the processor suspends its activity, reducing power consumption. The Active and ULPS states have more than one power mode each, to reduce power consumption. ULPS supports both Power Saving Mode (PSM, network-dependent) and Ultra Low Power Mode (ULPM), which may be enabled to achieve the lowest possible average power consumption.

Table 3-5: Supported Power States

State	Description
Active	<p>Module is fully powered (Linux can be run in the Application Core; modem is on) and operating in one of the following modes:</p> <ul style="list-style-type: none"> • Full function (WWAN radio active; GNSS radio can be turned on/off)—Highest power consumption. • Idle mode (WWAN radio on; Module registered on network, but no active connection; GNSS radio can be turned on/off) • Airplane mode (WWAN radio off; GNSS radio can be active if allowed by PRI) • eDRX (Extended Discontinuous Reception)—eDRX mode provides a ‘flexible sleep’ for the modem, which significantly reduces energy consumption. For eDRX details, see Extended Discontinuous Reception (eDRX) on page 50.
Sleep	<p>Lower power consumption than Active state, but higher than ULPS.</p> <ul style="list-style-type: none"> • Application Core is sleeping; modem is in DRX/eDRX. The processor monitors signals (triggers) that can ‘wake’ the module—see Wakeup Interrupt (Sleep State) on page 87 for details. <p>Sleep state can be entered based on USB-SS (if USB is connected to the module), UART_DTR, wake_lock(), configured GPIOs, and QMI exchanges from the modem.</p> <p><i>Note: On Windows systems, due to limitations of the Windows ECM driver, Sleep state is only supported if ECM is disabled or USB is disconnected.</i></p>

Table 3-5: Supported Power States (Continued)

State	Description
Ultra Low Power State (ULPS)	<p>ULPS is entered through either ULPM or PSM, and enables the module to attain its lowest power consumption by turning off the Application Core processor (no applications will run) while waiting for wakeup sources ('boot sources'). When the module wakes from ULPS, the module reboots into the Active state.</p> <p>AUIs (Legato, Linux sysfs, and AT interface) are available to:</p> <ul style="list-style-type: none"> • Configure wakeup sources (also known as boot sources) • Select ULPM, PSM, or PSM with ULPM fallback (when PSM is not supported by the network) <p><i>Note: Some configuration options are not available in different AUIs (e.g. AT/sysfs allow selection of PSM, ULPM, and PSM with ULPM fallback, while Legato supports only PSM with ULPM fallback).</i></p> <p>Once a module is in ULPS, it remains in this state until woken by a wakeup source (see Table 3-6 on page 45). ULPS current consumption varies depending on configured triggers. For example, the lowest consumption occurs when the processor is waiting only for a timer (approximately 6 μA), and the highest consumption occurs when all supported triggers are configured.</p> <p><i>Note: Current consumption in both ULPM and PSM modes will be similar.</i></p> <p>For details on configuring ULPM, and how the module transitions between Active and ULPM states, see Current Consumption on page 52.</p>
	<p>Ultra Low Power Mode (ULPM)</p> <p>ULPM is an operational mode that allows the module to enter ULPS without any dependency on network support.</p> <p>AUIs (Legato, Linux sysfs, and AT interface) are first used to configure wakeup sources. Then, when the application uses an AUI to enable ULPM, the module detaches from the network (if currently attached) and enters ULPS.</p> <p>When a wakeup source triggers exit from ULPS, the modem and application processors boot up and the module reattaches to the network to resume operation in Active state until ULPM is again enabled by the application.</p> <p><i>Note: All interfaces connected to the module's GPIOs (see Table 4-7 on page 85) must be tri-stated or off to prevent additional leakage current during ULPM and potentially damaging the unit by applying a voltage when the GPIOs are off.</i></p>
	<p>LTE Power Saving Mode (PSM)</p> <p>3GPP Release 12 introduced network support of PSM. PSM allows the module to negotiate, with the network, an extended period during which registration context with the network is retained while the module is unreachable. During the negotiated period, the module enters ULPS.</p> <p>When a wakeup source triggers exit from ULPS, the modem and application processors boot up and the module sends a TAU (Tracking Area Update) to the network.</p> <p>After sending the TAU, the module remains active to allow any pending data to be exchanged with the network. Then, after a negotiated period of inactivity, the module automatically returns to ULPS to repeat the PSM cycle.</p> <p><i>Note: Wakeup sources are retained across PSM cycles, but may be changed by the application during the active period, if desired.</i></p> <p>For PSM details, see Power Saving Mode (PSM) on page 47.</p>

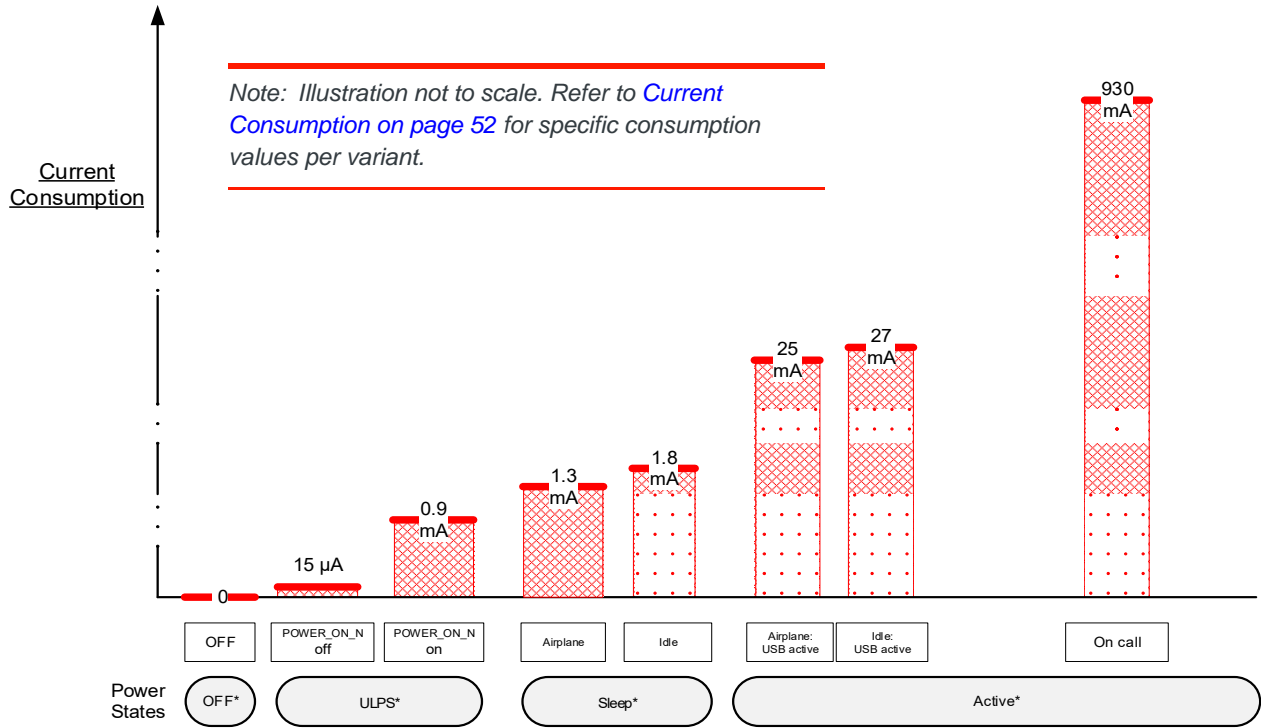
Table 3-5: Supported Power States (Continued)

State	Description
	<p>Comparison — PSM vs. ULPM</p> <p>PSM differs from ULPM in the following ways:</p> <ul style="list-style-type: none"> • PSM is network-dependent (network must support 3GPP PSM), with a repeating cycle of an Active period and an inactive period, managed by the telecom stack. ULPM is network-independent, and each entry to ULPS is controlled by the application. • PSM is subject to timer values negotiated with the network, including a 'TAU' wakeup timer (initially set by the module, then negotiated with and agreed to be the network) that is automatically managed by the telecom stack. ULPM may remain in ULPS indefinitely, waiting for non-time-based wakeup sources. • In PSM, networking layer signaling overhead is reduced and context (such as IP address) is retained. Application data coming (downlink) from the network is queued for the next active period. Note that the processor can be woken by a wakeup source during the inactive period to send data without needing to reattach to the network. • In PSM, radio resource signaling is reduced—TAU requires much less radio signaling than ULPM detach/reattach.
OFF	<p>Module is OFF (no power to the system). Apply power for system to go to:</p> <ul style="list-style-type: none"> • Active state (POWER_ON_N is asserted) or • ULPS (POWER_ON_N is de-asserted)

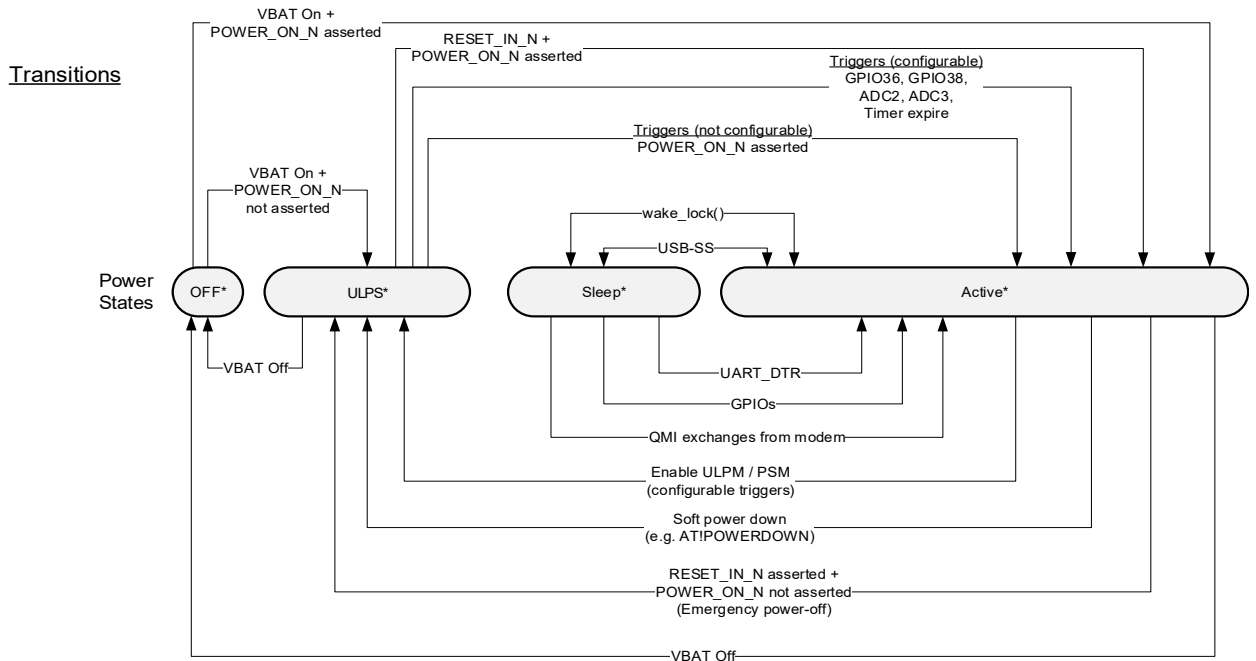
Table 3-6: ULPS Wakeup Sources

Type	Description
PSM TAU timer	<p>Periodic TAU—PSM Cycle Timer (T3412) Configurable timer specifying PSM sleep duration. See Table 3-7 on page 48 for configuration methods. Applies to PSM only.</p>
ULPS wakeup timer	<p>Timer that triggers after a specified period.</p> <ul style="list-style-type: none"> • ULPM—Optional • PSM—Derived from TAU timer (value is automatically set slightly shorter than TAU timer to ensure module boot completes before TAU timer expires)
ADC interrupt	<p>ADCs (ADC2, ADC3) configured for asynchronous wakeup of module. ADCs may be configured to trigger on threshold (above/below; e.g. wake on ADC2 above 1.2V) or range (inside/outside; e.g. wake when value is inside a specified range, or outside a specified range). Applies to both ULPM and PSM.</p>
GPIO interrupt	<p>Interrupt-capable GPIOs (GPIO36, GPIO38) configured for asynchronous wakeup of module. GPIOs may be configured to trigger on level transition (high/low) or edge transition (rising/falling/both). Applies to both ULPM and PSM.</p>
RESET_IN_N	<p>Resets the module with POWER_ON_N ON. Applies to both ULPM and PSM. <i>Note: If RESET_IN_N is used when POWER_ON_N is OFF, an emergency power off occurs—see Emergency Power Off on page 81.</i></p>
POWER_ON_N	<p>Wakes the module when asserted (transitions from OFF to ON). Applies to both ULPM and PSM.</p>

Figure 3-3 on page 46 illustrates the current consumption requirements of the different power states and the possible transitions between power states. For specific values, see module-specific current consumption tables in [Current Consumption on page 52](#).



* Refer to [Table 3-5 on page 43](#) for Power State definitions.



Note: VBAT = VBAT_BB and VBAT_RF

Figure 3-3: Power State Transitions

3.2.3 Power Saving Mode (PSM)

Power Saving Mode (PSM) is a 3GPP feature that allows the WP76xx to minimize power consumption by registering on a PSM-supporting LTE network, entering ULPS (a very low power ‘dormant’ state) for a pre-configured duration (via a periodic TAU (Tracking Area Update) timer), and then booting up for a short period to transmit/receive data, before re-entering ULPS. During the dormant period, the module remains unreachable by the network until woken by a configured wakeup source (timer, ADC, GPIO, POWER_ON_N, RESET_IN_N) or the expiry of the periodic TAU timer.

Note: When using PSM, the POWER_ON_N signal must be floating. If this signal is grounded, it will automatically trigger a wake.

Note: Simplified current consumption pattern to illustrate general structure of PSM cycle power state transitions.

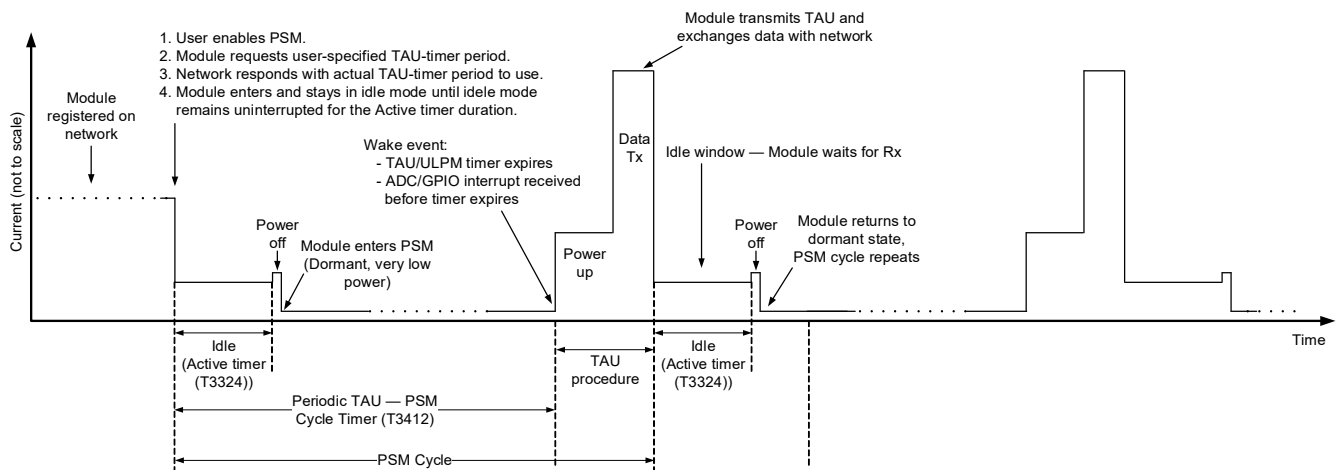


Figure 3-4: PSM Example (Simplified)

Typical candidates for PSM are systems (such as monitors and sensors) that:

- Require long battery life (low power consumption)
- Tolerate very long latency for mobile-terminated SMS/data
- Do not use mobile-terminated voice
- Send and/or receive data infrequently and periodically (e.g. on a given schedule of once every few hours, days, weeks, etc.)

For example, a module connected to a sensor can be configured to:

- Wake periodically to transmit collected data to a server or network entity (e.g. once per week schedule, or when a sensor activates an ADC interrupt due to an out-of-range reading), then
- Wait a short (configured) period of time to receive transmissions (e.g 60 seconds) and then return to its dormant state.

Table 3-6 describes the available triggers for waking a WP76xx from ULPS. These triggers are configured using the methods described in Table 3-7.

Table 3-7: ULPS-Related Application User Commands/Interfaces

Type	Command ^a /Interface	Description
AT	+CPSMS	<p>3GPP-defined command (3GPP TS27.007 Release 12) that allows direct control of all LTE PSM parameters, and is useful for advanced users wanting to test/experiment with different options. This command is limited to networks that support PSM.</p> <p>It is not expected that every user must be fully versed in the details of PSM to take advantage of its capabilities.</p> <p>Use this command to:</p> <ul style="list-style-type: none"> • Enable/disable LTE PSM. • Configure Period TAU timer (T3412) with a requested maximum duration of the dormant period. • Configure Active timer (T3324) with a requested 'idle mode time' (the duration the module remains idle before going dormant) • For usage details, refer to [1] AirPrime WP8548/WP75xx/WP76xx/WP77xx AT Command Reference. (This command follows the 3GPP TS 27.007, Release 12 specification, with exceptions noted for certain parameters.) <p><i>Note: The requested timer values are negotiated with the network and the final negotiated values take effect immediately, then persist across power cycles (e.g. after a power cycle, the settings will be used during network attach).</i></p>
	!POWERMODE	<p>Custom Sierra Wireless command that allows application developers to simplify the harmonization of PSM and ULPM without needing to consider whether PSM is supported on the network to which the WP module is currently attached.</p> <p>The command can be used to select the power mode (ULPM, PSM, PSM with ULPM fallback).</p> <p><i>Note: The Legato ulpm API provides equivalent functionality.</i></p>
	!POWERWAKE	<p>Custom Sierra Wireless command used to configure the wakeup sources for both PSM and ULPM, such as GPIOs, ADCs, and ULPS timer.</p> <p><i>Note: The Legato ulpm API provides equivalent functionality.</i></p>
<p>Important: Sierra Wireless recommends not combining use of +CPSMS and !POWERWAKE. These commands have some functional overlap, which may result in unexpected effects.</p>		
API	<p>Legato Power Services:</p> <ul style="list-style-type: none"> • Power Manager • Ultra Low Power Mode • Boot Reason Query 	<p>Legato APIs and Linux sysfs nodes are available to configure and enable the feature.</p>

- a. For AT command details, refer to [1] AirPrime WP8548/WP75xx/WP76xx/WP77xx AT Command Reference, available from the device's page on source.sierrawireless.com.
For API library function details, refer to docs.legato.io/latest/legatoServicesPowerMain.html.

Example: PSM Process

The following example describes how the module uses PSM (as shown in [Figure 3-4 on page 47](#)):

1. Module registers on an LTE network.
2. User enables PSM via AT command or API library function, specifying the desired TAU timer and Active timer periods, and optional wakeup sources.
3. Module submits the PSM request (including desired TAU timer) to the network.
4. Network responds and indicates whether PSM is supported and (if it is) indicates the actual TAU timer to use.
5. If the network supports PSM:
 - a. Module enters idle mode (waiting for Rx from network).
 - b. When module has remained idle for the Active timer period, module powers off (except for maintaining timer and interrupts) and enters ULPS.
 - c. Module remains in ULPS for the specified period or until a configured trigger (ADC or GPIO interrupt, POWER_ON_N, RESET_IN_N) wakes it.

Note: If traffic must be transmitted when the module is in the sleep portion of the cycle, the module can initiate data/SMS/voice session immediately.

- d. Module powers up before TAU timer expires, then transmits TAU and/or exchanges data with network.
- e. Module enters idle mode and cycle repeats.

Note: When the module is powered up, the PSM request can be re-issued with different timers and triggers to adjust the PSM behavior. These new settings take effect immediately.

Important Notes

- Carefully select the PSM Periodic-TAU timer and Active Time values to match the intended use case(s) for the module:
 - Periodic TAU PSM Cycle timer (T3412)—Note that while the module is dormant (for the duration of this timer, unless woken by a user-configured ADC or GPIO interrupt, or POWER_ON_N or RESET_IN_N), it will be completely unreachable by the network.
 - Active Time (Idle mode time after transmission (T3324))—Make sure to set the Active timer high enough to provide appropriate delay-tolerance for mobile-terminated/network-originated transmissions to be received.
- When using multiple devices, consider scheduling the modules to wake at different times so that the network does not get flooded by all modules waking and transmitting simultaneously.

3.2.4 Active State to ULPS Transition

If the module will be used in situations where it needs to be active very infrequently (for example, in a remote monitoring station that must transmit data periodically—e.g. on a regular schedule ranging from days to weeks or more), Ultra Low Power Mode (ULPM) or PSM (Power Saving Mode) may be used to reduce power consumption much more than is possible in Sleep state (low power active state):

1. Configure one or more supported wakeup sources that the processor will monitor while the module is in ULPS. See [Table 3-6 on page 45](#).

Note: Wakeup source configurations are persistent — if the module enters ULPS and then returns to Active power state, the configured triggers remain in effect.

2. Initiate ULPM or PSM. The module will enter ULPS unless one or more of the configured wakeup sources is currently triggered. If the module does not enter ULPS, the request must be explicitly repeated—the module will not attempt to enter ULPS automatically.

3.2.5 Extended Discontinuous Reception (eDRX)

The WP76xx supports eDRX, which is a ‘flexible sleep’ active mode that allows for longer sleep duration (T_{C-eDRX} , T_{I-eDRX}) and a significant decrease in power consumption compared to regular DRX (T_{C-DRX} , T_{I-DRX}).

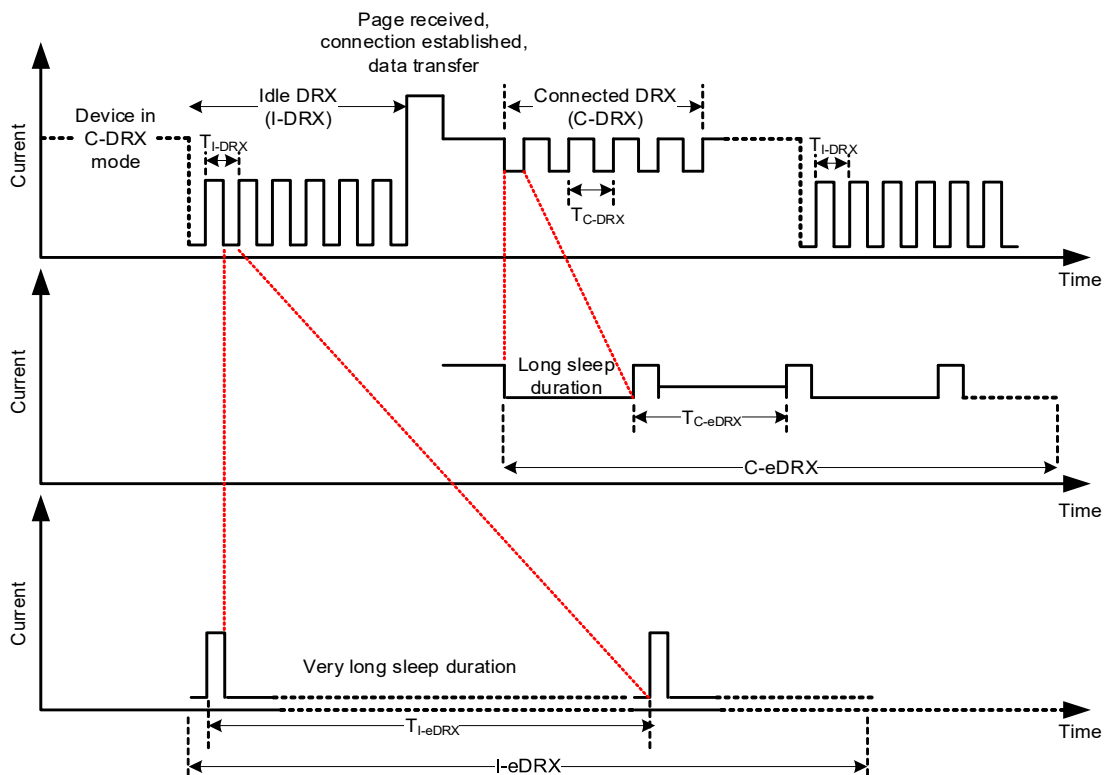


Figure 3-5: eDRX Example (Simplified)

Specifically, the WP76xx supports two forms of eDRX, both of which extend the DRX cycle (the paging cycle comprised of a paging window during which the module is awake and able to receive or transmit on the network, and a sleep period during which the network cannot wake the module) by increasing the sleep duration beyond the DRX maximum of 2.56 seconds:

- I-eDRX (Idle mode eDRX)—The sleep duration of the DRX cycle can be set up to 44 minutes for LTE-M, and up to 175 minutes for NB-IOT.
Note that I-eDRX has wider network support than C-eDRX.
- C-eDRX (Connected mode eDRX)—The sleep duration of the DRX cycle can be set up to 10 seconds.

Note: If traffic must be transmitted when the module is in the sleep portion of the cycle, the module can initiate data/SMS/voice session immediately.

Table 3-8 describes the available methods for configuring eDRX.

Table 3-8: eDRX-Related Commands^a

Type	Command	Description
AT	+CEDRXS	Enable/disable eDRX, and configure related settings
AT	+CEDRXRDP	Display current eDRX settings
API	le_lpt_SetEDrxState()	Enable/disable eDRX
API	le_lpt_SetRequestedEDrxValue()	Set eDRX cycle length for a specified RAT
API	le_lpt_GetRequestedEDrxValue()	Get eDRX cycle length for a specified RAT
API	le_lpt_GetNetworkProvidedEDrxValue()	Get eDRX cycle length provided by the network.
API	le_lpt_GetNetworkProvidedPagingTimeWindow()	Get the paging window provided by the network (Note: the paging window cannot be set by the module.)
API	le_lpt_AddEDrxParamsChangeHandler()	Set notifications for changes in network-provided eDRX parameters
API	le_lpt_RemoveEDrxParamsChangeHandler()	Remove the handler.

a. For AT command details, refer to [1] AirPrime WP8548/WP75xx/WP76xx/WP77xx AT Command Reference from the device's page on source.sierrawireless.com. For API command details, refer to the latest Legato Release Notes at legato.io/legato-docs/latest/c_mrc.html.

Example: eDRX Process

- Use the AT+CEDRXS command to configure the desired eDRX behavior.
- During the network attachment process:
 - eDRX request and settings are sent to the network
 - Network responds and indicates whether eDRX is supported for the connection and may adjust the eDRX parameters.
- If eDRX is supported by the network:
 - While in active mode (connected), the C-eDRX sleep duration is used if supported, otherwise the regular DRX sleep duration is used.
 - While in idle mode, the I-eDRX sleep duration is used if supported, otherwise the network uses the standard LTE I-DRX value.

Important Notes

- The sleep duration must be carefully selected to match the intended use case(s) for the module. While the module is asleep, it will be unreachable by the network. The duration should provide appropriate delay-tolerance for mobile-terminated/network-originated transmissions to be received.
- Due to the extended sleep time compared to regular DRX, eDRX is not suitable for most mobile-terminated voice connections.
- Network-side store and forward is supported—Packets will be stored until the module is reachable.

3.2.6 Current Consumption

The following tables describe the AirPrime WP76XX modules' current consumption under various power states. Typical values are measured at nominal supply voltage, nominal ambient temperature, and with a conducted 50Ω load on the antenna port.

Table 3-9: WP7601 Current Consumption Values^a

Mode	Parameter	Min	Typ ^b	Max ^c	Units	
Power state—Active						
LTE Data transfer ^d	B4	175	655	860	mA	
	B13	140	500	725	mA	
Idle—LTE	<ul style="list-style-type: none"> • Registered • Paging cycle=256 	USB active	23	23.5	25	mA
		USB-SS	1.6	1.7	1.8	mA
Idle—LTE eDRX	Period	40 sec	0.93 (TBC)	0.98 (TBC)	1.2 (TBC)	mA
Airplane mode	Radio off	USB active	21	22	24	mA
		USB-SS	0.8	0.85	0.9	mA
Power state—Ultra Low Power Mode (ULPM)						
See Table 3-13 on page 56 for details.						
Power state—Power Saving Mode (PSM)						
Non-active	Low power state	TBD	TBD	TBD	μA	
GNSS ^e						
GNSS	Acquisition (Airplane mode, cold start)	15	25	35	mA	
	Tracking (Registered)	15	25	35	mA	

a. All values are preliminary, subject to change.

b. Typical, measured at nominal temperature, nominal voltage.

c. Worst case transmit values measured at 70°C, 3.4V. Worst case idle mode values measured at room temperature, 3.7V.

d. Min value at LTE conducted min Tx output power; Typ/Max values at LTE conducted max Tx output power (see [Table 3-26 on page 61](#))

e. GNSS current consumption values are for the GNSS radio only. For total consumption, add the GNSS value to the consumption for the mode being used.

Table 3-10: WP7603 Current Consumption Values^a

Mode	Parameter	Min	Typ ^b	Max ^c	Units	
Power state—Active						
HSDPA data transfer ^d	B2	130	585	750	mA	
	B4	130	560	700	mA	
	B5	115	440	585	mA	
LTE Data transfer ^e	B2	175	730	930	mA	
	B4	175	700	870	mA	
	B5	140	480	695	mA	
	B12	140	555	820	mA	
Idle—WCDMA	<ul style="list-style-type: none"> Registered DRX=8 	USB active	20	24	27	mA
		USB-SS	1.2	1.3	1.4	mA
Idle—LTE	<ul style="list-style-type: none"> Registered Paging cycle=256 	USB active	23	23.5	25	mA
		USB-SS	1.6	1.7	1.8	mA
Idle—LTE eDRX	Period	40 sec	0.93	0.98	1.2	mA
Airplane mode	Radio off	USB active	21	22	24	mA
		USB-SS	0.8	0.85	0.9	mA
Power state—Ultra Low Power Mode (ULPM)						
See Table 3-13 on page 56 for details.						
Power state—Power Saving Mode (PSM)						
Non-active	Low power state	TBD	TBD	TBD	µA	
GNSS ^f						
GNSS ^g	Acquisition (Airplane mode, cold start)	15	25	35	mA	
	Tracking (Registered)	15	25	35	mA	

- a. All values are preliminary, subject to change.
- b. Typical, measured at nominal temperature, nominal voltage.
- c. Worst case transmit values measured at 70°C, 3.4V. Worst case idle mode values measured at room temperature, 3.7V.
- d. At WCDMA conducted max Tx output power (see [Table 3-18 on page 58](#))
- e. Min value at LTE conducted min Tx output power; Typ/Max values at LTE conducted max Tx output power (see [Table 3-27 on page 61](#))
- f. GNSS current consumption values are for the GNSS radio only. For total consumption, add the GNSS value to the consumption for the mode being used.
- g. GNSS support is SKU-dependent.

Table 3-11: WP7607 and WP7609 Current Consumption Values^a

Mode	Parameter	Min	Typ ^b	Max ^c	Units	
Power state—Active						
GSM/GPRS/EDGE data transfer	E-GSM 900	160	600	2160 ^d 1020 ^e	mA	
	DCS 1800	150	560	1278 ^d 665 ^e	mA	
HSDPA data transfer ^f	B1	180	803	1140	mA	
	B5 ^g	170	590	860	mA	
	B8	150	550	840	mA	
LTE Data transfer ^h	B1	240	790	850	mA	
	B3	240	740	900	mA	
	B5 ^g	210	750	850	mA	
	B7	300	770	980	mA	
	B8	210	620	700	mA	
	B20 ^j	210	750	850	mA	
Idle—GSM/GPRS/EDGE	<ul style="list-style-type: none"> Registered MFRM=9 	USB active	25	25	36	mA
		USB-SS	1.7	1.8	4	mA
Idle—WCDMA	<ul style="list-style-type: none"> Registered DRX=8 	USB active	25	25	36	mA
		USB-SS	1.6	1.8	4	mA
Idle—LTE	<ul style="list-style-type: none"> Registered Paging cycle=256 	USB active	25	26	39	mA
		USB-SS	1.7	1.8	6	mA
Idle—LTE eDRX	Period	40 sec	TBD	TBD	TBD	mA
Airplane mode	Radio off	USB active	25	25	36	mA
		USB-SS	1.3	1.3	4	mA
Power state—Ultra Low Power Mode (ULPM)						
See Table 3-13 on page 56 for details.						
Power state—Power Saving Mode (PSM)						
Non-active	Low power state	TBD	TBD	TBD	μA	

Table 3-11: WP7607 and WP7609 Current Consumption Values^a (Continued)

Mode	Parameter	Min	Typ ^b	Max ^c	Units
GNSS ^k					
GNSS ^l	Acquisition (Airplane mode, cold start)	15	25	35	mA
	Tracking (Registered)	15	25	35	mA

- a. All values are preliminary, subject to change.
- b. Typical, measured at nominal temperature, nominal voltage.
- c. Worst case, measured at 85°C, on supported DC range.
- d. At GSM conducted 4 slot max Tx output power, measured at peak current on supported DC range.
- e. At GSM conducted 4 slot max TX output power, measured at average current on supported DC range.
- f. At WCDMA conducted max Tx output power (see [Table 3-19 on page 59](#))
- g. Only applicable to the WP7609.
- h. At LTE conducted max Tx output power (see [Table 3-28 on page 61](#))
- j. Only applicable to the WP7607.
- k. GNSS current consumption values are for the GNSS radio only. For total consumption, add the GNSS value to the consumption for the mode being used.
- l. GNSS support is SKU-dependent.

Table 3-12: WP7608 Current Consumption Values^a

Mode	Parameter	Min	Typ ^b	Max ^c	Units	
Power state—Active						
GSM/GPRS/ EDGE data transfer	E-GSM 900	160	650	TBD	mA	
	DCS 1800	140	590	TBD	mA	
HSDPA data transfer ^d	B1	160	710	800	mA	
	B8	140	650	720	mA	
LTE Data transfer ^e	B1	230	750	860	mA	
	B3	220	780	850	mA	
	B5	200	670	720	mA	
	B8	200	680	740	mA	
	B40	140	370	440	mA	
	B41	140	430	520	mA	
Idle—GSM/ GPRS/EDGE	<ul style="list-style-type: none"> • Registered • MFRM=9 	USB active		25.2	TBD	mA
		USB-SS		2.0	3.6	mA
Idle—WCDMA	<ul style="list-style-type: none"> • Registered • DRX=8 	USB active		25.4	TBD	mA
		USB-SS		1.7	3.2	mA
Idle—LTE	<ul style="list-style-type: none"> • Registered • Paging cycle=256 	USB active		25.9	TBD	mA
		USB-SS		1.9	3.9	mA
Idle—LTE eDRX	Period	40 sec	TBD	TBD	TBD	mA

Table 3-12: WP7608 Current Consumption Values^a (Continued)

Mode	Parameter	Min	Typ ^b	Max ^c	Units
Airplane mode	Radio off	USB active	24.5	TBD	mA
		USB-SS	1.3	2.8	mA
Power state—Ultra Low Power Mode (ULPM)					
See Table 3-13 on page 56 for details.					
Power state—Power Saving Mode (PSM)					
Non-active	Low power state	TBD	TBD	TBD	μA
GNSS ^f					
GNSS ^g	Acquisition (Airplane mode, cold start)	15	25	35	mA
	Tracking (Registered)	15	25	35	mA

- a. All values are preliminary, subject to change.
- b. Typical, measured at nominal temperature, nominal voltage.
- c. Worst case, measured at 70°C, 3.4V.
- d. At WCDMA conducted max Tx output power (see [Table 3-20 on page 59](#))
- e. At LTE conducted max Tx output power (see [Table 3-29 on page 61](#))
- f. GNSS current consumption values are for the GNSS radio only. For total consumption, add the GNSS value to the consumption for the mode being used.
- g. GNSS support is SKU-dependent.

[Table 3-13](#) describes parameters that contribute to total current consumption while the module is in ULPM.

Table 3-13: ULPM Current Consumption

Parameter	State	Value ^a	Units
POWER_ON_N	Off	8 (for WP7601, WP7603, WP7607, and WP7609), 15 (WP7608)	μA
	On	900	μA
MCU monitoring triggers	Wakeup timer	-	Insignificant
	GPIO36 GPIO38 ADC2 ^b ADC3 ^b	Configured as open (default)	Insignificant
		Other (Configured as closed and/or dependent on external circuitry design.)	≤ 50

- a. Typical values.
- b. Current consumption is affected by the interval between successive ADC measurements—longer intervals result in significantly lower current consumption.

3.3 RF

This section presents the module’s WWAN RF interface, and defines the specifications for the LTE, HSPA, WCDMA, and GSM interfaces for supporting modules.

Note: RF sensitivity values presented in this section are for soldered-down modules. Sensitivity values decrease for modules installed in snap-in sockets, which might prevent the module from meeting 3GPP minimum specifications.

AirPrime WP76XX embedded modules are designed to be compliant with the standards in [Table 3-14](#).

Table 3-14: Standards Compliance

Technology	Standards	WP7601	WP7603	WP7607	WP7608	WP7609
LTE	<ul style="list-style-type: none"> 3GPP Release 10 	Yes	Yes	Yes	Yes	Yes
UMTS (WCDMA)	<ul style="list-style-type: none"> 3GPP Release 8 	N/A	Yes	Yes	Yes	Yes
GSM	<ul style="list-style-type: none"> ETSI GSM 05.05 3GPP TS 45.005/Antecedent TS 05.05 	N/A	N/A	Yes	Yes	Yes

3.3.1 GSM/GPRS/EDGE RF Interface

This section presents the GSM/GPRS/EDGE RF specification for AirPrime WP7607, WP7608, and WP7609 modules.

3.3.1.1 GSM/GPRS/EDGE Tx Output Power

The module’s GSM/GPRS/EDGE maximum transmitter output power is specified in [Table 3-18](#).

Table 3-15: WP7607/WP7608/WP7609 Conducted Tx Max Output Power Tolerances — GSM/GPRS/EDGE^a

RF band	Min	Typ	Max	Units	Notes
E-GSM 900	31	33	34	dBm	GMSK mode (Class 4; 2 W, 33 dBm)
	24.5	27	29.5	dBm	8PSK mode (Class E2; 0.5 W, 27 dBm)
DCS 1800	28	30	31	dBm	GMSK mode (Class 1; 1 W, 30 dBm)
	23.5	26	28.5	dBm	8PSK mode (Class E2; 0.4 W, 26 dBm)

a. Stated power tolerances satisfy 3GPP TS 51.010-1 requirements for normal (25°C) conditions.

3.3.1.2 GSM/GPRS/EDGE Rx Sensitivity

The module's GSM/GPRS/EDGE receiver sensitivity is specified in [Table 3-22](#).

Table 3-16: WP7607/WP7609 Conducted Rx Sensitivity—GSM/GPRS/EDGE Bands^{a,b}

	@ +25°C (dBm) ^c	@ Class A (dBm) ^d
E-GSM 900	-109	-108
DCS 1800	-109	-108

- All values are preliminary, pending testing confirmation.
- Stated sensitivity values satisfy 3GPP TS 51.010-1 requirements for normal (25°C) and Class A (extreme) conditions.
- Typical value
- Typical value, tested at Class A extreme condition

Table 3-17: WP7608 Conducted Rx Sensitivity—GSM/GPRS/EDGE Bands^{a,b}

	@ +25°C (dBm) ^c	@ Class A (dBm) ^d
E-GSM 900	-110	-109
DCS 1800	-109	-108

- All values are preliminary, pending testing confirmation.
- Stated sensitivity values satisfy 3GPP TS 51.010-1 requirements for normal (25°C) and Class A (extreme) conditions.
- Typical value
- Typical value, tested at Class A extreme condition

3.3.2 WCDMA RF Interface

This section presents the WCDMA RF specification for AirPrime WP7603, WP7607, WP7608 and WP7609 modules.

3.3.2.1 WCDMA Tx Output Power

The module's WCDMA maximum transmitter output power is specified in the following tables.

Table 3-18: WP7603 Conducted Tx Max Output Power Tolerances—WCDMA^a

RF band	Min	Typ	Max	Units	Notes
B2	22	23	24	dBm	Power class 3
B4	22	23	24	dBm	Power class 3
B5	22	23	24	dBm	Power class 3

- Stated power tolerances satisfy 3GPP TS 34.121-1 requirements for normal (25°C) conditions.

Table 3-19: WP7607 Conducted Tx Max Output Power Tolerances — WCDMA

RF band	Min	Typ ^a	Max	Units	Notes
B1	21.5	23	24	dBm	Power class 3 bis
B8	21.5	23	24	dBm	Power class 3 bis

a. Stated typical power tolerance satisfies 3GPP TS 34.121-1 requirements for normal (25°C) conditions.

Table 3-20: WP7608 Conducted Tx Max Output Power Tolerances — WCDMA

RF band	Min	Typ ^a	Max	Units	Notes
B1	23	24	25	dBm	Power class 3
B8	23	24	25	dBm	Power class 3

a. Stated typical power tolerance satisfies 3GPP TS 34.121-1 requirements for normal (25°C) conditions.

Table 3-21: WP7609 Conducted Tx Max Output Power Tolerances — WCDMA

RF band	Min	Typ ^a	Max	Units	Notes
B1	21.5	23	24	dBm	Power class 3 bis
B5	21.5	23	24	dBm	Power class 3 bis
B8	21.5	23	24	dBm	Power class 3 bis

a. Stated typical power tolerance satisfies 3GPP TS 34.121-1 requirements for normal (25°C) conditions.

3.3.2.2 WCDMA Rx Sensitivity

The module’s WCDMA receiver sensitivity is specified in the following tables.

Table 3-22: WP7603 Conducted Rx Sensitivity — WCDMA Bands^{a,b}

Band	+25°C		Class A		Standard Limit (dBm)	Notes
	Primary (dBm) ^c	Secondary (dBm) ^c	Primary (dBm) ^d	Secondary (dBm) ^d		
B2	-112	-113	-111	-112	-104	CS 0.1% BER 12.2 kbps Reference Measurement Channel
B4	-111	-112	-109	-111	-106	
B5	-113	-113	-111	-108	-104	

- a. Stated sensitivity values satisfy 3GPP TS 34.121-1 V8.10.0 requirements for normal (25°C) and Class A (extreme) conditions.
- b. RF sensitivity values are for soldered-down modules.
- c. Typical value
- d. Typical value, tested at Class A extreme condition

Table 3-23: WP7607 Conducted Rx Sensitivity—WCDMA Bands^{a,b,c}

Band	+25°C		Class A		Standard Limit (dBm)	Notes
	Primary (dBm) ^d	Secondary (dBm) ^c	Primary (dBm) ^e	Secondary (dBm) ^d		
B1	-108	-108	-107	-107	-106	CS 0.1% BER 12.2 kbps Reference Measurement Channel
B8	-109	-109	-109	-109	-103	

- a. All values are preliminary, pending testing confirmation.
- b. Stated sensitivity values satisfy 3GPP TS 34.121-1 V8.10.0 requirements for normal (25°C) and Class A (extreme) conditions.
- c. RF sensitivity values are for soldered-down modules.
- d. Typical value
- e. Typical value, tested at Class A extreme temperature

Table 3-24: WP7608 Conducted Rx Sensitivity—WCDMA Bands^{a,b,c}

Band	+25°C		Class A		Standard Limit (dBm)	Notes
	Primary (dBm) ^d	Secondary (dBm) ^c	Primary (dBm) ^e	Secondary (dBm) ^d		
B1	-109	-109	-107	-109	-106	CS 0.1% BER 12.2 kbps Reference Measurement Channel
B8	-110	-110	-108	-109	-103	

- a. All values are preliminary, pending testing confirmation.
- b. Stated sensitivity values satisfy 3GPP TS 34.121-1 V8.10.0 requirements for normal (25°C) and Class A (extreme) conditions.
- c. RF sensitivity values are for soldered-down modules.
- d. Typical value
- e. Typical value, tested at Class A extreme temperature

Table 3-25: WP7609 Conducted Rx Sensitivity—WCDMA Bands^{a,b,c}

Band	+25°C		Class A		Standard Limit (dBm)	Notes
	Primary (dBm) ^d	Secondary (dBm) ^c	Primary (dBm) ^e	Secondary (dBm) ^d		
B1	-108	-108	-107	-107	-106	CS 0.1% BER 12.2 kbps Reference Measurement Channel
B5	-109	-108	-108	-106	-104	
B8	-109	-109	-109	-109	-103	

- a. All values are preliminary, pending testing confirmation.
- b. Stated sensitivity values satisfy 3GPP TS 34.121-1 V8.10.0 requirements for normal (25°C) and Class A (extreme) conditions.
- c. RF sensitivity values are for soldered-down modules.
- d. Typical value
- e. Typical value, tested at Class A extreme temperature

3.3.3 LTE RF Interface

This section presents the LTE RF specification for AirPrime WP76XX modules.

3.3.3.1 LTE Tx Output Power

The module's LTE maximum transmitter output power is specified in the following tables.

Table 3-26: WP7601 Conducted Tx Max Output Power Tolerances —LTE^a

RF band	Operating condition	Min	Typ	Max	Units	Notes
B4	Normal (25°C)	22	23	24	dBm	Power class 3
B13	Normal (25°C)	22	23	24	dBm	Power class 3

a. Stated power tolerances satisfy 3GPP TS 36.521-1 requirements for normal (25°C) and Class A (extreme) conditions.

Table 3-27: WP7603 Conducted Tx Max Output Power Tolerances —LTE^a

RF band	Operating condition	Min	Typ	Max	Units	Notes
B2	Normal (25°C)	22	23	24	dBm	Power class 3
B4	Normal (25°C)	22	23	24	dBm	Power class 3
B5	Normal (25°C)	22	23	24	dBm	Power class 3
B12	Normal (25°C)	22	23	24	dBm	Power class 3

a. Stated power tolerances satisfy 3GPP TS 36.521-1 requirements for normal (25°C) and Class A (extreme) conditions.

Table 3-28: WP7607 Conducted Tx Max Output Power Tolerances —LTE^a

RF band	Operating condition	Min	Typ	Max	Units	Notes
B1	Normal (25°C)	21	23	24	dBm	Power class 3
B3	Normal (25°C)	21	23	24	dBm	Power class 3
B7	Normal (25°C)	21	23	24	dBm	Power class 3
B8	Normal (25°C)	21	23	24	dBm	Power class 3
B20	Normal (25°C)	21	23	24	dBm	Power class 3
B28	Normal (25°C)	21	23	24	dBm	Power class 3

a. Stated typical power tolerance satisfies 3GPP TS 36.521-1 requirements for normal (25°C) and Class A (extreme) conditions.

Table 3-29: WP7608 Conducted Tx Max Output Power Tolerances —LTE^a

RF band	Operating condition	Min	Typ	Max	Units	Notes
B1	Normal (25°C)	21	23	24	dBm	Power class 3
B3	Normal (25°C)	21	23	24	dBm	Power class 3

Table 3-29: WP7608 Conducted Tx Max Output Power Tolerances — LTE^a

RF band	Operating condition	Min	Typ	Max	Units	Notes
B5	Normal (25°C)	21	23	24	dBm	Power class 3
B8	Normal (25°C)	21	23	24	dBm	Power class 3
B40	Normal (25°C)	21	23	24	dBm	Power class 3
B41	Normal (25°C)	21	23	24	dBm	Power class 3

a. Stated typical power tolerance satisfies 3GPP TS 36.521-1 requirements for normal (25°C) and Class A (extreme) conditions.

Table 3-30: WP7609 Conducted Tx Max Output Power Tolerances — LTE^a

RF band	Operating condition	Min	Typ	Max	Units	Notes
B1	Normal (25°C)	21	23	24	dBm	Power class 3
B3	Normal (25°C)	21	23	24	dBm	Power class 3
B5	Normal (25°C)	21	23	24	dBm	Power class 3
B7	Normal (25°C)	21	23	24	dBm	Power class 3
B8	Normal (25°C)	21	23	24	dBm	Power class 3
B28	Normal (25°C)	21	23	24	dBm	Power class 3

a. Stated typical power tolerance satisfies 3GPP TS 36.521-1 requirements for normal (25°C) and Class A (extreme) conditions.

3.3.3.2 LTE Rx Sensitivity

The module's LTE receiver sensitivity is specified in the following tables.

Table 3-31: WP7601 Conducted Rx Sensitivity — LTE Bands^a

LTE bands		+25°C (dBm)			Class A (dBm)			SIMO (Worst case) ^b
		Primary (Typical)	Secondary (Typical)	SIMO (Typical)	Primary (Typical)	Secondary (Typical)	SIMO (Typical)	
B4	Full RB BW: 10 MHz ^c	-98	-100	-102	-97	-99	-100	-96.3
B13		-99	-98	-101	-98	-98	-99	-93.3

a. RF sensitivity values are for soldered-down modules.

b. Per 3GPP specification.

c. Sensitivity values scale with bandwidth: $x_MHz_Sensitivity = 10_MHz_Sensitivity - 10 \times \log(10\text{ MHz}/x_MHz)$

Note: Bandwidth support is dependent on firmware version.

Table 3-32: WP7603 Conducted Rx Sensitivity — LTE Bands^a

LTE bands		+25°C (dBm)			Class A (dBm)			SIMO (Worst case) ^b
		Primary (Typical)	Secondary (Typical)	SIMO (Typical)	Primary (Typical)	Secondary (Typical)	SIMO (Typical)	
B2	Full RB BW: 10 MHz ^c	-99	-99	-102	-98	-99	-101	-94.3
B4		-98	-100	-102	-97	-99	-100	-96.3
B5		-100	-100	-103	-99	-99	-100	-94.3
B12		-99	-99	-101	-98	-98	-100	-93.3

- a. RF sensitivity values are for soldered-down modules.
- b. Per 3GPP specification.
- c. Sensitivity values scale with bandwidth: $x_MHz_Sensitivity = 10_MHz_Sensitivity - 10 \times \log(10\text{ MHz}/x_MHz)$
Note: Bandwidth support is dependent on firmware version.

Table 3-33: WP7607 and WP7609 Conducted Rx Sensitivity — LTE Bands^{a,b}

LTE bands		+25°C (dBm)			Class A (dBm)			SIMO (Worst case) ^c
		Primary (Typical)	Secondary (Typical)	SIMO (Typical)	Primary (Typical)	Secondary (Typical)	SIMO (Typical)	
B1	Full RB BW: 10 MHz ^d	-97.5	-96.5	-100	-96.5	-96	-99	-96.3
B3		-97	-97	-100	-96.5	-97	-99	-93.3
B5 ^e		-97.5	-96.5	-99.5	-96	-95	-98	-94.3
B7		-95	-96.5	-99	-94.5	-96	-98	-94.3
B8		-98	-97	-100	-97.5	-96	-99	-93.3
B20 ^f		-97	-96	-99	-97	-95	-99	-93.3
B28		-96	-93	-98.5	-95.5	-92	-98	-94.8

- a. All values are preliminary, pending testing confirmation.
- b. RF sensitivity values are for soldered-down modules.
- c. Per 3GPP specification.
- d. Sensitivity values scale with bandwidth: $x_MHz_Sensitivity = 10_MHz_Sensitivity - 10 \times \log(10\text{ MHz}/x_MHz)$
Note: Bandwidth support is dependent on firmware version.
- e. Only applicable to the WP7609.
- f. Only applicable to the WP7607.

Table 3-34: WP7608 Conducted Rx Sensitivity — LTE Bands^{a,b}

LTE bands		+25°C (dBm)			Class A (dBm)			SIMO (Worst case) ^c
		Primary (Typical)	Secondary (Typical)	SIMO (Typical)	Primary (Typical)	Secondary (Typical)	SIMO (Typical)	
B1	Full RB BW: 10 MHz ^d	-97.5	-98.5	-101	-96	-97	-99	-96.3
B3		-98	-98	-101	-97	-96.5	-99	-93.3
B5		-98.5	-96	-100.5	-97.5	-93	-98	-94.3
B8		-98.5	-99	-102	-98	-97.5	-100	-93.3
B40		-98	-98	-101	-97	-96.5	-99	-93.3
B41		-97.5	-97.5	-100.5	-96	-95.5	-98	-94.8

- a. All values are preliminary, pending testing confirmation.
b. RF sensitivity values are for soldered-down modules.
c. Per 3GPP specification.
d. Sensitivity values scale with bandwidth: $x_MHz_Sensitivity = 10_MHz_Sensitivity - 10 \times \log(10\text{ MHz}/x_MHz)$
Note: Bandwidth support is dependent on firmware version.

3.3.4 WWAN Antenna Interface

The following table defines the WWAN antenna interfaces of the AirPrime WP76XX modules.

Table 3-35: WP76XX WWAN Antenna Interface Pins

Pin #	Signal name	Direction	Function
30	GND		Diversity Antenna Ground
31	RF_DIV	Input	Diversity Antenna Interface
32	GND		Diversity Antenna Ground
48	GND		Primary Antenna Ground
49	RF_MAIN	Input/Output	Primary Antenna Interface
50	GND		Primary Antenna Ground
111	GND		Diversity Antenna Ground
113	GND		Diversity Antenna Ground
136	GND		Primary Antenna Ground
139	GND		Primary Antenna Ground

3.3.4.1 WWAN Antenna Recommendations

Table 3-36 defines the key characteristics to consider for antenna selection.

Table 3-36: Antenna Recommendations^{a,b}

Parameter		Recommendations	Comments
Antenna system		External multi-band antenna system	Dual WWAN antennas for diversity (Antenna 1/ Antenna 2) ^c
Operating bands	WP7601	746–787 MHz	Operating bands depend on the module's supported bands/modes.
		1710–1755 MHz	
		2110–2155 MHz	
	WP7603	699–894 MHz	
		1710–1990 MHz	
		2110–2155 MHz	
	WP7608	824–894 MHz	Operating bands depend on the module's supported bands/modes.
		880–960 MHz	
		1710–1880 MHz	
		1920–2170 MHz	
		2300–2400 MHz	
		2535–2655 MHz	
	WP7607 WP7609	703–960 MHz	Operating bands depend on the module's supported bands/modes.
		1710–1980 MHz	
		2110–2170 MHz	
2500–2690 MHz			
VSWR		< 2.5:1 (worst case)	<ul style="list-style-type: none"> On all bands including band edges Applies to both antennas

Table 3-36: Antenna Recommendations^{a,b} (Continued)

Parameter	Recommendations	Comments
Total radiated efficiency	> 50% on all bands	<ul style="list-style-type: none"> Measured at the RF connector. Applies to both antennas. Includes mismatch losses, losses in the matching circuit, and antenna losses, excluding cable loss. Sierra Wireless recommends using antenna efficiency as the primary parameter for evaluating the antenna system. Peak gain is not a good indication of antenna performance when integrated with a host device (the antenna does not provide omnidirectional gain patterns). Peak gain can be affected by antenna size, location, design type, etc.—the antenna gain pattern remains fixed unless one or more of these parameters change.
Radiation patterns	Nominally omnidirectional radiation pattern in azimuth plane.	
Envelope correlation coefficient between Antenna 1 and Antenna 2	<ul style="list-style-type: none"> < 0.5 on Rx bands below 960 MHz < 0.2 on Rx bands above 1.4 GHz 	
Mean Effective Gain (MEG)	≥ -3 dBi	
Mean Effective Gain Imbalance—Antenna 1 and Antenna 2 (MEG1 / MEG2)	< 6 dB for diversity operation	
Maximum antenna gain	Must not exceed antenna gains due to RF exposure and ERP/EIRP limits, as listed in the module's FCC grant.	
Isolation between Antenna 1 and Antenna 2 (S21)	> 10 dB	<ul style="list-style-type: none"> If antennas can be moved, test all positions for both antennas. Unless otherwise specified, this isolation requirement must be maintained for optimum operation. Make sure all other wireless devices (Bluetooth or WLAN antennas, etc.) are turned OFF to avoid interference.

Table 3-36: Antenna Recommendations^{a,b} (Continued)

Parameter	Recommendations	Comments
Maximum voltage applied to antenna	6.3 VDC	
Power handling	> 1 W on all bands	<ul style="list-style-type: none"> Measure power endurance over 4 hours (estimated talk time) using a 2 W CW signal—set the CW test signal frequency to the middle of the PCS Tx band (1880 MHz for PCS). Visually inspect device to ensure there is no damage to the antenna structure and matching components. VSWR/TIS/TRP measurements taken before and after this test must show similar results.

- a. These worst-case VSWR figures for the transmitter bands may not guarantee RSE levels to be within regulatory limits. The device alone meets all regulatory emissions limits when tested into a cabled (conducted) 50 ohm system. With antenna designs with up to 2.5:1 VSWR or worse, the radiated emissions could exceed limits. The antenna system may need to be tuned in order to meet the RSE limits as the complex match between the module and antenna can cause unwanted levels of emissions. Tuning may include antenna pattern changes, phase/delay adjustment, passive component matching. Examples of the application test limits would be included in FCC Part 22, Part 24 and Part 27, test case 4.2.16 for GSM (ETSI EN 301 511), and test case 4.2.2 for WCDMA (ETSI EN 301 908-1), where applicable.
- b. All values are preliminary and subject to change.
- c. Antenna 1—Primary (RF_MAIN), Antenna 2—Secondary (RF_DIV) (Diversity)

3.4 GNSS

The AirPrime WP76XX includes Global Navigation Satellite System (GNSS) capabilities via the QUALCOMM IZat™ Gen8C Engine (formerly gpsOne), capable of operation in assisted and standalone GNSS modes (GPS/Galileo/GLONASS/BeiDou).

3.4.1 GNSS Characteristics

The GNSS implementation supports GPS L1, Galileo E1, BeiDou-B1 and GLONASS L1 FDMA operation.

Note: RF sensitivity values presented in this section are for soldered-down modules. Sensitivity values decrease for modules installed in snap-in sockets, which might prevent the module from meeting 3GPP minimum specifications.

Table 3-37: GNSS Characteristics^a

Parameter	Value	
Sensitivity	Standalone or MS-based tracking sensitivity	-160 dBm
	Cold start acquisition sensitivity	-145 dBm
	MS-assisted acquisition sensitivity	-158 dBm

Table 3-37: GNSS Characteristics^a

Parameter		Value
Accuracy in open sky (1 Hz tracking)		< 2 m CEP-50
Satellite channels available ^b	Acquisition	118
	Simultaneous tracking	40
Support for predicted orbits		Yes
Predicted orbit CEP-50 accuracy		5 m
Standalone Time To First Fix (TTFF)	Hot	1 s
	Warm	29 s
	Cold	32 s
Altitude (max)		18,288 m (60,000 ft)
Velocity (max)		1,852 km/h (1150.8 mph)
Acceleration (max)		20 m/s ²
GNSS message protocols		NMEA

a. All values are preliminary and subject to change.

b. Resources are dynamically assigned and not constellation-specific.

Note: Acquisition/tracking sensitivity performance figures assume open sky with active patch GNSS antenna and a 2.5 dB noise figure.

3.4.2 GNSS Antenna Interface

The GNSS antenna interface is defined in [Table 3-38](#).

Table 3-38: GNSS Antenna Interface Pads

Pad	Name	Direction ^a	Function
37	GND		GNSS Antenna Ground
38	RF_GNSS	Input	GNSS Antenna Interface
39	GND		GNSS Antenna Ground
125	GND		GNSS Antenna Ground
128	GND		GNSS Antenna Ground

a. Signal direction with respect to the module.

3.4.2.1 GNSS Antenna Recommendations

Table 3-39 defines the key characteristics to consider for antenna selection.

Table 3-39: GNSS Standalone Antenna Recommendations^a

Parameter	Recommendations	Notes
Frequency range	<ul style="list-style-type: none"> Wide-band GPS, Galileo, GLONASS, and BeiDou: 1559–1606 MHz recommended Narrow-band GPS: 1575.42 MHz ± 2.046 MHz minimum 	
Field of view (FOV)	<ul style="list-style-type: none"> Omni-directional in azimuth -45° to +90° in elevation 	
Polarization (average Gv/Gh)	> 0 dB	Vertical linear polarization is sufficient.
Free space average gain (Gv+Gh) over FOV	> -6 dBi (preferably > -3 dBi)	Gv and Gh are measured and averaged over -45° to +90° in elevation, and ±180° in azimuth.
Gain	<ul style="list-style-type: none"> Maximum gain and uniform coverage in the high elevation angle and zenith. Gain in azimuth plane is not desired. 	
Average 3D gain	> -5 dBi	
Isolation between GNSS and RF Antenna	> 10 dB in all uplink bands	
Typical VSWR	< 2.5:1	
Polarization	Any other than LHCP (left-hand circular polarized) is acceptable.	Type of antenna and polarization (RHCP/linear) to be implemented is a matter of consideration based on specific end application.
Maximum voltage applied to antenna	6.3 VDC	
700 MHz harmonic ^b	< -56 dBm (input jammer 787.76 MHz at -25 dBm and measure the harmonic tone at 1575.42 MHz)	This specification is for B13 and B14 coexistence.
IIP2 ^b	> 45 dBm (Input jammers at 824.6 MHz with level -25 dBm and 2400 MHz with level -32 dBm and measure output IM2 at 1575.4 MHz)	Out of band
IIP3 ^b	> 2 dBm (Input jammers at 1712.7 MHz with level -20 dBm and 1850 MHz with level -65 dBm and measure output IM3 at 1575.4 MHz)	Out of band
Input 1 dB power compression point ^b	> -10 dBm	
Out of band rejection for an active antenna		
777–798 MHz	> 50 dB	
814–915 MHz	> 40 dB	50 dB is preferred

Table 3-39: GNSS Standalone Antenna Recommendations^a (Continued)

Parameter	Recommendations	Notes
925–960 MHz	> 30 dB	50 dB is preferred
1427–1463 MHz	> 35 dB	
1710–1785 MHz	> 35 dB	
1850–1980 MHz	> 40 dB	
2010–2025 MHz	> 40 dB	
2305–2315 MHz	> 40 dB	
2401–2483 MHz	> 40 dB	
2500–2570 MHz	> 35 dB	

a. All values are preliminary and subject to change.

b. For the LNA used by an active antenna

3.5 Electrical Specifications

This section provides details of the key electrical specifications of the AirPrime WP76XX embedded module.

3.5.1 Absolute Maximum Ratings

This section defines the absolute maximum ratings of the AirPrime WP76XX.

Warning: *If these parameters are exceeded, even momentarily, damage may occur to the device. In addition, extended application of Absolute Maximum Rating conditions to the device may reduce device reliability.*

Note: Operation above the maximum specified operating voltage (see [Table 3-3 on page 41](#)) is not recommended, and specified typical performance or functional operation of the device is neither implied nor guaranteed.

Table 3-40: Absolute Maximum Ratings

Parameter		Min	Typ	Max	Units
Power supply voltages					
VBAT_BB	Power Supply Input	0	-	6.0	V
VBAT_RF	Power Supply Input	0	-	5.5	V
VDD_Px (low-voltage (1.2V) operation)	Digital pad circuits	-0.5	-	1.44	V
VDD_Px (low-voltage (1.8V) operation)	Digital pad circuits	-0.5	-	2.3	V
VDD_Px (high-voltage (2.85V) operation)	Digital pad circuits	-0.5	-	3.35	V

Table 3-40: Absolute Maximum Ratings (Continued)

Parameter		Min	Typ	Max	Units
USB signal pins					
USB_D+	High-speed USB data plus	-	-	3.6	V
USB_D-	High-speed USB data minus	-	-	3.6	V
USB_VBUS	High-speed USB bus voltage	-	-	5.25	V
Thermal conditions					
TS	Storage temperature	-40		85	°C
TJ	Junction temperature	-	-	130	°C
Maximum voltage applied to antenna interface pins					
VANT	RF_MAIN	-		6.3	Vdc
	RF_DIV	-		6.3	Vdc
	RF_GNSS	-		6.3	Vdc
ESD ratings					
See EMC and ESD Recommendations on page 112.					

3.5.2 Digital I/O Characteristics

The I/O characteristics for supported digital interfaces are described in:

- [Table 3-41](#)—HSIC signals
- [Table 3-42](#)—GPIOs (except GPIO8), UART, ANT_CNTL, TX_ON, and PCM/I²S signals
- [Table 3-43](#)—GPIO8
- [Table 3-44](#)—SDIO and UIM signals

Table 3-41: Digital I/O Characteristics ($V_{DD_PX} = 1.20$ V (nominal))

Parameter		Comments	Min	Max	Units
V_{IH}	High level input voltage	CMOS/Schmitt	$0.65 \times V_{DD_PX}$	-	V
V_{IL}	Low level input voltage	CMOS/Schmitt	-	$0.35 \times V_{DD_PX}$	V
I_{IH}	Input high leakage current ^a	No pull-down	-	2	μ A
I_{IL}	Input low leakage current ^b	No pull-up	-2	-	μ A
V_{OH}	High level output voltage	CMOS, at pin-rated drive strength	$0.75 \times V_{DD_PX}$	-	V
V_{OL}	Low level output voltage	CMOS, at pin-rated drive strength	-	$0.25 \times V_{DD_PX}$	V
I_Z	Tri-state leakage current ^a	No pull, no keeper	-2	2	μ A
R_P	Pull resistance	Pull-up and pull-down	17	60	k Ω

Table 3-41: Digital I/O Characteristics ($V_{DD_PX} = 1.20$ V (nominal)) (Continued)

Parameter		Comments	Min	Max	Units
R_K	Keeper resistance		17	60	$k\Omega$
C_{IN}	Input capacitance ^c		-	5	pF

a. Pin voltage = V_{DD_PX} max.

b. Pin voltage = GND and supply = V_{DD_PX} max.

c. Input capacitance and I/O capacitance values are guaranteed by design, but is not 100% tested.

Table 3-42: Digital I/O Characteristics ($V_{DD_PX} = 1.80$ V (nominal) signals)

Parameter		Comments	Min	Max	Units
V_{IH}	High level input voltage	CMOS/Schmitt	$0.65 \times V_{DD_PX}$		V
V_{IL}	Low level input voltage	CMOS/Schmitt		$0.35 \times V_{DD_PX}$	V
V_{SHYS}	Schmitt hysteresis voltage		100	-	mV
I_{IH}	Input high leakage current ^a	No pull-down	-	1	μA
I_{IL}	Input low leakage current ^b	No pull-up	-1	-	μA
R_P	Pull up/down resistance		55	390	$k\Omega$
V_{OH}	High-level output voltage	CMOS, at pin-rated drive strength	$V_{DD_PX} - 0.45$		V
V_{OL}	Low-level output voltage	CMOS, at pin-rated drive strength		0.45	V
R_K	Keeper resistance		30	150	$k\Omega$
C_{IN}	Input capacitance ^c		-	5	pF
I_{PIN}	Current per pin		-	16	mA

a. Pin voltage = V_{DD_PX} max. For keeper pins, pin voltage = V_{DD_PX} max - 0.45 V.

b. Pin voltage = GND and supply = V_{DD_PX} max. For keeper pins, pin voltage = 0.45 V and supply = V_{DD_PX} max.

c. Input capacitance is guaranteed by design, but is not 100% tested.

Table 3-43: GPIO8 Digital I/O Characteristics ($V_{DD_PX} = 1.80$ V (nominal) signals)

Parameter		Comments	Min	Max	Units
V_{IH}	High level input voltage	CMOS/Schmitt	$0.65 \times V_{DD_PX}$		V
V_{IL}	Low level input voltage	CMOS/Schmitt		$0.35 \times V_{DD_PX}$	V
V_{OH}	High-level output voltage	CMOS, at pin-rated drive strength	$0.8 \times V_{DD_PX}$		V
V_{OL}	Low-level output voltage	CMOS, at pin-rated drive strength		$0.2 \times V_{DD_PX}$	V
R_P	Pull up/down resistance		10	50	$k\Omega$
R_K	Keeper resistance		10	50	$k\Omega$
I_{IH}	Input high leakage current ^a	No pull-down	-	1	μA

Table 3-43: GPIO8 Digital I/O Characteristics ($V_{DD_PX} = 1.80\text{ V}$ (nominal) signals) (Continued)

Parameter		Comments	Min	Max	Units
I_{IL}	Input low leakage current ^b	No pull-up	-1	-	μA
V_{SHYS}	Schmitt hysteresis voltage		165	-	mV

 a. Pin voltage = V_{DD_PX} max.

 b. Pin voltage = GND and supply = V_{DD_PX} max.

Table 3-44: Digital I/O Characteristics (Dual-voltage — $V_{DD_PX} = 1.80\text{ V}$ or 2.85 V (nominal))

Parameter		Comments	Min	Max	Units
Common to dual-voltage pads (1.8 V / 2.85 V)					
R_P	Pull resistance	Pull-up and pull-down	10	100	$k\Omega$
R_K	Keeper resistance		10	100	$k\Omega$
V_{SHYS}	Schmitt hysteresis voltage		100	-	mV
$C_{I/O}$	I/O capacitance		-	5	pF
Common to SDC pad and UIM pad at 2.85 V only					
I_{IH}	Input high leakage current	No pull-down	-	10	μA
I_{IL}	Input low leakage current	No pull-up	-10	-	μA
Common to UIM pads, 1.8V/2.85 V					
V_{IH}	High level input voltage	CMOS/Schmitt	$0.7 \times V_{DD_PX}$	$V_{DD_PX} + 0.3$	V
V_{IL}	Low level input voltage	CMOS/Schmitt	-0.3	$0.2 \times V_{DD_PX}$	V
V_{OH}	High level output voltage	CMOS, at pin-rated drive strength	$0.8 \times V_{DD_PX}$	V_{DD_PX}	V
V_{OL}	Low level output voltage	CMOS, at pin-rated drive strength	0	0.4	V
SDC pads at 2.85 V only					
V_{IH}	High level input voltage	CMOS/Schmitt	$0.625 \times V_{DD_PX}$	$V_{DD_PX} + 0.3$	V
V_{IL}	Low level input voltage	CMOS/Schmitt	-0.3	$0.25 \times V_{DD_PX}$	V
V_{OH}	High level output voltage	CMOS, at pin-rated drive strength	$0.75 \times V_{DD_PX}$	V_{DD_PX}	V
V_{OL}	Low level output voltage	CMOS, at pin-rated drive strength	0	$0.125 \times V_{DD_PX}$	V
Common to SDC pad and UIM pad at 1.8 V only					
I_{IH}	Input high leakage current ^a	No pull-down	-	2	μA
I_{IL}	Input low leakage current ^b	No pull-up	-2	-	μA
SDC pads at 1.8 V only					
V_{IH}	High level input voltage	CMOS/Schmitt	1.27	2	V
V_{IL}	Low level input voltage	CMOS/Schmitt	-0.3	0.58	V

Table 3-44: Digital I/O Characteristics (Dual-voltage— $V_{DD_PX} = 1.80\text{ V}$ or 2.85 V (nominal))

Parameter		Comments	Min	Max	Units
V_{OH}	High level output voltage	CMOS, at pin-rated drive strength	1.4	-	V
V_{OL}	Low level output voltage	CMOS, at pin-rated drive strength	0	0.45	V

a. Pin voltage = V_{DD_Px} max

b. Pin voltage = GND and supply = V_{DD_Px} max

3.5.3 Internal Device Frequencies

Table 3-45 summarizes the frequencies generated within the AirPrime WP76XX. This table is provided for reference only to the device integrator.

Table 3-45: Internal Device Frequencies

Subsystem / Feature	Frequency	Units
Real Time Clock	32.768	kHz
PCM Audio Interface (PCM Master Mode)	<ul style="list-style-type: none"> • 128 • 2048 	kHz
I ² C Interface	100	kHz
PMIC switching power supplies	1.6	MHz
Fundamental clock	19.2	MHz
PLL	<ul style="list-style-type: none"> • PLL0: 800.0000 • PLL1: 614.4000 • PLL2: 480.0000 • PLL3: 600.6000 • PLL4: 576.0000 • PLL5: 691.2000 • PLL6: Varies (1.2 GHz max) 	MHz
SPI	38	MHz
USB	480	Mb/s

3.6 Processing

3.6.1 Application Core

The Application Core is based on a Cortex A7 32-bit RISC architecture core. It has the following main characteristics:

- Up to 1.3 GHz operation
- Cache:
 - L1: Instruction (16 kB) and Data (16 kB)
 - L2: 256 kB

The Application Core supports Legato™, an open source embedded platform built on Linux, which allows the simultaneous safe running of multiple applications.

Refer to [Interfaces Specification on page 79](#) for the list of interfaces supported by this core.

3.6.2 Embedded Memory

The AirPrime WP76XX module includes Flash and RAM embedded memory as detailed in [Table 3-46](#).

Table 3-46: Embedded Memory Details^a

Type	Details	Size
Flash	Total	512 MB
	Reserved for Application processor	256 MB
	Minimum number of write cycles	100,000
RAM	Total	256 MB
	Reserved for Application processor	128 MB

a. Preliminary values, subject to change.

The application processor memory is dedicated to the Legato platform, including:

- Linux kernel
- Root file system
- Application framework
- Customer applications

3.6.3 Recovery Mechanism

The AirPrime WP76xx has the capability to automatically detect and recover from various corruption scenarios (for example, corruption may occur when power is abruptly removed from the module).

Each time the device boots and the file system mounts successfully, a backup of the file system is stored (the device will retain several backups). If a file system corruption is detected, the stored backups are checked and the most recent good backup is automatically restored.

To avoid the potential for memory corruption, make sure to always follow the proper power off procedure before removing power from the module. (Figure 4-1 on page 80 illustrates the signal timing details for powering off the module.)

3.6.4 Secure Boot / Secure Debug

AirPrime WP76xx modules incorporate the following permanently enabled features to enhance device security:

- **Secure Boot**—Ensures only firmware images signed by Sierra Wireless can be loaded and run on WP76xx modules. Specifically, Secure Boot applies to the following firmware components: system boot loader, carrier configuration, and telecom FW.
- **Secure Debug**—Disables debug features such as RAM dump collection and JTAG access to the module.

For additional details, refer to the WP Series Secure Boot and Secure Debug application notes available on source.sierrawireless.com.

3.7 Mechanical Drawing

The AirPrime WP76XX module's LGA footprint is a 239-pad array of copper pads (see [Physical Dimensions and Connection Interface on page 23](#)). The following drawing illustrates the device footprint and dimensions.

Note: Dimensions in Figure 3-6 are preliminary and subject to change.

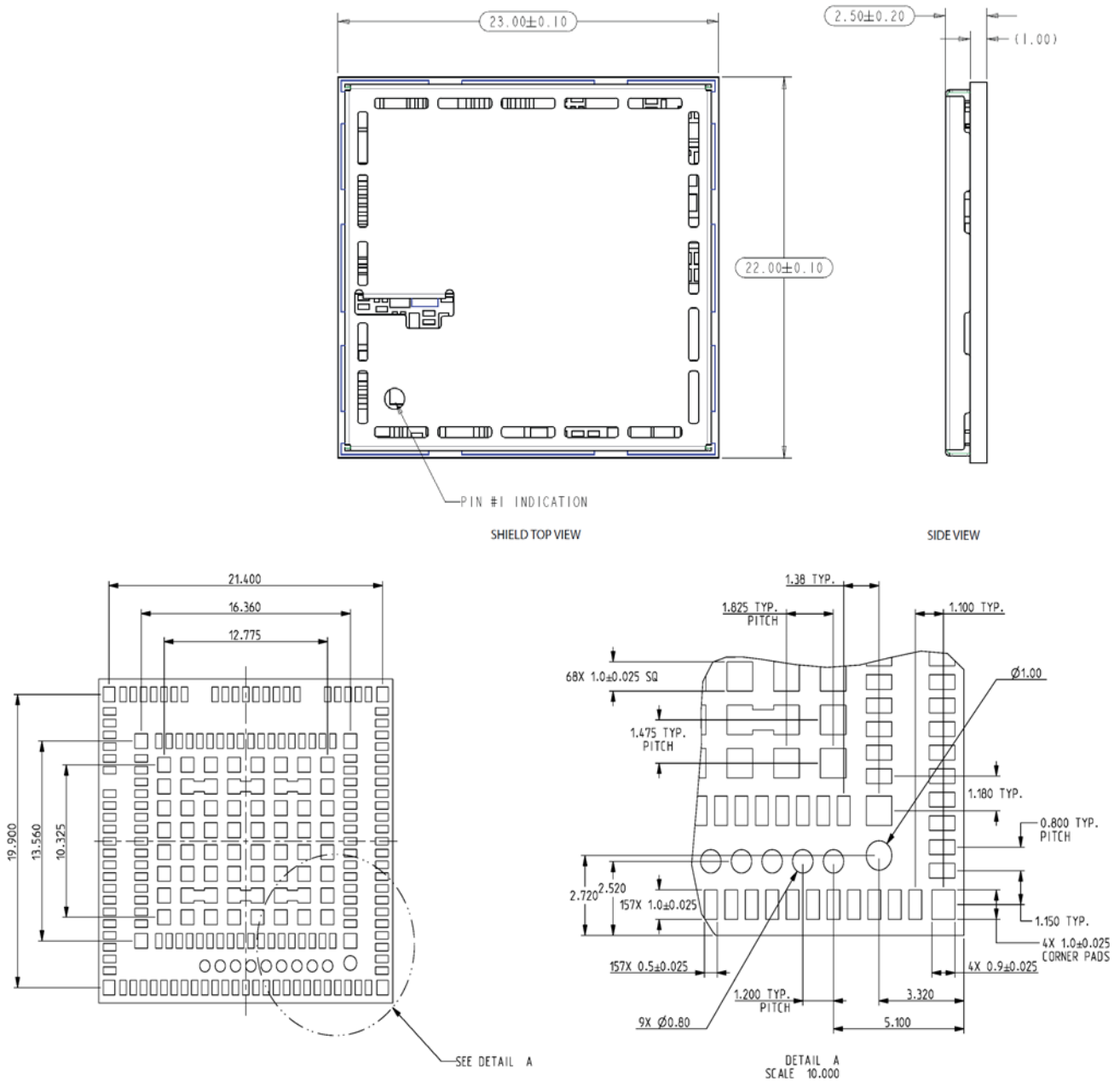


Figure 3-6: AirPrime WP7601/WP7603 Mechanical Drawing

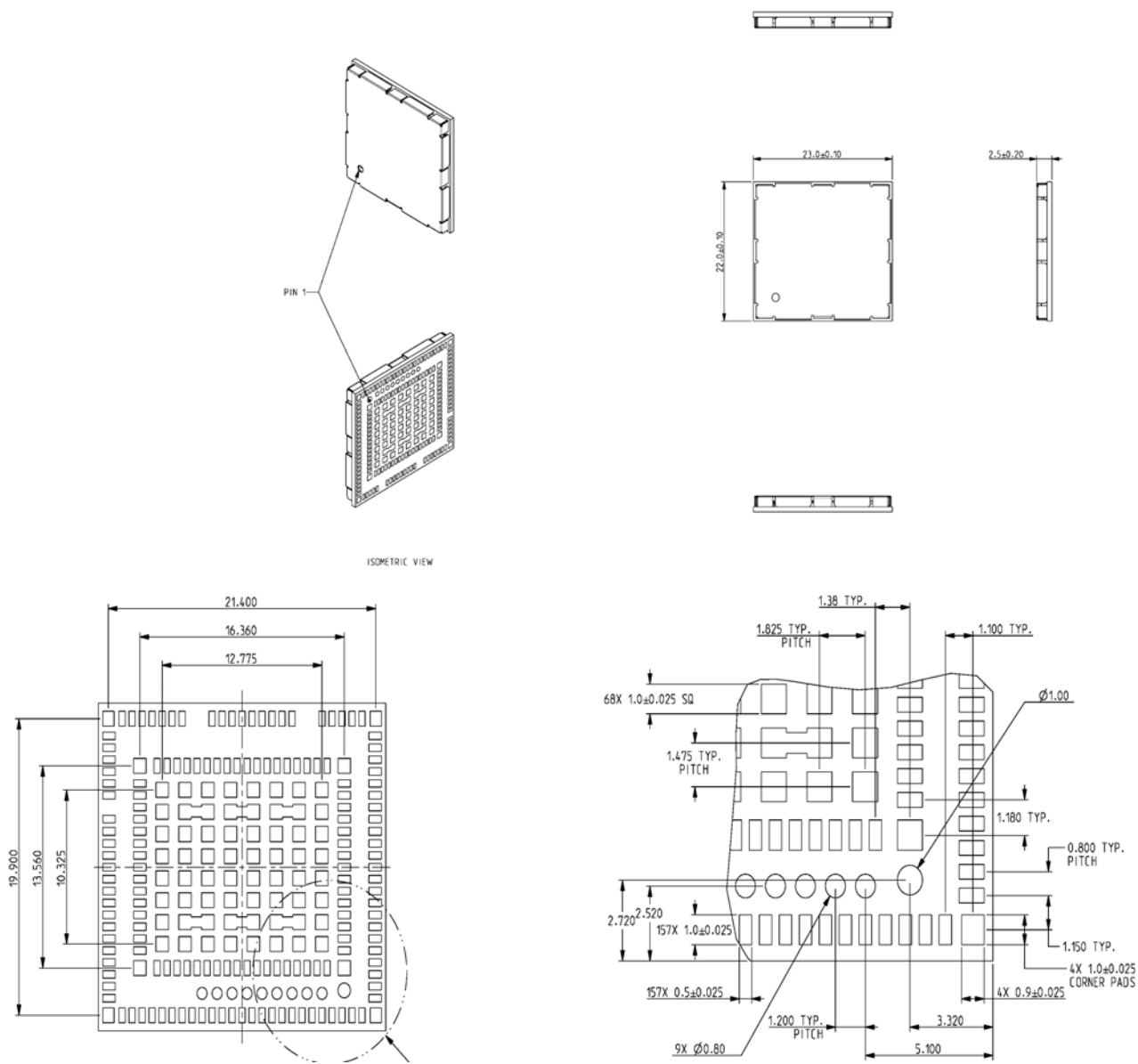


Figure 3-7: AirPrime WP7607/WP7608/WP7609 Mechanical Drawing

3.8 Mechanical Specifications

The following table describes additional mechanical specifications for the AirPrime WP76XX module.

Table 3-47: Mechanical Specifications

Specification	Value	Notes
Clamping force	20 psi	Maximum clamping force on module over entire shield surface.

>> 4: Interfaces Specification

4.1 Overview

This section describes the interfaces supported by the AirPrime WP76XX embedded module and provides specific voltage, timing, and circuit recommendations for each interface.

4.2 POWER_ON_N

The AirPrime WP76XX module requires a low level signal (POWER_ON_N) that is used to switch the module ON.

The signal is connected internally to the permanent 1.8V supply regulator inside the module via a pull-up resistor. Once VBAT_BB is supplied to the module, this 1.8V supply regulator will be enabled and so the POWER_ON_N signal is by default at high level.

Important: Use a momentary switch to control this line to reduce leakage current in ULPM mode. Holding POWER_ON_N low in ULPM mode incurs a significant current draw—see [Table 3-13 on page 56](#) for details.

[Table 4-1](#) describes the POWER_ON_N signal's characteristics.

Table 4-1: POWER_ON_N Electrical Characteristics^{a,b}

Parameter	Min	Typ	Max	Units
Input Voltage—Low	0.35	-	0.67	V
Internal pull-up resistor	150	200	250	k Ω
POWER_ON_N assertion time ^c	200			ms

- a. All values are preliminary and subject to change.
- b. When floating, voltage will be approximately 800 mV.
- c. Assertion time is the time required to keep POWER_ON_N at LOW level to ensure the module can be powered ON successfully.

4.2.1 Power-up Sequence

4.2.1.1 Power On/Off Timing

Figure 4-1 describes the timing sequence for powering the module on and off.

Note: Before reaching the “Active” state, signals on the host port are considered to be undefined and signal transitions may occur. This undefined state also applies when the module is in reset mode, during a firmware update, or during the Power-off sequence. The host must consider these undefined signal activities when designing the module interface.

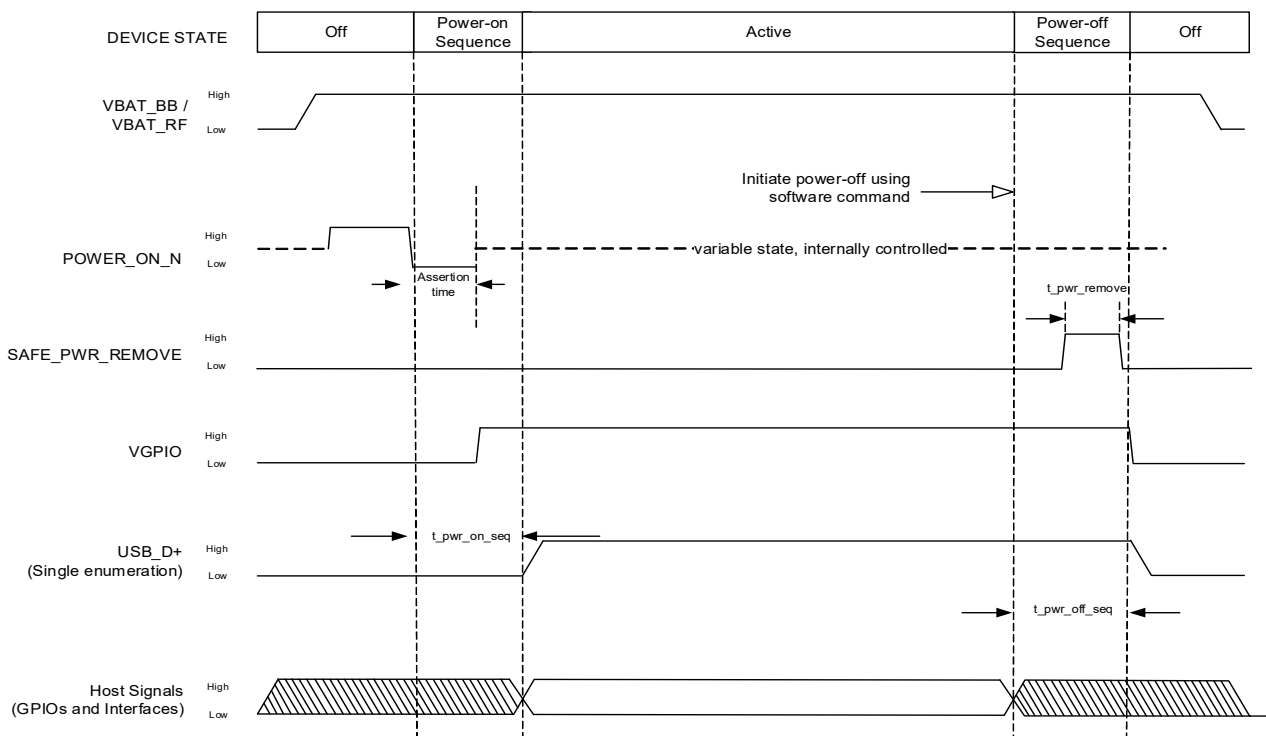


Figure 4-1: Signal Timing (POWER_ON_N, and USB Enumeration)

Table 4-2: POWER_ON_N Timing Parameters

Parameter	Typical	Maximum	Units
t_pwr_on_seq	15	TBC	s
t_pwr_off_seq	0.4–5.5	6	s
t_pwr_remove	13	-	ms

4.2.1.2 USB Enumeration

The unit supports single USB enumeration with the host. Enumeration starts within (maximum) t_pwr_on_seq seconds of power-on.

4.2.2 Software-Initiated Power Down

To power down the module via software:

1. Initiate the power down process:
AT!POWERDOWN
2. Monitor **SAFE_PWR_REMOVE**.
3. When **SAFE_PWR_REMOVE** transitions from low to high, remove power.

4.3 Emergency Power Off

The module can be switched off by controlling the **RESET_IN_N** pin. This must only be used in emergency situations if the system freezes (not responding to commands).

To perform an emergency power off:

1. De-assert **POWER_ON_N**.
2. While **POWER_ON_N** is de-asserted, assert **RESET_IN_N** (logic low) for at least 8 s. This immediately powers down the module.

4.4 **POWER_ON_N**, **RESET_IN_N** and **AT!POWERDOWN** Use Cases

[Table 4-3](#) lists the behavior of the WP76xx depending on **POWER_ON_N**, **RESET_IN_N** and **AT!POWERDOWN** use cases.

Table 4-3: **POWER_ON_N, **RESET_IN_N** and **AT!POWERDOWN** Use Cases**

Use Case		Behavior
POWER_ON_N	VBATT is applied then POWER_ON_N is asserted	Turns ON
	POWER_ON_N is asserted then VBATT is applied	Turns ON
RESET_IN_N	POWER_ON_N is left asserted then RESET_IN_N is asserted	Resets
	POWER_ON_N is de-asserted then RESET_IN_N is asserted	Emergency OFF
AT!POWERDOWN AT Command	POWER_ON_N is asserted then the power OFF command is sent	Turns OFF
	POWER_ON_N is de-asserted then the power OFF command is sent	Turns OFF

4.5 Tx Power Control

The module's Tx power limit may be controlled using the following methods:

- SAR backoff AT commands (see document [1] AirPrime WP8548/WP75xx/WP76xx/WP77xx AT Command Reference):
 - !SARSTATEDFLT — Set (or report) the default SAR backoff state that the device uses when it powers up. This setting is persistent across power cycles and overrides any PRI setting.
 - !SARSTATE — Set (or report) the current SAR backoff state (override the default state). This change in state is non-persistent across power cycles.
 - !SARBACKOFF — Set (or report) the maximum Tx power limit for a specific band / technology / state combination.
- Legato commands:
 - `le_mrc_GetSarBackoffState()` — Get the current SAR Backoff state.
 - `le_mrc_SetSarBackoffState()` — Set the current SAR Backoff state (override the default state). This change is non-persistent across power cycles.
- GPIO control via !SARGPIO command (see [1] AirPrime WP8548/WP75xx/WP76xx/WP77xx AT Command Reference)—Set an unallocated external GPIO to control SAR.

4.6 USB

The AirPrime WP76XX implements a high-speed USB 2.0 Interface, which conforms to the *Universal Serial Bus Specification, Revision 2.0*.

Table 4-4: USB Pin Descriptions

Pin	Signal name	Direction ^a	Function
12	USB_D-	Input/Output	Differential data interface negative
13	USB_D+	Input/Output	Differential data interface positive
16	USB_VBUS	Input	USB supply voltage
91	USB_ID	Input	Used for USB_OTG

a. Signal direction with respect to the module. Example: USB_ID is an input to the module from the host.

4.7 UART

The AirPrime WP76XX provides two UART interfaces:

- UART1 (primary UART)—8-wire interface
- UART2 (secondary UART)—4-wire interface

The UART interfaces are used for data communication between the AirPrime WP76XX module and a PC or host processor. These interfaces comply with the RS-232 interface.

Flow control is managed using the UART2_RTS and UART2_CTS signals.

[Table 4-5 on page 83](#) describes the signals used for UART1 and UART2.

Note: UART signals are named with respect to the host device, and directions are listed with respect to the module. For example, UART1_RX is an output from the module to the host. WIFI coex and 8-wire UART concurrency is not supported.

Table 4-5: UART Pins

Pin	Interface	Name ^a	Direction ^b	Function	If unused	Notes
2	UART1	UART1_RI	Output	Ring Indicator Signal incoming calls (voice and data), SMS, etc.	Leave open	<i>Note: Do not install external pull-up on this pin, otherwise the module will not boot.</i>
3		UART1_RTS	Input	Ready To Send	Leave open	
4		UART1_CTS	Output	Clear To Send	Leave open	
5		UART1_TX	Input	Transmit Data	Leave open	
6		UART1_RX	Output	Receive Data	Leave open	
7		UART1_DTR ^c	Input (active low)	Data terminal ready Prevents the WP76XX from entering USB-SS mode, switches between data mode and command mode, and wakes the module.	Leave open	
8		UART1_DCD	Output	Data Carrier Detect Signal data connection in progress	Leave open	<i>Note: Do not install external pull-up on this pin, otherwise the module will not boot.</i>
9		UART1_DSR	Output	Data Set Ready Signal UART interface is ON	Leave open	<i>Note: Do not install external pull-up on this pin, otherwise the module will not boot.</i>
96		UART2	UART2_TX	Input	Transmit data	Leave open
97	UART2_RX		Output	Receive data	Leave open	
98	UART2_RTS		Input	Ready To Send, flow control	Leave open	
99	UART2_CTS		Output	Clear To Send, flow control	Leave open	

- Signals are named with respect to the host device. For example, UART1_RX is the signal used by the host to receive data from the module.
- Signal direction with respect to the module. For example, UART1_RX is an output from the module to the host.
- Pin is 'wakeable'. Can be used to trigger the module to wake up from USB-SS mode (low power active state). See [Wakeup Interrupt \(Sleep State\) on page 87](#) for details.

4.8 UIM Interface

The AirPrime WP76XX has two physical UIM interfaces:

- UIM1— this interface allows control of external 1.8V/3V UIMs.
- UIM2—this interface is used to control an eSIM on selected variants.

4.8.1 External UIM1 Interface

Table 4-6 describes the signals used for UIM1.

Table 4-6: UIM Interface Pins

Pin	Interface	Name	Direction ^a	Function	If Unused
26	UIM1	UIM1_VCC	Output	Supply output	Leave open
27		UIM1_CLK	Output	Clock	Leave open
28		UIM1_DATA	Input/Output	Data connection	Leave open
29		UIM1_RESET_N	Output	Reset	Leave open
64		UIM1_DET ^b	Input	Detect UIM	Leave open

- Signal direction with respect to the module. Examples: UIM1_DET (pin 64) is an input to the module from the host; UIM1_RESET_N (pin 29) is an output from the module to the host.
- Pin is 'wakeable'. Can be used to trigger the module to wake up from USB-SS mode (low power active state). See [Wakeup Interrupt \(Sleep State\) on page 87](#) for details.

Figure 4-2 illustrates the recommended implementation of a UIM holder. (For a more detailed UIM schematic, see [Figure 5-4 on page 113](#).)

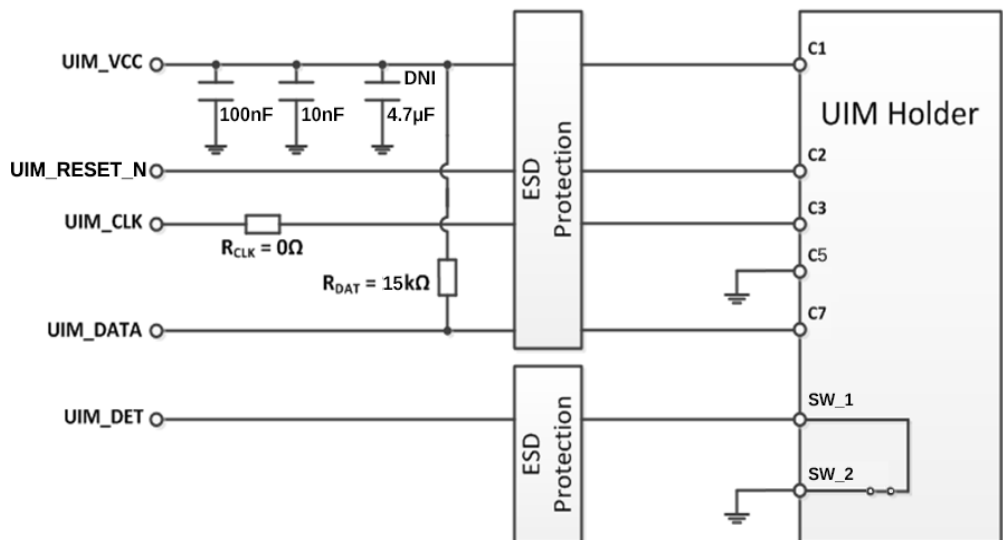


Figure 4-2: Recommended UIM Holder Implementation

The UIM Detect signal (UIM1_DET) is used to detect the physical presence of a UIM card in the UIM holder. The signal has a pull-up internal to the AirPrime WP76XX. It should be set to GND when a UIM is not present. All signals near the UIM holder must be ESD-protected.

The UIM Detect signal transitions:

- When a UIM is inserted—high (logic 0 to logic 1)
- When a UIM is removed—low (logic 1 to logic 0)

The capacitor and the two resistors, RCLK and RDAT, should be added as placeholders to compensate for potential layout issues. UIM_DATA trace should be routed away from the UIM_CLK trace. Keep the distance between the module and the UIM holder as short as possible.

An ESD device specifically designed for UIM cards is recommended for the UIM1 VCC, RESET_N, CLK, and DATA signals (for example, STMicroelectronics DALC208SC6). For UIM1_DET a low leakage ESD suppressor should be selected.

4.8.2 eSIM / UIM2 Interface

When an eSIM is mounted on an AirPrime WP76XX, UIM2 signals are directly connected to the eSIM and are not available externally.

Selection of active SIM between UIM1 (external SIM) and UIM2 (eSIM) is possible using AT commands **AT+UIMS** and **AT+CUSTOM="UIMAUTOSWITCH"**. Refer to document [1] AirPrime WP8548/WP75xx/WP76xx/WP77xx AT Command Reference for more details regarding these commands.

When UIM2 is deselected, the eSIM component is unpowered.

4.9 General Purpose Input/Output (GPIO)

The AirPrime WP76XX defines several GPIOs for customer use, as described in [Table 4-7](#). For electrical specifications, see [Table 3-42 on page 72](#) and [Table 3-43 on page 72](#).

Note: In ULPM, all interfaces connected to GPIOs (see [Table 4-7 on page 85](#)) must be tri-stated or off to prevent additional leakage current during ULPM and potentially damaging the unit by applying a voltage when the GPIOs are off. Similarly, there should not be any voltage applied to the GPIOs when the module is off to prevent damaging the module.

Table 4-7: GPIO Pin Description

Pin	Signal Name	Edge Wakeable	Configurable as Wakeup Trigger for ULPS ^a	Default State	Function	If Unused
10	GPIO2 ^b	Yes	Yes	No pull ^c	General purpose I/O	Leave open
40	GPIO7	Yes				
41	GPIO8					

Table 4-7: GPIO Pin Description (Continued)

Pin	Signal Name	Edge Wakeable	Configurable as Wakeup Trigger for ULPS ^a	Default State	Function	If Unused
44	GPIO13	Yes		No pull ^c	General purpose I/O	Leave open
46	GPIO6 ^d	Yes				
92	GPIO38 ^{b,e}	Yes	Yes			
94	GPIO40 ^e	Yes				
95	GPIO41 ^e	Yes				
101	GPIO35	Yes				
102	GPIO36 ^{b,e}	Yes	Yes			
103	GPIO37 ^e	Yes				
104	GPIO32					
105	GPIO33					
109	GPIO42 ^b	Yes	Yes			
147	GPIO21 ^b	Yes				
148	GPIO22	Yes				
149	GPIO23					
150	GPIO24	Yes				
153	GPIO28 ^f					
154	GPIO29 ^f					
155	GPIO30 ^f					
156	GPIO31 ^f					
159	GPIO25					

a. See [Power Consumption States on page 43](#) and [Wakeup Events \(ULPS\) on page 88](#) for details.

b. Pin is 'wakeable'. Can be used to trigger the module to wake up from USB-SS mode (low power active state). See [Wakeup Interrupt \(Sleep State\) on page 87](#) for details.

c. Internal configuration of all GPIOs—no internal pull-ups.

d. See [GPIO6 on page 87](#)

e. Accessible via sysfs/Legato only.

f. This pin is available for use when configured using AT+WIOCFG.

4.10 GPIO6

GPIO6 can be used for three different functions as described below. Refer to [1] AirPrime WP8548/WP75xx/WP76xx/WP77xx AT Command Reference for AT command details to configure GPIO6.

4.10.1 General Purpose Input / Output

To configure this pin as a GPIO:

1. Disable external SIM switch feature using **AT!CUSTOM="EXTUIMSWITCHEN",0**.
2. Configure GPIO6 using **AT+WIOCFG=6,4**.
3. Reboot the module.

4.10.2 SIM Switching

To use this pin for fast SIM switching, enable the feature using **AT!CUSTOM="EXTUIMSWITCHEN",1**.

4.10.3 Reset Out

This pin can be used to provide a signal that will hold peripheral devices (such as a USB hub, I²C device, etc.) in reset until the power-up sequence is complete.

To configure this pin as Reset:

1. Disable external SIM switch feature using **AT!CUSTOM="EXTUIMSWITCHEN",0**.
2. Configure GPIO6 using **AT+WIOCFG=6,0**.
3. Reboot the module.

When the module is:

- In reset or powering up—this pin is held low to put peripheral devices in reset. Once the power-on sequence is complete, this pin will be turned high to take the peripherals out of reset.
- In ULPM—this pin will be floating. A default pull-up or pull-down may be necessary depending on the application.

4.11 Wakeup Interrupt (Sleep State)

The following pins can be used to wake the device when it is in Sleep state (low-power state):

- GPIO2
- GPIO21
- GPIO36
- GPIO38
- GPIO42
- UART1_DTR
- UIM1_DET

The GPIO pins can be configured as a wakeup source by using the AT+WIOCFG command (see [1] AirPrime WP8548/WP75xx/WP76xx/WP77xx AT Command Reference).

If the device firmware is monitoring these pins while the device is in USB-SS mode, any transition on these pins will wake the device. (Note: The UIM1_DET pin transitions high when a UIM is installed, and low when a UIM is removed.)

Note: These signals wake the device when it is in Sleep state (a low-power ACTIVE state where the module is fully powered). If the device is in ULPS, it is woken by configured wakeup triggers—see [Table 4.12, Wakeup Events \(ULPS\)](#), on page 88 for details.

4.12 Wakeup Events (ULPS)

The following signals/sources can be used to wake the device from ULPS:

Table 4-8: ULPS Wakeup Signals/Sources

Signal Configuration	Signal
Configurable	Timer
	GPIO2, GPIO36, GPIO38, GPIO42
	ADC2
	ADC3
Always enabled	POWER_ON_N

Note: These signals wake the device only when it is in ULPS. If the device is in Sleep state (a low-power ACTIVE state where the module is fully powered), it can be woken using the signals described in [Wakeup Interrupt \(Sleep State\)](#) on page 87.

For ULPS details, see [Table 3-5, Supported Power States](#), on page 43.

4.13 Secure Digital IO (SDIO) Interface

The AirPrime WP76XX module defines a 1.8 V/2.85 V SDIO interface (SD 2.0-compliant) for customer-defined use with SD cards, connection to a Wi-Fi module, etc.

Note: An external 1.8 V/2.85 V supply is required to supply power to the SD card.

Table 4-9 describes the signals used for SDIO.

Table 4-9: SDIO Pin Descriptions

Pin	Signal Name	Direction ^a	Description	If unused	Voltage level
161	SDIO_CMD	Output	SDIO command	Leave Open	1.8 V/2.85 V
162	SDIO_CLK	Output	SDIO clock	Leave Open	
163	SDIO_DATA_3	Input/Output	SDIO data bit 3	Leave Open	
164	SDIO_DATA_2	Input/Output	SDIO data bit 2	Leave Open	
165	SDIO_DATA_1	Input/Output	SDIO data bit 1	Leave Open	
166	SDIO_DATA_0	Input/Output	SDIO data bit 0	Leave Open	

a. Signal direction with respect to the module. Example: SDIO_CMD (pin 161) is an output from the module to the host.

4.14 I²C Interface

The AirPrime WP76XX module provides one I²C (Inter-Integrated Circuit) dedicated serial port (bus interface) based on [6] I2C Bus Specification, Version 2.1, January 2000.

The interface uses the pins indicated in Table 4-10.

Table 4-10: I²C Interface Pins

Pin	Signal name	Direction	Function	If Unused
1	I2C1_CLK	Input/Output	I ² C Clock	Leave open
66	I2C1_DATA	Input/Output	I ² C Data	Leave open

This implementation of the I²C interface includes the following characteristics:

- Supported voltage—1.8 V
- Standard-mode interface—Data transfer rates up to 100 kbit/s
- Master mode operation only—WP76XX module always operates as the master
- I²C signals are implemented internally as open drain outputs (per the I²C specification) with 2.2 k Ω pull-up resistors to VGPI0 (see Figure 4-3 on page 90).

Note: I²C slave addresses 0x10 and 0x3a are reserved for internal use.

For I²C bus details, including I2C bus waveform and timing details, refer to the I2C Bus Specification.

4.14.1 Application

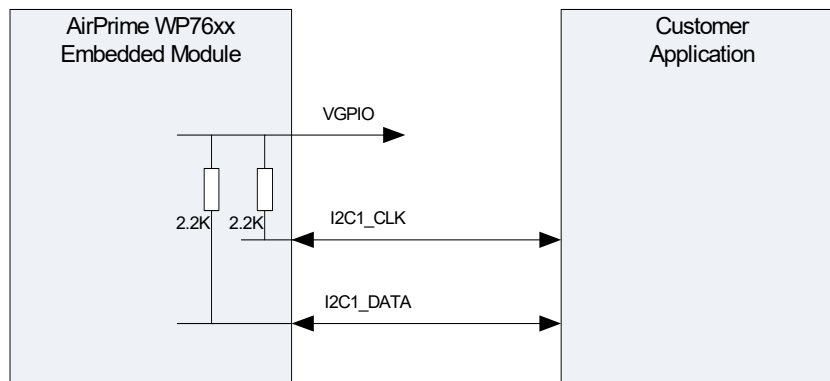


Figure 4-3: Example of I²C Bus Application

4.15 VGPIO

The AirPrime WP76XX utilizes 1.8V logic, provided via the VGPIO (GPIO voltage output) pin.

Table 4-11: VGPIO Reference Pin

Pin	Signal name	Direction ^a	Function	If Unused
45	VGPIO	Output	GPIO voltage output	Leave open

a. Signal direction with respect to the module—VGPIO (pin 45) is an output from the module to the host.

Table 4-12: VGPIO Electrical Characteristics

Parameter	Min	Typ	Max	Unit	Remarks
Voltage level	1.7	1.8	1.9	V	Applies to active mode and USB-SS mode
	-	-	-	V	Off in ULPM
Current capability	-	-	50	mA	Power Management support up to 50 mA output

The VGPIO pin is available when the module is switched ON, and can be used to:

- Pull up signals such as I/Os
- Supply external digital transistors driving LEDs
- Act as a voltage reference for the ADC interfaces—ADC0–ADC3

4.16 Reset Signal (RESET_IN_N)

The AirPrime WP76XX provides an interface to allow an external application to reset the module.

Table 4-13: RESET_IN_N Pin

Pin	Signal name	Direction ^a	Function	If Unused
11	RESET_IN_N	Input	External Reset Input	Leave open

a. Signal direction with respect to the module—RESET_IN_N (pin 11) is an input to the module from the host.

The RESET_IN_N signal is internally pulled-up with an internal resistor. An open collector transistor or equivalent should be used to ground the signal when necessary to reset the module.

To reset the module, a low level pulse must be sent on the RESET_IN_N pin for 32 ms. This will immediately restart the module with the POWER_ON_N signal at low level. (If the POWER_ON_N signal is at high level, the module will be powered off.)

The RESET_IN_N signal will reset the registers of the CPU and reset the RAM memory as well, for the next power on.

Note: Using RESET_IN_N to reset the module could result in memory corruption if used inappropriately. This signal should only be used if the module has become unresponsive and it is not possible to perform a power cycle.

Table 4-14: Reset Timing ^a

Symbol	Parameter	Min	Typ	Max
Trdet	Duration of RESET_IN_N signal before firmware detects it (debounce timer)	-	32 ms	-
Trlen	Duration reset asserted	42 ms	-	∞
Trdel	Delay between minimum Reset duration and internal reset generated	-	500 ms	-

a. All values are preliminary and subject to change

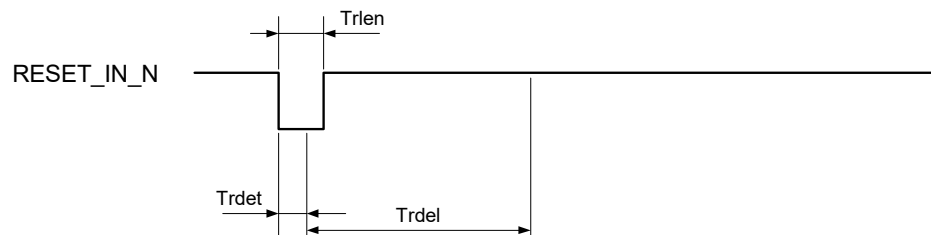


Figure 4-4: Illustration of Reset Timing When RESET_IN_N < Trdel

4.17 ADC

The AirPrime WP76XX provides four general purpose ADC (Analog to Digital Converter) inputs, as described [Table 4-15](#) and [Table 4-16](#).

Table 4-15: ADC Interface Pins

Pin	Signal name	Direction ^a	Function	If Unused
24	ADC1	Input	Analog to Digital Converter	Leave open or Ground
25	ADC0	Input	Analog to Digital Converter	Leave open or Ground
107	ADC2 ^b	Input	Analog to Digital Converter	Leave open or Ground
108	ADC3 ^b	Input	Analog to Digital Converter	Leave open or Ground

- Signal direction with respect to the module. Example: ADC1 (pin 24) is an input to the module from the host.
- Pin is 'wakeable'. Can be used to trigger the module to wake up from ULPM mode. See [Wakeup Events \(ULPS\) on page 88](#) for details.

Table 4-16: ADC Interface Characteristics

	ADC0/ADC1 Value	ADC2/ADC3 Value	Units
Full-scale voltage level	0.1–1.7	0–1.8	V
Resolution	15	12	bit
Sample rate	1.15	20.000–818.330	ksps
Voltage error	8 (Typ) 16 (Max)	2 (Typ)	mV

4.18 Digital Audio

The AirPrime WP76XX provides a 4-wire digital audio interface that can be configured as either PCM (Pulse Code Modulation) or I²S (Inter-IC Sound).

Also, when the interface is configured as PCM, the audio output (PCM_OUT) can be redirected to the USB interface using the standard Legato USB Audio Class—for details, refer to http://legato.io/legato-docs/latest/c_audio.html.

[Table 4-17 on page 93](#) describes the audio interface signals.

Note: Audio availability is firmware-dependent.

Table 4-17: PCM/I²S Interface Signals

Pin	Signal name	Direction ^a	Function	If Unused
33	PCM_OUT	Output	PCM Data Out The frame “data out” relies on the selected configuration mode.	Leave open
	I2S_OUT	Output	I2S Data Out The frame “data out” relies on the selected configuration mode.	
34	PCM_IN	Input	PCM Data In The frame “data in” relies on the selected configuration mode.	Leave open
	I2S_IN	Input	I2S Data In The frame “data in” relies on the selected configuration mode.	
35	PCM_SYNC	Input/Output	PCM Sync The frame synchronization signal delivers an 8 kHz frequency pulse that synchronizes the frame data in and the frame data out.	Leave open
	I2S_WS	Output	I2S Word Select The word select clock indicates which channel is currently being transmitted (low cycle indicates left audio channel, high cycle indicates right audio channel).	
36	PCM_CLK	Input/Output	PCM Clock The frame bit clock signal controls data transfer with the audio peripheral.	Leave open
	I2S_CLK	Output	I2S Clock The frame bit clock signal controls data transfer with the audio peripheral.	

a. Signal direction with respect to the module. Examples: PCM_IN (pin 34) is an input to the module from the host; PCM_OUT (pin 33) is an output from the module to the host.

4.18.1 PCM

[Table 4-18](#) defines the PCM interface configuration.

Table 4-18: PCM Interface Configurations

Element	PCM
Slot configuration	Slot-based
Sync type	Short
Clock (in Master mode)	2.048 MHz
Data formats	16-bit linear, 8-bit A-law, 8-bit mu-law
Mode	Master or Slave

4.18.1.1 PCM Data Format

The PCM data is 8 kHz and 16 bits with the following PDM (Pulse-density modulation) bit format:

- PCM_DIN—SDDD DDDD DDDD DDVV
- PCM_DOUT—SDDD DDDD DDDD DDVV

Where:

- S—Signed bit
- D—Data
- V—Volume padding

4.18.1.2 PCM Timing

The following table and drawings illustrate PCM signals timing when operating in PCM mode.

Table 4-19: PCM Mode Timing^{a,b}

Parameter	Description	Min	Typ	Max	Units
t(sync)	PCM_SYNC cycle time	-	125	-	μs
t(synch)	PCM_SYNC high time	-	488	-	ns
t(syncl)	PCM_SYNC low time	-	124.5	-	μs
t(clk)	PCM_CLK cycle time	-	488	-	ns
t(clkh)	PCM_CLK high time	-	244	-	ns
t(clkl)	PCM_CLK low time	-	244	-	ns
t(susync)	PCM_SYNC setup time high before falling edge of PCM_CLK	-	122	-	ns
t(sudin)	PCM_IN setup time before falling edge of PCM_CLK	60	-	-	ns
t(hdin)	PCM_IN hold time after falling edge of PCM_CLK	10	-	-	ns
t(pdout)	Delay from PCM_CLK rising to PCM_OUT valid	-	-	60	ns
t(zdout)	Delay from PCM_CLK falling to PCM_OUT HIGH-Z	-	160	-	ns

a. Maximum PCM clock rate is 2.048 MHz.
 b. All values are preliminary and subject to change.

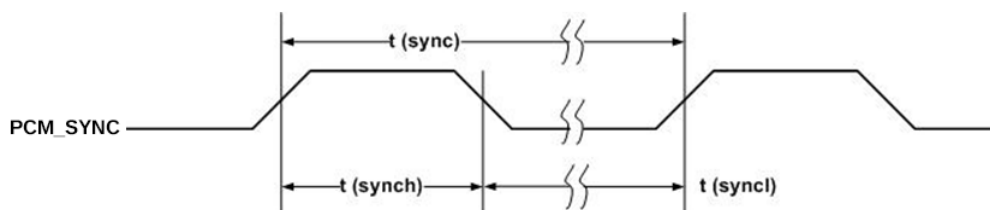


Figure 4-5: PCM_SYNC Timing Diagram (2048 kHz clock)

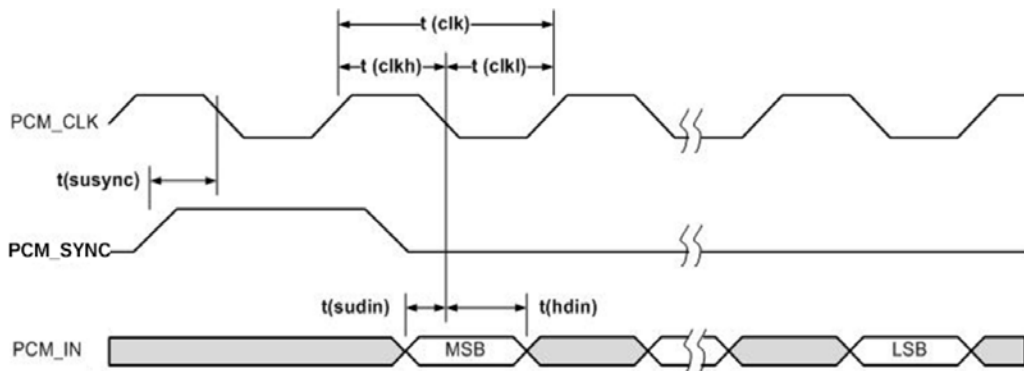


Figure 4-6: PCM Codec to Device Timing Diagram

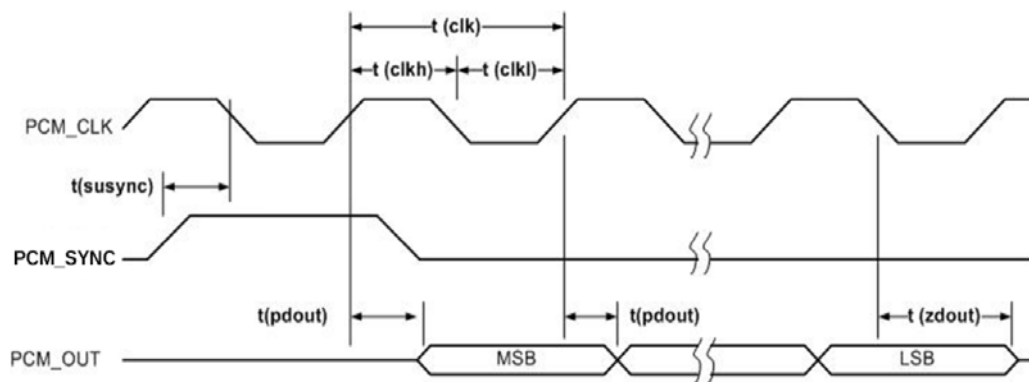


Figure 4-7: Device to PCM Codec Timing Diagram

4.18.2 I²S

The I²S interface can be used to transfer serial digital audio to or from an external stereo DAC/ADC and supports the following features:

- Mode: Master (Slave mode is not supported)
- Sampling rate: 48 kHz
- Bits per frame: 16
- Bit clock: 1536 kHz

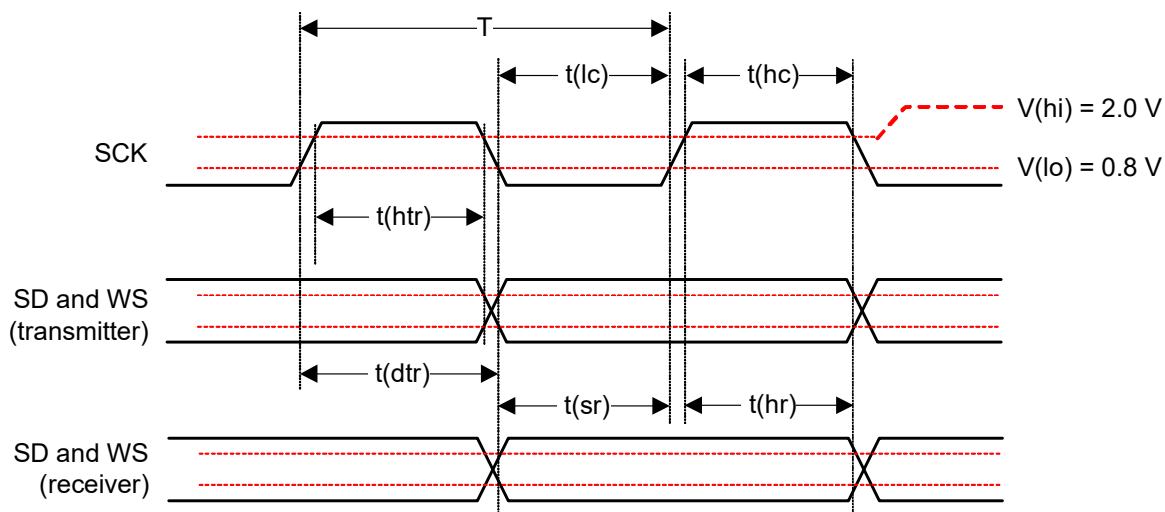


Figure 4-8: I²S Transmitter Timing

Table 4-20: I²S Interface Timing^a

Parameter	Description	Min	Typ	Max	Units
	Frequency	-	-	12.288	MHz
T	Clock period	81.380	-	-	ns
t(hc)	Clock high	0.45×T	-	0.55×T	ns
t(lc)	Clock low	0.45×T	-	0.55×T	ns
t(sr)	SD and WS input setup time	16.276	-	-	ns
t(hr)	SD and WS input hold time	0	-	-	ns
t(dtr)	SD and WS output delay	-	-	65.100	ns
t(htr)	SD and WS output hold time	0	-	-	ns

a. Load capacitance is 10–40 pF

4.19 SPI Bus

The AirPrime WP76XX module provides one 4-wire serial peripheral interfaces (SPI1).

The following features are available on the SPI bus:

- Mode: Master (Slave mode is not supported)
- SPI speed from 960 kbps to 25 Mbps in master mode operation
- 4-wire interface
- 4 to 32 bits data length

Table 4-21 on page 97 describes the SPI interface pins.

Table 4-21: SPI Pin Descriptions

Pin	Signal Name	Direction ^a	Description	Reset State	I/O Type
51	SPI1_MRDY	Output	SPI Master Ready	Z	1V8
52	SPI1_MISO	Input	SPI Master Input/Slave Output (output from slave)	Z	
53	SPI1_CLK	Output	SPI serial clock (output from Master)	Z	
54	SPI1_MOSI	Output	SPI Master Output/Slave Input (output from master)	Z	

a. Signal direction with respect to module. Examples: SPI1_MISO (pin 52) is an input too the module from the host; SPI1_CLK (pin 53) is an output from the module to the host.

4.19.1 SPI Configuration

Table 4-22: SPI Configuration

Operation	Max Speed	SPI-Mode	Duplex	4-wire Type
Master	25 Mb/s	0,1,2,3	Full	<ul style="list-style-type: none"> SCLK (SPI1_CLK) MOSI (SPI1_MOSI) MISO (SPI1_MISO) SS (SPI1_MRDY)

4.19.2 SPI Waveforms

The following figure shows waveforms for SPI transfer using a 4-wire configuration.

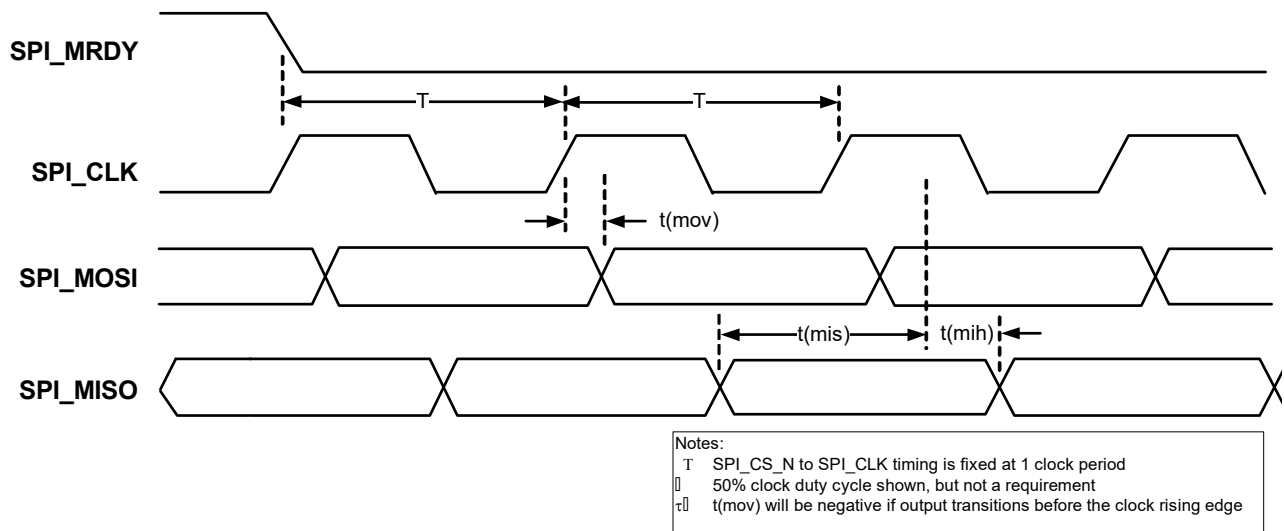


Figure 4-9: 4-Wire Configuration SPI Transfer

Table 4-23: SPI Master Timing Characteristics (@38 MHz)

Parameter		Min	Typ	Max	Unit
SPI clock frequency		-	-	38	MHz
T ^a	SPI clock period	20.0	-	-	ns
t(ch)	Clock high	9.0	-	-	ns
t(cl)	Clock low	9.0	-	-	ns
t(mov)	Master output valid	-5.0	-	-5.0	ns
t(mis)	Master input setup	5.0	-	-	ns
t(mih)	Master input hold	1.0	-	-	ns

a. Minimum clock period includes 1% jitter of the maximum frequency

4.19.3 Application

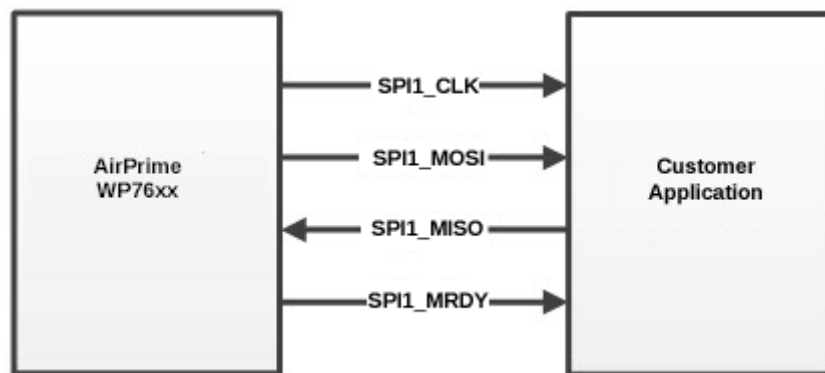


Figure 4-10: Example of 4-wire SPI Bus Application

4.20 HSIC Bus

The AirPrime WP76XX module provides a 2-wire HSIC (High-Speed Inter-Chip) bus.

Important: If the HSIC bus is not used on the host application, a pull-down resistor (20k–50k) should be added to each HSIC line to disable the interface. (Alternatively, the interface can be disabled using the !CUSTOM AT command with the “HSICENABLE” customization. See [1] AirPrime WP8548/WP75xx/WP76xx/WP77xx AT Command Reference for details.)

Table 4-24: HSIC Pin Descriptions

Pin	Signal Name ^a	Direction ^a	Description	Reset State	I/O Voltage
14	HSIC_DATA	I/O	HSIC data	Z	1.2V
15	HSIC_STRB	I/O	HSIC strobe signal	Z	

a. From host view

4.20.1 HSIC Waveforms

Refer to [2] Inter-Chip USB Supplement to the USB 2.0 Specification Revision 1.0.

4.20.2 Application



Figure 4-11: Example of 2-wire HSIC Bus Application

Application notes:

- Trace length < 10 cm
- Skew between data and strobe signals < 15 ps
- HSIC_DATA and HSIC_STRB should maintain a 50Ω impedance routing, and isolation between the lines should be maintained

4.21 Clock

The AirPrime WP76XX module supports two digital clock interfaces that are connected directly from the PMIC.

[Table 4-25](#) describes the clock interface pins.

Table 4-25: Clock Interface Pin Descriptions

Pin	Signal name	I/O	I/O type	Description	If Unused
22	SYS_CLK	Output	1.8V	19.2 MHz digital clock output	Leave open
23	SLEEP_CLK	Output	1.8V	32.768 kHz digital clock output	Leave open

4.22 TP1 (Boot Pin)

The TP1 pin (boot pin) can be used for two primary purposes:

- The pin can be used to force the module to enter boot-loader mode on power-up—Connect the pin to a control mechanism (for example, a button, switch, or jumper) on the host platform, and use this mechanism to assert (drive low) the TP1 pin on power-up. The boot loader monitors the TP1 pin and when it detects a low signal, prevents normal power-up and prepares to download firmware via the DM port.

When the module has restarted and entered boot-loader mode, make sure to de-assert the TP1 pin. When the firmware download finishes, the module reboots automatically and the de-asserted pin allows the module to boot normally.

- If not connected to a control mechanism, at minimum the pin should be connected to a test point on the host platform, for use by Sierra Wireless in RMA debugging.

Note: Firmware downloads also occur using software tools available on source.sierrawireless.com or over the air using an AirVantage server.

Table 4-26: TP1 Pin Description

Pin	Name	Direction	Function	If Unused
47	TP1	Input	Device recovery (boot load)	Mandatory test point

4.23 Temperature Monitoring

The AirPrime WP76XX provides internal temperature monitoring of the module’s baseband thermistor, as detailed below in Figure 4-12 and Table 4-27.

The temperature state can be queried directly, and unsolicited notifications of temperature state transitions can be received by using:

- AT!PATEMP—Display the current temperature state (normal, hi or low warning, hi or low critical).
- AT+WUSLMSK—Enable unsolicited notifications for !PATEMP, to be received over the AT port whenever the state changes.

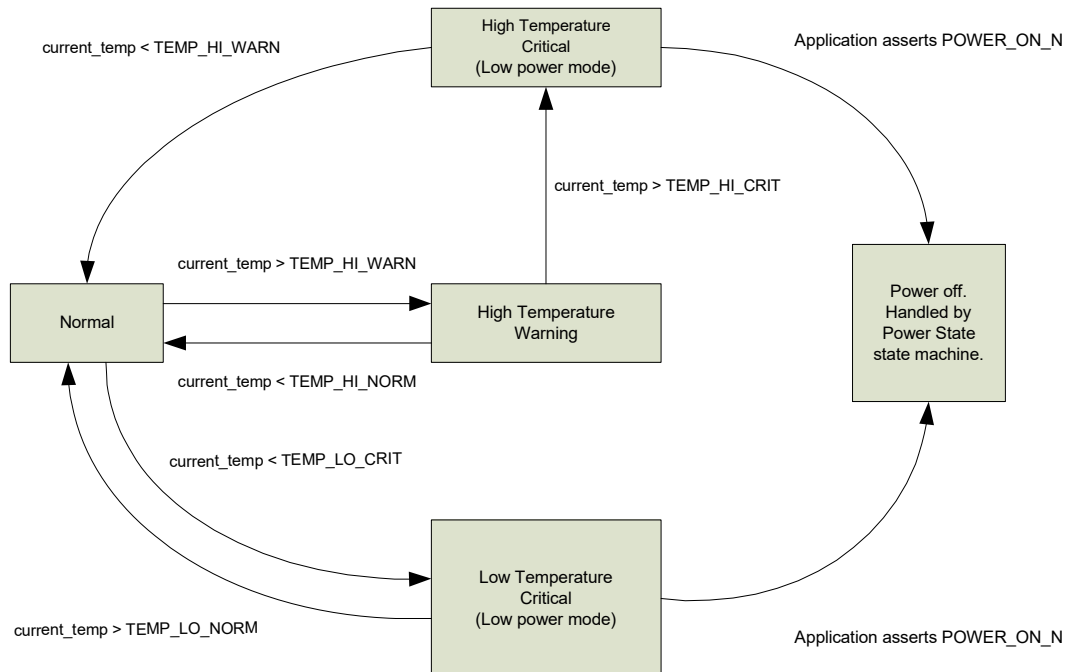


Figure 4-12: Temperature Monitoring State Machine

Table 4-27: Temperature Monitoring States

State	Description	Threshold	Default Temp value (C) ^a	Functionality
Normal	Baseband thermistor is between	TEMP_HI_NORM	+100	Class A
		TEMP_LO_NORM	-40	Class B
High Temperature Warning	Baseband thermistor has exceeded	TEMP_HI_WARN	+110	Class B
High Temperature Critical	Baseband thermistor has exceeded	TEMP_HI_CRIT	+115	Low Power Mode
Low Temperature Critical	Baseband thermistor has descended past	TEMP_LO_CRIT	-45	Low Power Mode

a. Junction (PA thermistor) temperature

To restore full operation, the baseband thermistor's temperature reading must be within the normal or high temperature warning state thresholds.

4.24 Test Pins

Sierra Wireless requires test points on the customer application for Sierra Wireless RMA and debug service.

Table 4-28: Test Pin Descriptions

Pin	Name	Function	If Unused
236	J1	Test point	Mandatory test point
237	J2	Test point	Mandatory test point
238	J3	Test point	Mandatory test point
239	J4	Test point	Mandatory test point
240	J5	Test point	Mandatory test point
241	J6	Test point	Mandatory test point
242	J7	Test point	Mandatory test point
243	J8	Test point	Mandatory test point
244	J9	Test point	Mandatory test point

4.25 Antenna Control

Note: Antenna control signals support is optional.

The AirPrime WP76XX provides four output signals that can be used for host designs that incorporate tunable antennas.

Note: It is the responsibility of developers of host designs to evaluate the performance of tunable antennas that use these signals for neighbor cell measurements, Inter-RAT handovers, etc. Sierra Wireless does not guarantee ANT_CNTLx signal timing.

Note: These pins can be configured for use as GPIOs using +WIOCFG.

Table 4-29: Antenna Control Signals

Pin	Name	Direction ^a	Function	If Unused
153	ANT_CNTL0	Output	Customer-defined external switch control for tunable antennas	Leave open
154	ANT_CNTL1	Output		Leave open
155	ANT_CNTL2	Output		Leave open
156	ANT_CNTL3	Output		Leave open

a. Signal direction with respect to module. Examples: ANT_CNTL0 (pin 153) is an output from the module to the host.

To tune the antenna:

- Enable band selection, which is required to tune the antennas for specific bands:
 - `ATICUSTOM="BANDSELEN",1`

(Note: This setting is persistent unless disabled by issuing `ATICUSTOM="BANDSELEN",0`.)
- Drive the antenna control signals high or low, as required, for a specific band:
 - `AT!ANTSEL=<band>, <gpio1>, <gpio2>, <gpio3>[, <gpio4>]`

See [1] AirPrime WP8548/WP75xx/WP76xx/WP77xx AT Command Reference for details.

(Note: <gpio1>–<gpio4> correspond to ANT_CTRL0–ANTCTRL3.)

4.26 Indication Interfaces

The AirPrime WP76XX module provides several indication interfaces that deliver notifications when specific events occur. These interfaces include:

- [Tx Activity Indicator \(TX_ON\) on page 103](#)
- [WWAN_LED_N on page 103](#)
- [WAKE_ON_WWAN on page 104](#)
- [Ring Indicator on page 105](#)
- [SAFE_PWR_REMOVE on page 105](#)
- [UIM1_DET on page 105](#)

4.26.1 Tx Activity Indicator (TX_ON)

The AirPrime WP76XX module provides a digital output signal to indicate the occurrence of Tx activity.

Table 4-30: Tx Activity Indicator States

Pin	Signal name	Direction ^a	I/O type	Module state	Signal State
60	TX_ON	Output	1.8V	During Tx activity	High
				No Tx	Low

a. Signal direction with respect to module—TX_ON (pin 60) is an output from the module to the host.

Table 4-31: Tx Activity Indicator Characteristics

Parameter	2G	3G	LTE
T _{advance}	50 μs	22 ms	10.5 ms
T _{delay}	60 μs	90 μs	4 ms

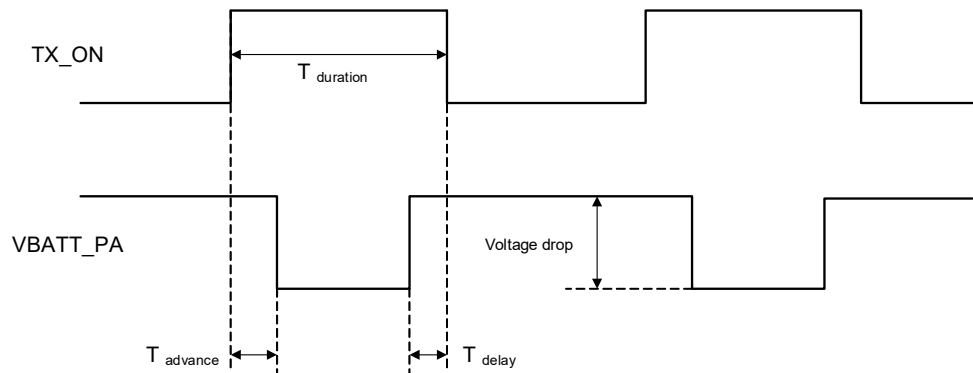


Figure 4-13: TX_ON State During Transmission

4.26.2 WWAN_LED_N

The AirPrime WP76XX provides an LED control output signal pad. This signal is an open drain output.

Table 4-32: LED Interface Pin

Pin	Signal name	Direction ^a	Voltage / Current	Function	If Unused
106	WWAN_LED_N	Output	<ul style="list-style-type: none"> Voltage (max)=VBAT_BB + 0.5 V Maximum current sink capability=40 mA 	LED driver control	Leave open

a. Signal direction with respect to module—WWAN_LED_N (pin 106) is an output from the module to the host.

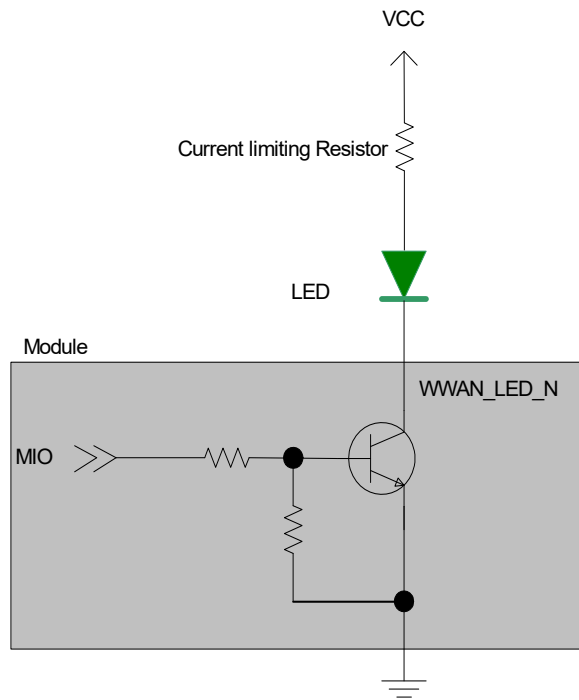


Figure 4-14: LED Reference Circuit

4.26.3 WAKE_ON_WWAN

Note: Host support for WAKE_ON_WWAN signal is optional.

The AirPrime WP76XX drives WAKE_ON_WWAN high to wake the host when specific events occur.

See [Figure 4-15 on page 104](#) for a recommended implementation.

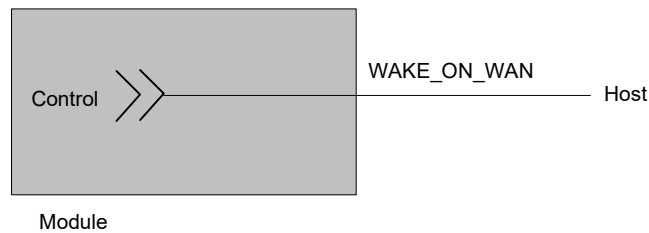


Figure 4-15: Recommended WAKE_ON_WWAN Connection

4.26.4 Ring Indicator

The ring indicator (UART1_RI) may be used to notify an external application of several events such as an incoming call, timer expiration, or incoming SMS. The AirPrime WP76XX pulses the signal high when an event occurs.

Table 4-33: UART1_RI Pin

Pin	Name	Direction ^a	Function	If unused
2	UART1_RI ^b	Output	Ring Indicator Signal incoming calls (voice and data), SMS, etc.	Leave open

- a. Signal direction with respect to the module—UART1_RI (pin 2) is an output from the module to the host.
- b. Do not install an external pull-up on this pin, otherwise the module will not boot.

For additional details, refer to the Legato API documentation at <http://legato.io>.

4.26.5 SAFE_PWR_REMOVE

The SAFE_PWR_REMOVE signal is used by the AirPrime WP76XX to indicate to the host device that VBAT_BB/VBAT_RF can be removed. The signal is driven high when it is safe to remove the power supply.

4.26.6 UIM1_DET

The UIM Detect signal (UIM1_DET) is used to detect the physical presence of a UIM card in the UIM holder. For details, refer to [UIM Interface on page 84](#).

4.27 DR_SYNC

The AirPrime WP76XX provides DR_SYNC, an output used for GPS dead reckoning synchronization.

The module pulses the DR_SYNC signal once every integer GPS second. While position fixes are occurring, the DR_SYNC pulse is aligned precisely with the GPS time. When a position fix cannot be made (for example, when a vehicle has entered a tunnel), the module continues to pulse the DR_SYNC signal every second while the level of uncertainty of the GPS time is low. When the uncertainty level is high, the module stops pulsing the signal.

Table 4-34: DR_SYNC Pin Details

Pin	Signal name	Direction ^a	Function	If Unused
42	DR_SYNC	Output	GPS dead reckoning sync signal	Leave open

- a. Signal direction with respect to the module—DR_SYNC (pin 42) is an output from the module to the host.

4.28 W_DISABLE_N—Wireless Disable

Note: Host support for wireless disable signals is optional.

The host device uses W_DISABLE_N (pin 151) to enable / disable the WWAN or radio modem. When disabled, the modem cannot transmit or receive information.

Letting this signal float high allows the module to operate normally. The pin has an internal pull-up resistor. See [Figure 4-16](#) for a recommended implementation.

When integrating with your host device, keep the following in mind:

- The signal is an input to the module and should be driven LOW only for its active state (controlling the power state); otherwise it should be floating or (High impedance). It should never be driven to a logic high level. The module has an internal pull-up resistor to an internal 1.8V rail, so if the signal is floating or (high impedance), then the radio is on.
- If the host never needs to assert this power state control to the module, leave this signal unconnected from the host interface.

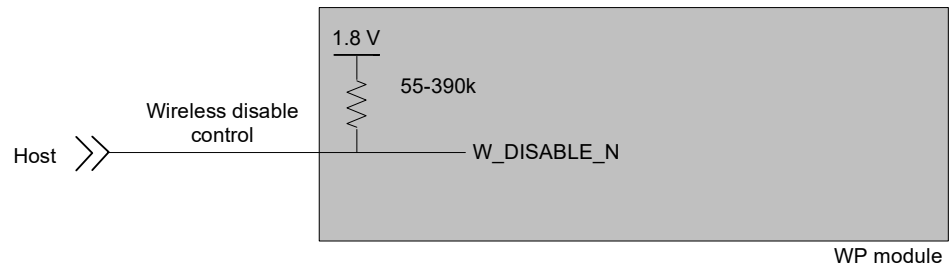


Figure 4-16: Recommended Wireless Disable Connection

>> 5: Routing Constraints and Recommendations

This section describes general routing constraints and recommendations for the AirPrime WP76XX module.

Note: This is a non-exhaustive list of suggested design guidelines. The developer is responsible for deciding whether to implement these guidelines.

5.1 General Rules and Recommendations

Clock and other high-frequency digital signals (e.g. serial buses) should be routed as far as possible from the module's analog signals.

If the application design makes it possible, all analog signals should be separated from digital signals by a ground trace on the PCB.

Tip: Avoid routing any signals under the module on the application board.

5.2 Power Supply

When designing the power supply, make sure that VBAT_BB/VBAT_RF meet the requirements listed in [Power Supply Ratings on page 40](#).

Careful attention should be paid to the following:

- Power supply quality—PFM, or PSM systems should be avoided; Low ripple, linear regulation or PWM converters are preferred for low noise.
- Capacity to deliver high current peaks in a short time (for pulsed radio emission)
- VBAT_BB/VBAT_RF must support peak currents with an acceptable voltage drop that guarantees the minimum required VBAT_BB/VBAT_RF value.
- VBAT_BB/VBAT_RF signal pads must never exceed the maximum required VBAT_BB/VBAT_RF value, otherwise the module's power amplifier and GPS chipset may be severely damaged.
- A weakly-designed (not robust) power supply could affect EMC performance, the emission spectrum, and the phase error and frequency error.

5.3 Antenna

Sierra Wireless strongly recommends working with an antenna manufacturer either to develop an antenna adapted to the application, or to adapt an existing solution to the application.

For information on routing constraints for the RF circuit, see [RF Circuit on page 109](#).

5.4 PCB Specifications for the Application Board

Sensitive signals (such as audio, UIM, and clocks) should be protected by ground planes/fills. Routing sensitive signals close to noisy signals could result in noise being coupled.

5.5 Recommended PCB Land Pattern

Refer to the AirPrime WP76XX Customer Process Guidelines document, available at <http://source.sierrawireless.com>.

5.6 Routing Constraints

5.6.1 Power Supply

If the following design recommendations are not followed, phase error (peak) and power loss could occur.

Note: The recommended power supply capacity (Table 3-3 on page 41) is greater than the maximum peak current to provide an operating margin.

- Since the maximum peak current can reach 2.5 A, Sierra Wireless strongly recommends having a large width for the layout of the power supply signal (to avoid voltage loss between the external power supply and VBAT_BB/VBAT_RF).

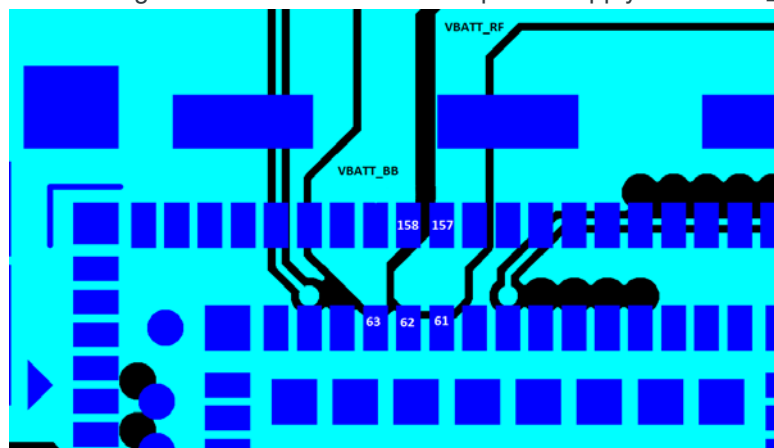


Figure 5-1: Power Supply Routing Example

Note: Figure 5-1 shows separate traces for VBAT_BB and VBAT_RF. If VBAT_BB and VBAT_RF share a single power supply, these traces should be connected.

Note: For optimal decoupling, place the capacitors on the underside of the board, directly under the pins.

- Input capacitors (2×47 μ F) are required close to the module.
- Attention should be paid to the ground trace or the ground plane on the application board for the power supply that supplies the module. The ground trace or ground plane, as well as the VBAT trace, must be able to support current peaks.
- If the ground trace between the module and the power supply is a copper plane, make sure it is a solid plane.
- Design routing to make sure total line impedance does not exceed 10 m Ω @ 217 Hz.

5.6.1.1 Ground Plane Connection

The AirPrime WP76XX module requires a solid, central ground plane (with solder mask defined pads) located directly under the module. This will:

- Ensure high current signal returns
- Provide heat dissipation under higher operating temperatures

The ground plane should be connected (with vias) to the reference ground layer of the application board.

5.6.2 UIM Interface

- Tracks between the AirPrime WP76XX and the UIM socket should be as short as possible. Maximum recommended length is 10 cm.
- ESD protection is mandatory on the UIM lines unless:
 - An eSIM is being used, or
 - There is no physical access to the UIM.
- The decoupling capacitor(s) should be placed as close as possible to the UIM card connector for the UIM1_VCC signal.

5.6.3 RF Circuit

The RF signal must be routed on the application board using tracks with a 50 Ω characteristic impedance.

The characteristic impedance depends on the dielectric, the track width and the ground plane spacing.

It is recommended to use stripline design if the RF path is fairly long (more than 3 cm), since microstrip design is not shielded. Consequently, the RF (transmit) signal may interfere with neighboring electronic circuits. In the same way, the neighboring electronics (micro-controllers, etc.) may interfere with the RF (receive) signal and degrade the reception performance.

The RF trace on the development board is routed from the AirPrime WP76XX antenna port to the RF connector (IPEX MHF-4). The RF trace is designed as a 50 Ω coplanar stripline and its length is 20.7 mm.

The following drawings show the location of the AirPrime WP76XX on the development board, the routing cross-section, and the top view of the RF trace on the development board.

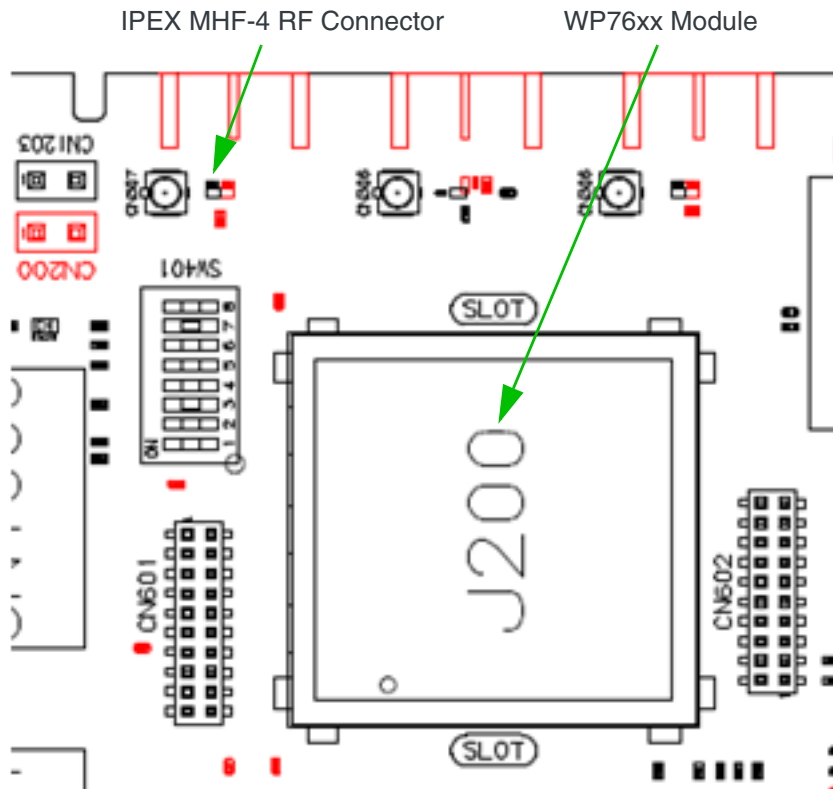


Figure 5-2: Module Location on Development Board

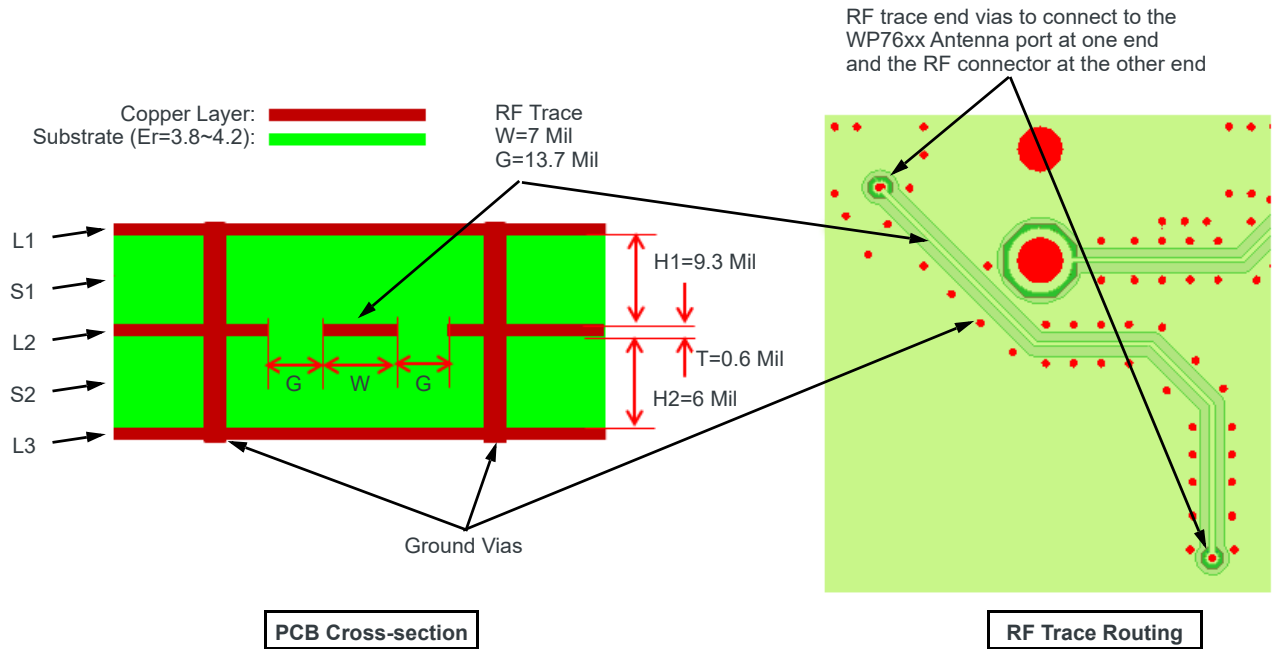


Figure 5-3: Development Board RF Trace Design

5.6.4 USB Interface

When the USB interface is externally accessible, ESD protection is required on the USB_VBUS, USB_D+, and USB_D- signals.

5.7 Thermal Considerations

When transmitting, the AirPrime WP76XX can generate significant amounts of heat (due to the internal Power Amplifier) that must be dissipated in the host device for safety and performance reasons.

The amount of thermal dissipation required depends on the following factors:

- Supply voltage—Maximum power dissipation for these modules can be up to 3 W at voltage supply limits.
- Usage—Typical power dissipation values depend on the location within the host, amount of data transferred, etc.

To enhance heat dissipation:

- Maximize airflow over / around the module
- Locate the module away from other components that generate heat
- Ensure the module is connected to a solid ground plane

5.8 EMC and ESD Recommendations

EMC tests must be performed on the application as soon as possible to detect any potential problems.

When designing, special attention should be paid to:

- Possible spurious emissions radiated by the application to the RF receiver in the receiver band
- ESD protection—Typically, ESD protection is mandatory for externally accessible signals, including:
 - VBAT_RF/VBAT_BB
 - UIM (if accessible from outside)
 - Serial link
 - USB
 - Antennas
- Length of the UIM interface lines (preferably <10 cm)
- Length of the HSIC interface lines (<10 cm, as required by the HSIC specification)
- EMC protection on audio input/output (filters against 900 MHz emissions)
- Ground plane: Sierra Wireless recommends a common ground plane for analog/digital/RF grounds

Note: The AirPrime WP76XX does not include any protection against over-voltage.

The host device must provide adequate ESD protection on digital circuits and antenna ports as detailed in the following table.

Note: The level of protection required depends on your application.

Table 5-1: ESD Specifications ^{a,b}

Category	Connection	Specification
Operational	<ul style="list-style-type: none"> • RF ports • UIM connector • USB connector • UART connector 	IEC-61000-4-2 - Level (Electrostatic Discharge Immunity Test) <ul style="list-style-type: none"> • ± 6kV Contact • ± 8kV Air
Non-operational	Host connector interface	Unless otherwise specified: <ul style="list-style-type: none"> • JESD22-A114 ± 1kV Human Body Model • JESD22-A115 ± 100V Machine Model • JESD22-C101C ± 500V Charged Device Model

a. ESD specifications are preliminary, subject to change.

b. ESD protection is highly recommended at the point where the UIM contacts are exposed, and for any other signals that would be subjected to ESD by the user.

5.9 Mechanical Integration

Attention should be paid to:

- Antenna cable integration (bending, length, position, etc)
- Pads of the AirPrime WP76XX to be soldered to the ground plane
- Ensuring proper board layout
- Providing sufficient space around the module for heat dissipation

5.10 Signal Reference Schematics

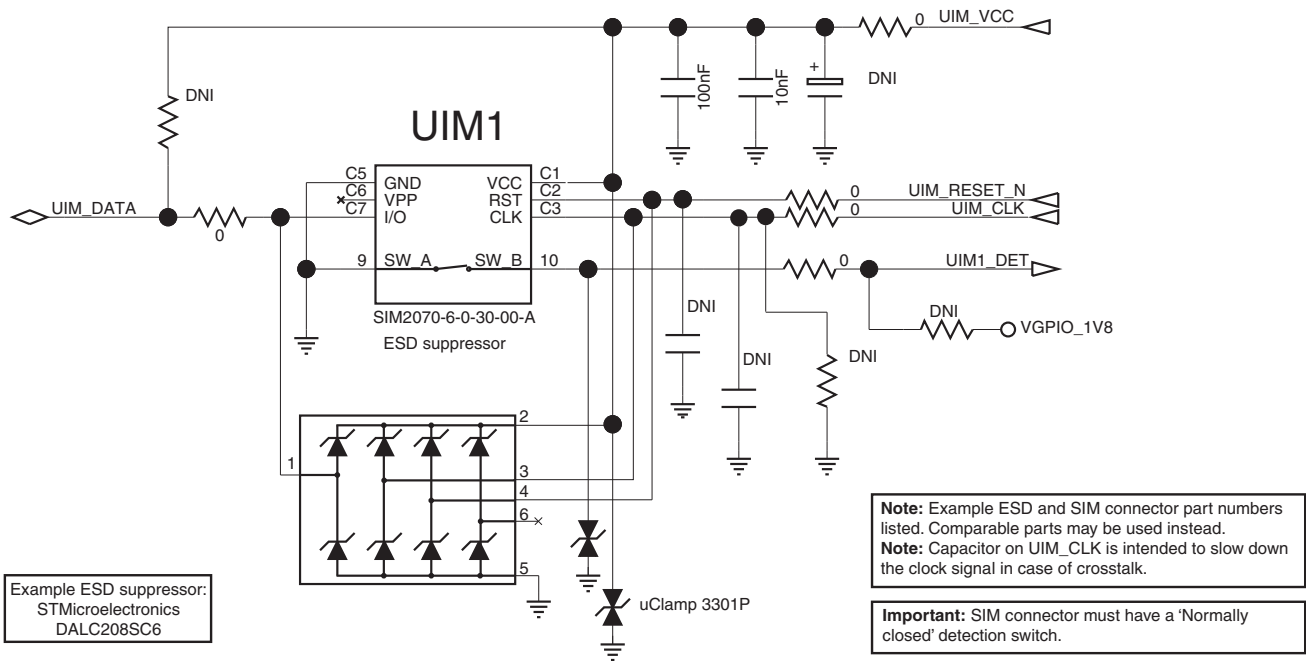


Figure 5-4: UIM Interface

USB Interface

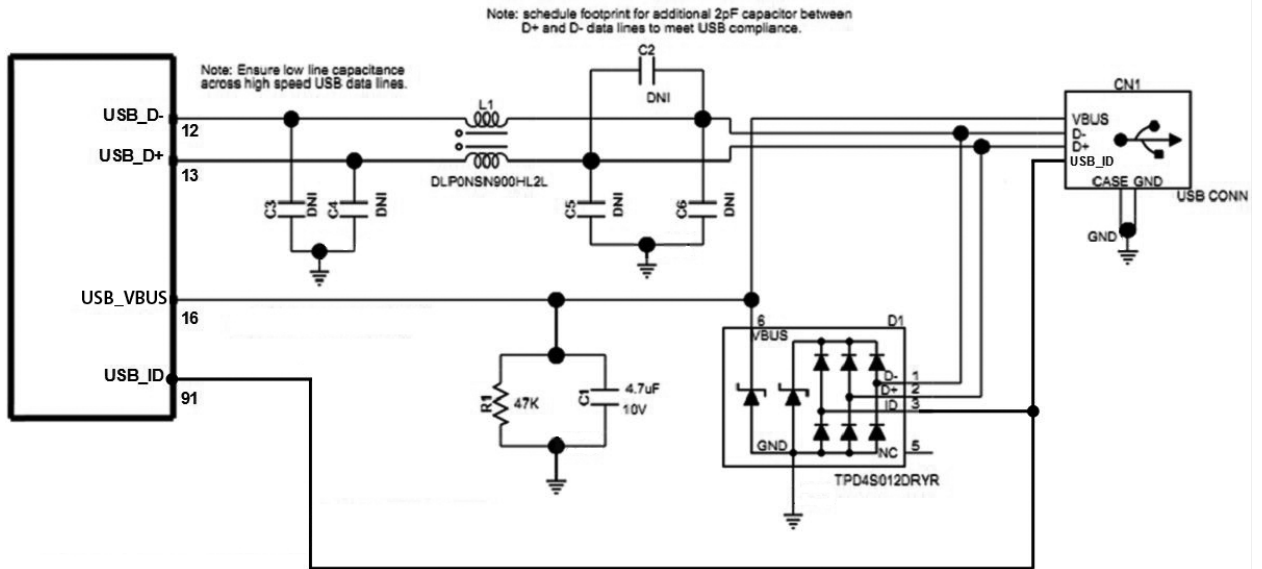


Figure 5-5: USB Interface

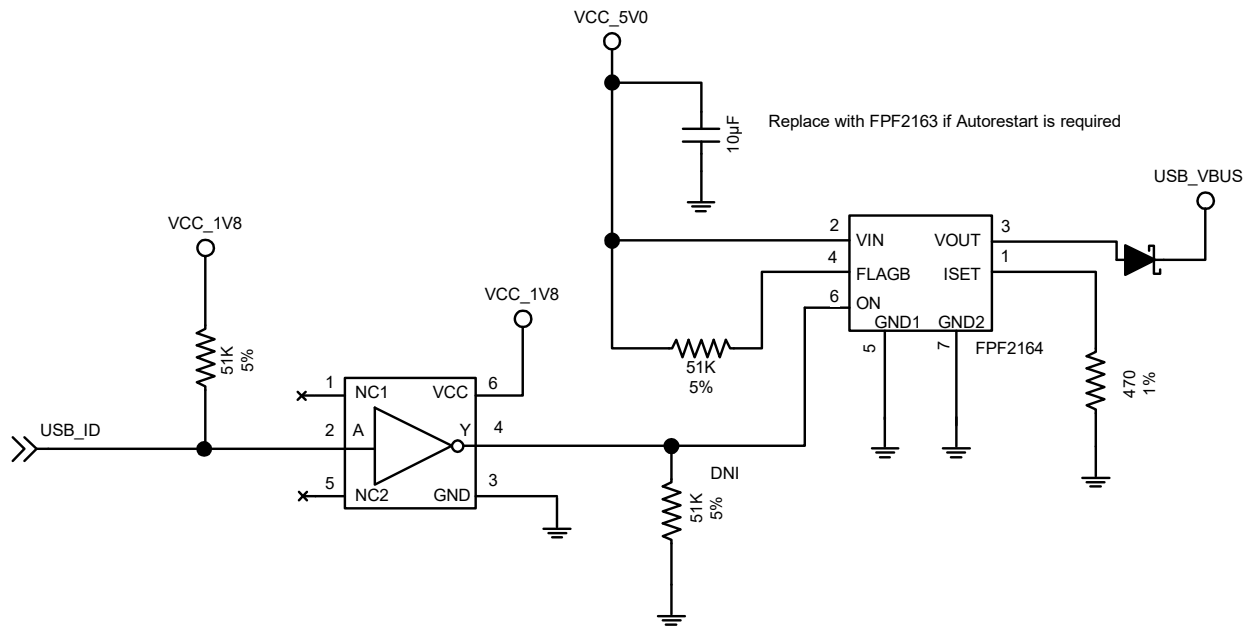


Figure 5-6: USB OTG Interface

>> 6: Software and Tools

6.1 Support Tools

The AirPrime WP76XX is compatible with Sierra Wireless' SwiLogPlus trace tool that allows users to send error logs to Sierra Wireless.

6.2 SED (Smart Error Detection)

The AirPrime WP76XX uses a form of SED to track premature module resets. In such cases, the module automatically forces a pause in boot-and-hold mode at power-on to accept an expected firmware download to resolve the problem.

1. Module tracks consecutive resets within 30 seconds of power-on.
2. After a sixth consecutive reset, the module waits in boot-and-hold mode (up to 30 seconds) for a firmware download to resolve the power-cycle problem.

A RAM dump tool that can be used to help isolate the cause of premature resets is available from Sierra Wireless. Contact your Sierra Wireless account representative for assistance.

6.3 Firmware Upgrade

Firmware upgrades are downloaded to the embedded module over the USB interface or over the air via Sierra Wireless' AVMS (AirVantage Management System). Contact your Sierra Wireless account representative for assistance.

6.4 Operating System Upgrade

The AirPrime WP76XX module's operating system is stored in flash memory and can be easily upgraded.

Tip: *To follow regular changes in the 3GPP standard and to offer a state-of-the-art operating system, Sierra Wireless recommends that the application designed around an embedded module (or embedded module based product) should allow easy operating system upgrades on the embedded module via the recommended firmware download protocol. Therefore, the application shall either allow a direct access to the embedded module USB interface through an external connector or implement any mechanism allowing the embedded module operating system to be downloaded.*

6.5 Product Marking

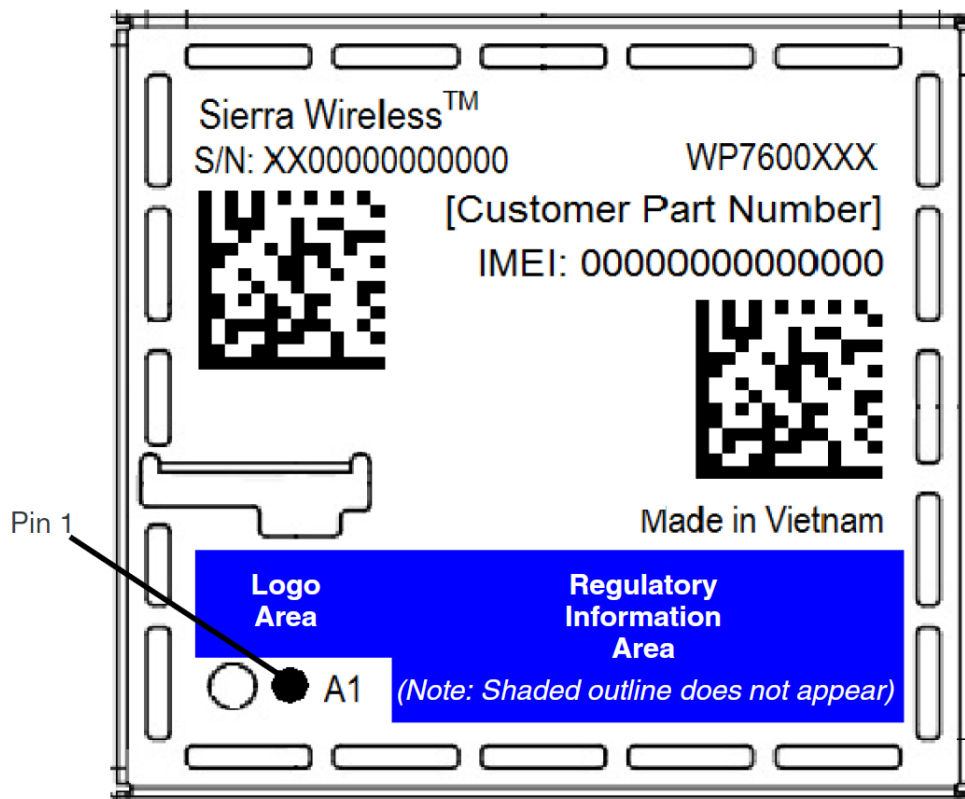


Figure 6-1: Unit Product Marking—Laser-etched, Typical Representation

Note: The figure above is not to scale. Contents will vary by SKU.

The AirPrime WP76XX product marking is laser-etched and may contain:

- Product identification (Model name, serial number)
- IMEI or MEID number and barcode
- Fabrication country
- Required regulatory markings (CE logo, Japan approval mark, FCC ID, IC certification number, etc., as appropriate)
- Pin 1 indicator

Note: The AirPrime WP76XX supports OEM partner specific product marking requirements.

>> 7: Debug and Assembly Considerations

7.1 Testing Assistance Provided by Sierra Wireless

Sierra Wireless offers optional professional services based assistance to OEMs with regulatory approvals.

7.2 Integration Requirements

When integrating the AirPrime WP76XX module, the following items must be addressed:

- Mounting—Effect on temperature, shock, and vibration performance
- Power supply—Impact on battery drain and possible RF interference
- Antenna location and type—Impact on RF performance
- Regulatory approvals—As discussed in [Approval on page 126](#)
- Service provisioning—Manufacturing process

Sierra Wireless provides guidelines for successful AirPrime WP76XX module integration with the document suite and offers integration support services as necessary.

7.3 IOT/Operator

Interoperability and Operator/Carrier testing of the finished system is the responsibility of the OEM. The test process will be determined with the chosen network operator(s) and will be dependent upon your business relationship with them, as well as the product's application and sales channel strategy.

Sierra Wireless offers assistance to OEMs with the testing process, if required.

7.4 Module Testing Recommendations

When testing your integration design:

- Test to your worst case operating environment conditions (temperature and voltage)
- Test using worst case operation (transmitter on 100% duty cycle, maximum power)
- Monitor the module's junction temperature using AT!PATEMP. This command polls a thermistor located near the module's power amplifier (typically the hottest spot on the module).

Note: Make sure that your system design provides sufficient cooling for the integrated module. The RF shield temperature should not be exposed to an ambient temperature greater than 85 °C to prevent damage to the module's components.

7.5 Serial Link Access

Direct access to the UART1/UART2 serial link is very useful for:

- Testability operations
- Accessing the module's Linux console for debugging

Refer to the following figure for a level shifter implementation that allows UART1 serial link access. (A UART2 level shifter would use the corresponding UART2 pins—UART2_TX (pin 96), UART2_RX (pin 97), UART2_RTS (pin 98), UART2_CTS (pin 99).)

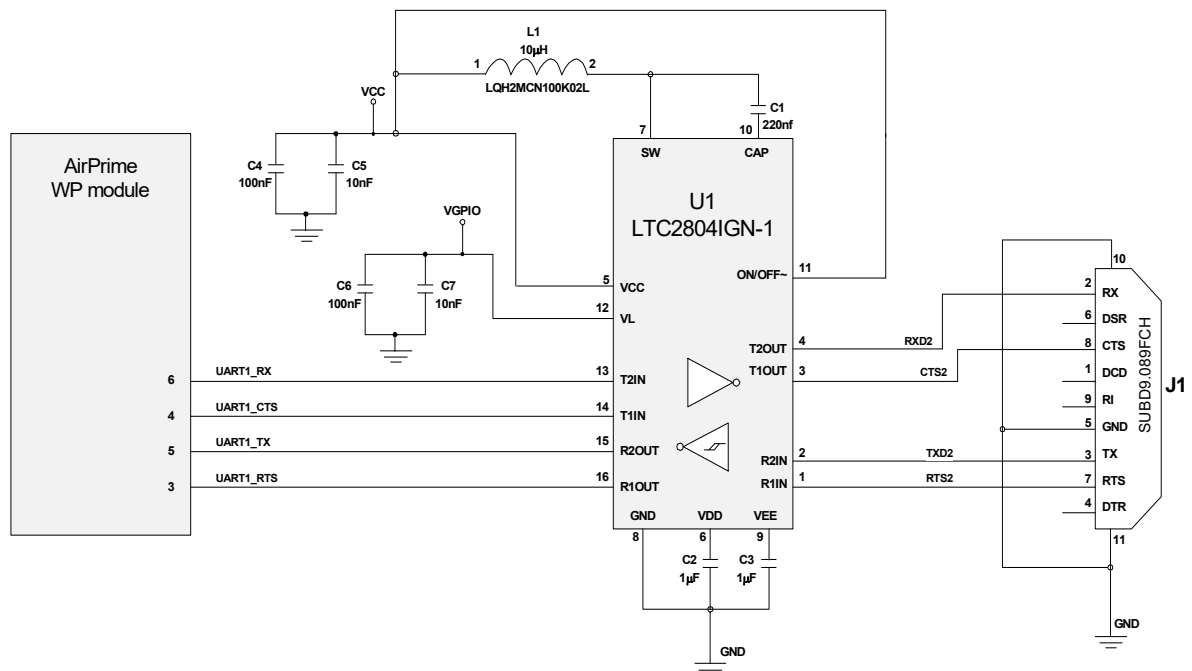


Figure 7-1: Level Shifter Implementation for UART1 Serial Link Access

7.6 RF Output Accessibility

During the integration phase of the AirPrime WP76XX, it can be helpful to connect the module to a simulator to check critical RF TX parameters and power behavior for supported RATs.

Although the AirPrime WP76XX module has been certified, some parameters may have degraded if some basic precautions have not been followed (poor power supply, for example). This may not affect the functionality of the product, but the product may not comply with 3GPP specifications.

The following TX parameters can be checked using a Radio Communication tester:

- Phase & Frequency Error
- Output Power and Burst Time
- Output Spectrum (Modulation and Switching)

The following are available typical Radio Communication testers:

- Rohde & Schwarz: CMU200, CMW500
- Keysight (formerly Agilent): 8960
- Anritsu: MD8475

Because of the high prices associated with Radio Communication testers and the necessary RF know-how to perform simulations, customers can check their applications in the Sierra Wireless laboratories. Contact the Sierra Wireless support team for more information.

>> 8: Reliability Specification

AirPrime WP76XX modules are tested against the Sierra Wireless Industrial Reliability Specification defined below.

8.1 Reliability Compliance

AirPrime WP76XX modules connected on a reliability test board are compliant with the requirements in [Table 8-1](#).

Table 8-1: Standards Conformity


Abbreviation	Definition
IEC	International Electrotechnical Commission
ISO	International Organization for Standardization

8.2 Reliability Prediction Model

8.2.1 Life Stress Test

The following tests the AirPrime WP76XX module's product performance.



Table 8-2: Life Stress Test

Designation	Condition
Performance Test PT3T & PTRT 	Standard: N/A
	Special conditions: <ul style="list-style-type: none"> • Temperature: <ul style="list-style-type: none"> • Class A: -30°C to +70°C • Class B: -40°C to +85°C • Rate of temperature change: 3 ± 0.6°C/min • Recovery time: 3 hours
	Operating conditions: Powered
	Duration: 14 days

8.2.2 Environmental Resistance Stress Tests

The following tests the AirPrime WP76XX module's resistance to extreme temperature.

Table 8-3: Environmental Resistance Stress Tests

Designation	Condition
Cold Test Active COTA 	Standard: IEC 680068-2-1, Test ad
	Special conditions: <ul style="list-style-type: none"> • Temperature: -40°C • Temperature variation: 1°C/min
	Operating conditions: Powered ON with a power cycle of 1 minute ON and 2 minutes OFF
	Duration: 3 days
Resistance to Heat Test RH 	Standard: IEC 680068-2-2, Test Bb
	Special conditions: <ul style="list-style-type: none"> • Temperature: +85°C • Temperature variation: 1°C/min
	Operating conditions: Powered ON with a power cycle of 15 minutes ON and 15 minutes OFF
	Duration: 50 days

8.2.3 Corrosive Resistance Stress Tests

The following tests the AirPrime WP76XX module's resistance to corrosive atmosphere.

Table 8-4: Corrosive Resistance Stress Tests

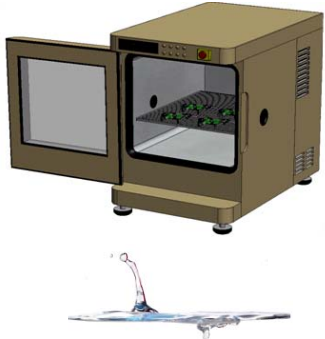

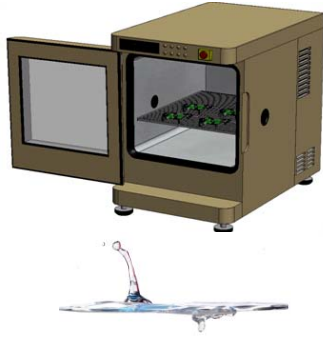
Designation	Condition
Humidity Test HUT 	Standard: IEC 60068-2-3, Test Ca
	Special conditions: <ul style="list-style-type: none"> • Temperature: +65°C • RH: 95% • Temperature variation: 3 ± 0.6°C/min
	Operating conditions: Powered ON with a power cycle of 15 minutes ON and 15 minutes OFF
	Duration: 10 days

Table 8-4: Corrosive Resistance Stress Tests (Continued)

Designation	Condition
Component Solder Wettability CSW 	Standard: JESD22-B102, Method 1/Condition C, Solderability Test Method Special conditions: <ul style="list-style-type: none"> • Test method: Dip and Look Test with Steam preconditioning 8 h ± 15 min. Dip for 5 +0/-0.5 seconds Operating conditions: Unpowered Duration: 1 day
Moist Heat Cyclic Test MHCT 	Standard: IEC 60068-2-30, Test Db Special conditions: <ul style="list-style-type: none"> • Upper temperature: +40 ± 2°C • Lower temperature: +23 ± 5°C • RH: <ul style="list-style-type: none"> • At upper temperature: 93% • At lower temperature: 95% • Number of cycles: 21 (1 cycle/24 hours) • Temperature variation: 3 ± 0.6°C/min Operating conditions: Powered ON for 15 minutes during each 3 hours ramp up and 3 hours ramp down (in middle) for every cycle Duration: 21 days

8.2.4 Thermal Resistance Cycle Stress Tests

The following tests the AirPrime WP76XX module's resistance to extreme temperature cycling.

Table 8-5: Thermal Resistance Cycle Stress Tests



Designation	Condition
Thermal Shock Test TSKT 	Standard: IEC 60068-2-14, Test Na Special conditions: <ul style="list-style-type: none"> • Temperature: -30°C to +80°C • Temperature variation: 6–30 s • Number of cycles: 600 • Dwell time: 10 minutes Operating conditions: Unpowered Duration: 9 days

Table 8-5: Thermal Resistance Cycle Stress Tests (Continued)

Designation	Condition
Temperature Change TCH 	Standard: IEC 60068-2-14, Test Nb
	Special conditions: Temperature: -40°C to +90°C Temperature variation: $3 \pm 0.6^\circ\text{C}/\text{min}$ Number of cycles: 400 Dwell time: 10 minutes
	Operating conditions: Unpowered
	Duration: 29 days

8.2.5 Mechanical Resistance Stress Tests

The following tests the AirPrime WP76XX module's resistance to vibrations and mechanical shocks.

Table 8-6: Mechanical Resistance Stress Tests

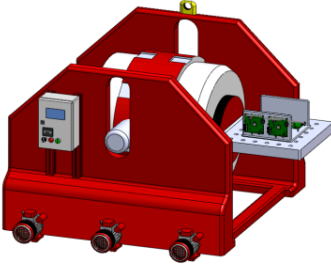
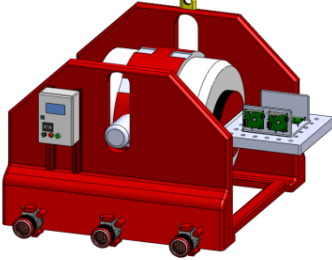
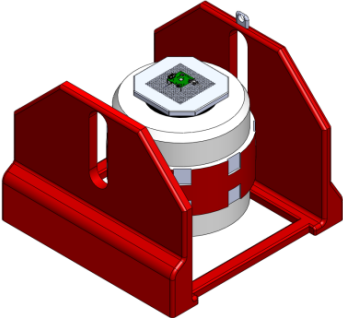
Designation	Condition
Sinusoidal Vibration Test SVT 	Standard: IEC 60068-2-6, Test Fc
	Special conditions: <ul style="list-style-type: none"> • Frequency range: 16 Hz to 1000 Hz • Displacement: 0.35 mm (peak-peak) • Acceleration: <ul style="list-style-type: none"> • 5 g from 16 to 62 Hz • 3 g from 62 to 200 Hz • 1 g from 200 to 1000 Hz • Sweep rate: 1 octave/minute • Number of sweeps: 20 sweeps/axis • Sweep direction: $\pm X, \pm Y, \pm Z$
	Operating conditions: Unpowered
	Duration: 2 days

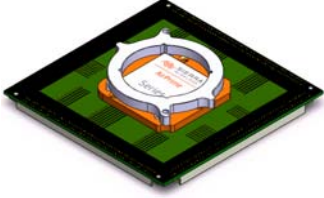

Table 8-6: Mechanical Resistance Stress Tests (Continued)

Designation	Condition
<p>Random Vibration Test RVT</p> 	<p>Standard: IEC 60068-2-64, Test Fh</p> <p>Special conditions:</p> <ul style="list-style-type: none"> • Frequency range: 10 Hz to 2000 Hz • Power Spectral Density in $[(m/s^2)^2/Hz]$ <ul style="list-style-type: none"> • 0.1 g^2/Hz at 10 Hz • 0.01 g^2/Hz at 250 Hz • 0.005 g^2/Hz at 1000 Hz • 0.005 g^2/Hz at 2000 Hz • Peak factor: 3 • Duration per axis: 1 hr/axis <p>Operating conditions: Unpowered</p> <p>Duration: 1 day</p>
<p>Mechanical Shock Test MST</p> 	<p>Standard: IEC 60068-2-27, Test Ea</p> <p>Special conditions:</p> <ul style="list-style-type: none"> • Shock Test 1: <ul style="list-style-type: none"> • Wave form: Half sine • Peak acceleration: 30 g • Duration: 11 ms • Number of shocks: 8 • Direction: $\pm X, \pm Y, \pm Z$ • Shock Test 2: <ul style="list-style-type: none"> • Wave form: Half sine • Peak acceleration: 100 g • Duration: 6 ms • Number of shocks: 3 • Direction: $\pm X, \pm Y, \pm Z$ <p>Operating conditions: Unpowered</p> <p>Duration: 72 hours</p>

8.2.6 Handling Resistance Stress Tests

The following tests the AirPrime WP76XX module's resistance to handling malfunctions and damage.

Table 8-7: Handling Resistance Stress Tests

Designation	Condition
ESDC Test 	Standard: JESD22-A114, JESD22-A115, JESD22-C101
	Special conditions: <ul style="list-style-type: none"> • HBM (Human Body Model): 1 KV (Class 1C) • MM (Machine Model): 100 V • CDM (Charged Device Model): 500 V (Class IV)
	Operating conditions: Powered
	Duration: 3 days
Free Fall Test FFT 1 	Standard: IEC 60068-2-32, Test Ed
	Special conditions: <ul style="list-style-type: none"> • Number of drops: 2 drops per unit • Height: 1 m
	Operating conditions: Unpowered
	Duration: 6 hours

>> 9: Approval

9.1 Disposing of the Product

This electronic product is subject to the EU Directive 2012/19/EU for Waste Electrical and Electronic Equipment (WEEE). As such, this product must not be disposed of at a municipal waste collection point. Please refer to local regulations for directions on how to dispose of this product in an environmental friendly manner.

9.2 Important Notice

Due to the nature of wireless communications, transmission and reception of data can never be guaranteed. Data may be delayed, corrupted (i.e., have errors) or be totally lost. Although significant delays or losses of data are rare when wireless devices such as the Sierra Wireless modem are used in a normal manner with a well-constructed network, the Sierra Wireless modem should not be used in situations where failure to transmit or receive data could result in damage of any kind to the user or any other party, including but not limited to personal injury, death, or loss of property. Sierra Wireless accepts no responsibility for damages of any kind resulting from delays or errors in data transmitted or received using the Sierra Wireless modem, or for failure of the Sierra Wireless modem to transmit or receive such data.

9.3 Safety and Hazards

Do not operate your AirPrime WP76XX embedded module:

- In areas where blasting is in progress
- Where explosive atmospheres may be present including refueling points, fuel depots, and chemical plants
- Near medical equipment, life support equipment, or any equipment which may be susceptible to any form of radio interference.

In such areas, the AirPrime WP76XX modem **MUST BE IN AIRPLANE MODE OR POWERED OFF**. Otherwise, the AirPrime WP76XX modem can transmit signals that could interfere with this equipment.

In an aircraft, the AirPrime WP76XX modem **MUST BE IN AIRPLANE MODE OR POWERED OFF**. Otherwise, the AirPrime WP76XX modem can transmit signals that could interfere with various onboard systems and may be dangerous to the operation of the aircraft or disrupt the cellular network. Use of a cellular phone in an aircraft is illegal in some jurisdictions. Failure to observe this instruction may lead to suspension or denial of cellular telephone services to the offender, or legal action or both.

Some airlines may permit the use of cellular phones while the aircraft is on the ground and the door is open. The AirPrime WP76XX modem may be used normally at this time.

9.4 Compliance Acceptance and Certification

The AirPrime WP7603 is designed to be compliant with the 3GPP Release 8 UTRA and Release 10 E-UTRA Specifications for Mobile Terminated Equipment. The AirPrime WP7601 is designed to be compliant with the 3GPP Release 10 E-UTRA Specification for Mobile Terminated Equipment.

Final regulatory and operator certification requires regulatory agency testing and approval with the fully integrated UE host device incorporating the AirPrime WP76XX module.

The OEM host device and, in particular, the OEM antenna design and implementation will affect the final product functionality, RF performance, and certification test results.

Note: Tests that require features not supported by the AirPrime WP76XX (as defined by this document) are not supported.

9.5 Certification Compliance

9.5.1 Important Compliance Information for North American Users

The AirPrime WP7601/AirPrime WP7603 module, upon commercial release, will have been granted modular approval for mobile applications. Integrators may use the AirPrime WP7601/AirPrime WP7603 module in their final products without additional FCC/IC (Industry Canada) certification if they meet the following conditions. Otherwise, additional FCC/IC approvals must be obtained.

1. The end product must use the RF trace design approved with the AirPrime WP7601/AirPrime WP7603 module. The Gerber file of the trace design can be obtained from Sierra Wireless upon request.
2. At least 20 cm separation distance between the antenna and the user's body must be maintained at all times.
3. To comply with FCC/IC regulations limiting both maximum RF output power and human exposure to RF radiation, the maximum antenna gain including cable loss in a mobile-only exposure condition must not exceed the limits stipulated in [Table 9-1 on page 127](#).

Table 9-1: WP76XX Antenna Gain Specifications

Device	Technology	Band	Frequency (MHz)	Maximum antenna gain (dBi)
AirPrime WP7601	LTE	4	1710–1755	6
		13	777–787	6

Table 9-1: WP76XX Antenna Gain Specifications (Continued)

Device	Technology	Band	Frequency (MHz)	Maximum antenna gain (dBi)
AirPrime WP7603	LTE	2	1850–1910	6
		4	1710–1755	6
		5	824–849	6
		12	699–716	6
	UMTS	2	1850–1910	6
		4	1710–1755	6
		5	824–849	6

4. The AirPrime WP7601/AirPrime WP7603 module may transmit simultaneously with other collocated radio transmitters within a host device, provided the following conditions are met:
- Each collocated radio transmitter has been certified by FCC/IC for mobile application.
 - At least 20 cm separation distance between the antennas of the collocated transmitters and the user's body must be maintained at all times.
 - The radiated power of a collocated transmitter must not exceed the EIRP limit stipulated in [Table 9-2 on page 128](#).

Table 9-2: WP76XX Collocated Radio Transmitter Specifications

Device	Technology	Frequency (MHz)	EIRP Limit (dBm)
Collocated transmitters ^a	WLAN	2400–2500	25
		5150–5850	27
	WiMAX	2300–2400	25
		2500–2700	25
		3300–3800	25
	BT	2400–2500	15

a. Valid collocated transmitter combinations: WLAN+BT; WiMAX+BT.
(WLAN+WiMAX+BT is not permitted.)

5. A label must be affixed to the outside of the end product into which the AirPrime WP7601/AirPrime WP7603 module is incorporated, with a statement similar to the following:
- **(WP7601)— This device contains FCC ID: N7NWP76A/IC:2417C-WP76A.**
 - **(WP7603)— This device contains FCC ID: N7NWP76C/IC:2417C-WP76C.**

6. A user manual with the end product must clearly indicate the operating requirements and conditions that must be observed to ensure compliance with current FCC/IC RF exposure guidelines.

The end product with an embedded AirPrime WP7601/AirPrime WP7603 module may also need to pass the FCC Part 15 unintentional emission testing requirements and be properly authorized per FCC Part 15.

Note: If this module is intended for use in a portable device, you are responsible for separate approval to satisfy the SAR requirements of FCC Part 2.1093 and IC RSS-102.

>> 10: Pinout

The system interface of the AirPrime WP76XX is through the LGA pattern on the bottom of the PCB.

AirPrime WP76XX pins are divided into three functional categories:

- Core functions and associated pins—Cover all the mandatory features for M2M connectivity and will be available by default across all CF3 family of modules. These Core functions are always available and always at the same physical pin locations. A customer platform using only these functions and associated pins is guaranteed to be forward and/or backward compatible with the next generation of CF3 modules.
- Extension functions and associated pins—Bring additional capabilities to the customer. Whenever an Extension function is available on a module, it is always at the same pin location.
- Custom functions and associated pins—These are module-specific and make use of specific chipset functions and I/Os.

Warning: *Custom features should be used with caution as there is no guarantee that the custom functions available on a given module will be available on other CF3 modules.*

Pins marked as "Leave open" or "Reserved" should not be used or connected.

10.1 Pin Configuration

Figure 10-1 illustrates the pin configuration of the AirPrime WP76XX module.

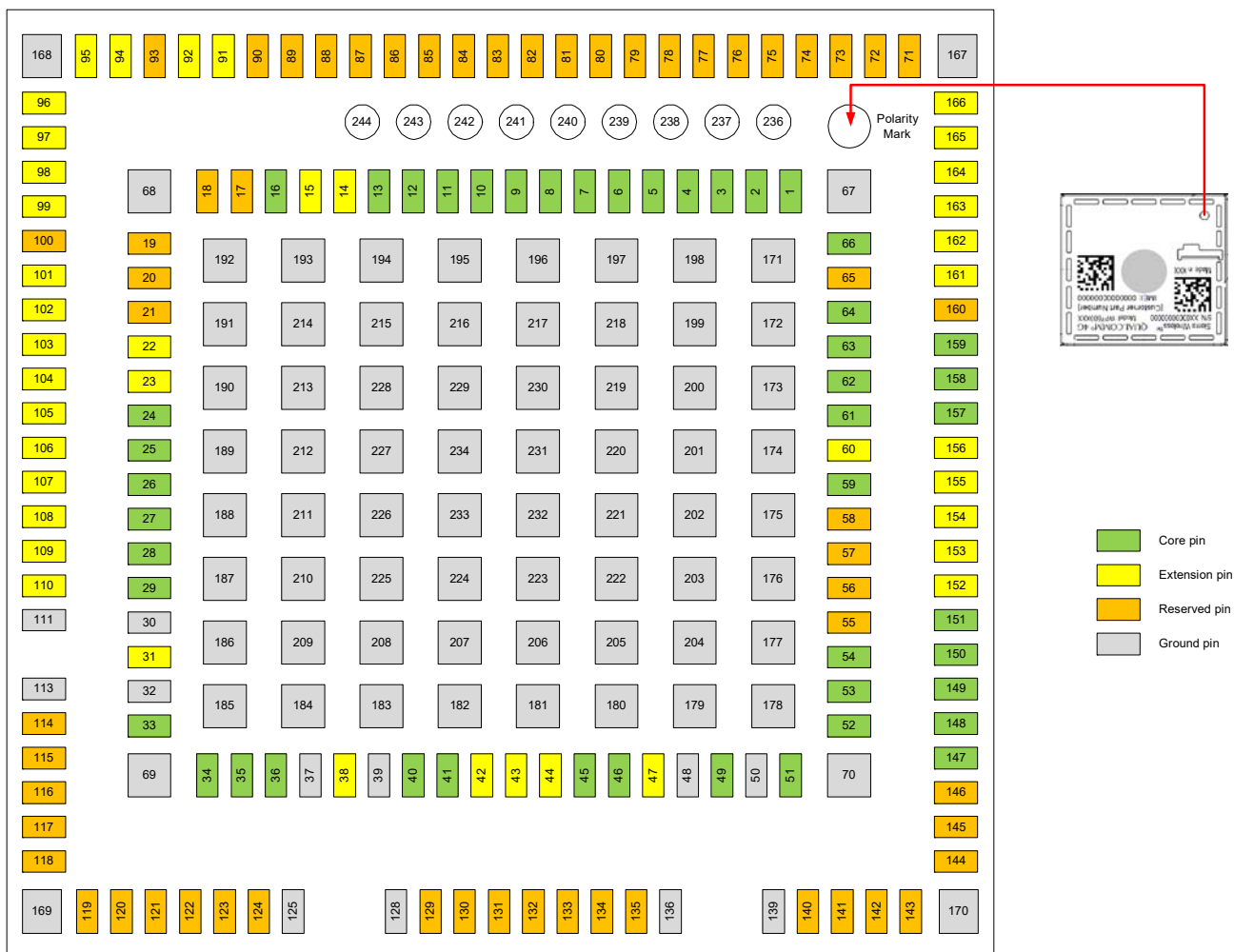


Figure 10-1: Pin Configuration (Top View, Through Module)

10.2 Pin Description

Table 10-1 on page 132 lists detailed information for the LGA pins.

Note: Some pin numbers (112, 126, 127, 137, 138, 235) do not appear in this table because there are no corresponding pads on the module's PCB.

Table 10-1: Pin Definitions

Pin	Signal name	Group	I/O ^a	Voltage	PU/ PD ^b	Active	If unused	Function	Type
1	I2C1_CLK	I2C	I/O	1.8V	PU		Leave open	I ² C clock	Core
2	UART1_RI ^{c,d}	UART1	O	1.8V		L	Leave open	UART1 Ring indicator	Core
<i>Note: Do not install external pull-up on this pin, otherwise the module will not boot.</i>									
3	UART1_RTS ^c	UART1	I	1.8V		L	Leave open	UART1 Request to send	Core
4	UART1_CTS ^c	UART1	O	1.8V		L	Leave open	UART1 Clear to send	Core
5	UART1_TX ^c	UART1	I	1.8V			Leave open	UART1 Transmit data	Core
6	UART1_RX ^c	UART1	O	1.8V			Leave open	UART1 Receive data	Core
7	UART1_DTR ^{c,e}	UART1	I	1.8V		L	Leave open	UART1 Data terminal ready	Core
8	UART1_DCD ^{c,d}	UART1	O	1.8V		L	Leave open	UART1 Data carrier detect	Core
<i>Note: Do not install external pull-up on this pin, otherwise the module will not boot.</i>									
9	UART1_DSR ^{c,d}	UART1	O	1.8V		L	Leave open	UART1 Data set ready	Core
<i>Note: Do not install external pull-up on this pin, otherwise the module will not boot.</i>									
10	GPIO2 ^{e,f}	GPIO	I/O	1.8V	NP		Leave open	General purpose I/O	Core
11	RESET_IN_N	Control signal	I	1.8V	PU	L	Leave open	Input reset signal	Core
12	USB_D-	USB	I/O				Leave open	USB Data negative	Core
13	USB_D+	USB	I/O				Leave open	USB Data positive	Core
14	HSIC_DATA	HSIC	I/O	1.2V			See footnote ^g	High Speed Inter-Chip Data	Extension
15	HSIC_STRB	HSIC	I/O	1.2V			See footnote ^g	High Speed Inter-Chip Strobe	Extension
16	USB_VBUS	USB	I	5V or VBAT_BB			Optional connection (If USB interface is required then connect to USB_VBUS or (if unavailable) VBAT_BB, otherwise leave open.)	USB power supply	Core

Table 10-1: Pin Definitions (Continued)

Pin	Signal name	Group	I/O ^a	Voltage	PU/ PD ^b	Active	If unused	Function	Type
17–20	Reserved	No Connection					See footnote ^h .		Extension
21	Reserved	No Connection					Leave open		Extension
22	SYS_CLK	Clock	O				Leave open	19 MHz digital clock output	Extension
23	SLEEP_CLK	Clock	O				Leave open	32.768 kHz digital clock output	Extension
24	ADC1	ADC	I				Leave open	Analog to digital conversion	Core
25	ADC0	ADC	I				Leave open	Analog to digital conversion	Core
26	UIM1_VCC	UIM1	O	1.8V/3V			Mandatory connection	1.8V/3V UIM1 Power supply	Core
27	UIM1_CLK	UIM1	O	1.8V/3V			Mandatory connection	UIM1 Clock	Core
28	UIM1_DATA	UIM1	I/O	1.8V/3V			Mandatory connection	UIM1 Data	Core
29	UIM1_RESET_N	UIM1	O	1.8V/3V		L	Mandatory connection	UIM1 Reset	Core
30	GND	Ground	0V	0V			Mandatory connection	Diversity antenna ground	Extension
31	RF_DIV	RF					Mandatory connection		Extension
32	GND	Ground	0V	0V			Mandatory connection	Diversity antenna ground	Extension
33	PCM_OUT	PCM	O	1.8V			Leave open	PCM data out	Core
	I2S_OUT	I2S	O	1.8V			Leave open	I2S data out	
34	PCM_IN	PCM	I	1.8V			Leave open	PCM data in	Core
	I2S_IN	I2S	I	1.8V			Leave open	I2S data in	
35	PCM_SYNC	PCM	Pri: I/O Aux: O	1.8V			Leave open	PCM sync	Core
	I2S_WS	I2S	O	1.8V			Leave open	I2S word select	
36	PCM_CLK	PCM	Pri: I/O Aux: O	1.8V			Leave open	PCM clock	Core
	I2S_CLK	I2S	O	1.8V			Leave open	I2S clock	
37	GND	RF	0V	0V			Mandatory connection	GNSS antenna ground	Core
38	RF_GNSS ⁱ	RF					Mandatory connection	RF GNSS input	Extension
39	GND	RF	0V	0V			Mandatory connection	GNSS antenna ground	Core

Table 10-1: Pin Definitions (Continued)

Pin	Signal name	Group	I/O ^a	Voltage	PU/ PD ^b	Active	If unused	Function	Type
40	GPIO7	GPIO	I/O	1.8V	NP		Leave open	General purpose I/O	Core
41	GPIO8	GPIO	I/O	1.8V	NP		Leave open	General purpose I/O	Core
42	DR_SYNC ^j	GPS	O	1.8V			Leave open	GPS dead reckoning sync	Extension
43	EXT_GPS_LNA_EN	Control signal	O	1.8V		H	Leave open	External GNSS LNA enable	Extension
44	GPIO13	GPIO	I/O	1.8V	NP		Leave open	General purpose I/O	Extension
45	VGPIO	Voltage reference	O	1.8V			Leave open	GPIO voltage output	Core
46	GPIO6 ^k	GPIO	I/O	1.8V	NP		Leave open	General purpose I/O	Core
47	TP1 (Boot pin)	Boot	I	1.8V		L	Mandatory test point	Test point 1 <ul style="list-style-type: none"> 0—Download mode Open—Normal mode 	Extension
48	GND	RF	0V	0V			Mandatory connection	Main antenna ground	Core
49	RF_MAIN	RF					Mandatory connection	Main RF antenna	Core
50	GND	RF	0V	0V			Mandatory connection	Main antenna ground	Core
51	SPI1_MRDY	SPI1	O	1.8V			Leave open	SPI Master Ready	Core
52	SPI1_MISO	SPI1	I	1.8V			Leave open	SPI Master Input/Slave Output (output from slave)	Core
53	SPI1_CLK	SPI1	O	1.8V			Leave open	SPI serial clock (output from Master)	Core
54	SPI1_MOSI	SPI1	O	1.8V			Leave open	SPI Master Output/Slave Input (output from master)	Core
55	Reserved	No Connection					See footnote ^l .		Core
56	Reserved	No Connection					See footnote ^l .		Core
57	Reserved	No Connection					See footnote ^l .		Core
58	Reserved	No Connection					See footnote ^l .		Core
59	POWER_ON_N	Control	I	1.8V	PU	L	Mandatory connection	Power On control signal	Core
60	TX_ON	Indication	O	1.8V		H	Leave open	Tx activity indicator	Extension

Table 10-1: Pin Definitions (Continued)

Pin	Signal name	Group	I/O ^a	Voltage	PU/ PD ^b	Active	If unused	Function	Type
61	VBAT_RF	Power	I	3.4V (min) 3.7V (typ) 4.3V (max)			Mandatory connection	RF power supply (see Power Supply Ratings on page 40)	Core
62	VBAT_RF	Power	I	3.4V (min) 3.7V (typ) 4.3V (max)			Mandatory connection	RF power supply (see Power Supply Ratings on page 40)	Core
63	VBAT_BB	Power	I	3.4V (min) 3.7V (typ) 4.3V (max)			Mandatory connection	Baseband power supply (see Power Supply Ratings on page 40)	Core
64	UIM1_DET ^e	UIM1		1.8V			Mandatory connection	Detect UIM1 insertion/removal. (Pin must be open to detect the UIM, or grounded if no UIM is present.)	Core
65	GPIO4 <i>Note: Available in future firmware release.</i>	GPIO	I/O	1.8V	NP		Leave open	General purpose I/O	Extension
66	I2C1_Data	I2C	I/O	1.8V	PU		Leave open	I ² C data	Core
67–70	GND	Ground	0V	0V			Mandatory connection	Ground	Core
71–90	Reserved	No Connection					See footnote ^h .		
91	USB_ID	USB	I				Leave open	Reserved for use with USB OTG	Extension
92	GPIO38 ^{e,f,m}	GPIO	I/O	1.8V	NP		Leave open	General purpose I/O	Extension
93	Reserved	No Connection					See footnote ^h .		
94	GPIO40 ^{m,n}	GPIO	I/O	1.8V	NP		Leave open	General purpose I/O	Extension
95	GPIO41 ^{m,n}	GPIO	I/O	1.8V	NP		Leave open	General purpose I/O	Extension
96	UART2_TX ^c	UART2	I	1.8V			Leave open	UART2 Transmit data	Extension
97	UART2_RX ^c	UART2	O	1.8V			Leave open	UART2 Receive data	Extension
98	UART2_RTS ^c	UART2	I	1.8V			Leave open	UART2 Request To Send	Extension
99	UART2_CTS ^c	UART2	O	1.8V			Leave open	UART2 Clear To Send	Extension
100	Reserved	No Connection					See footnote ^h .		
101	GPIO35	GPIO	I/O	1.8V	NP		Leave open	General purpose I/O	Extension
102	GPIO36 ^{e,f,m}	GPIO	I/O	1.8V	NP		Leave open	General purpose I/O	Extension
103	GPIO37 ^m	GPIO	I/O	1.8V	NP		Leave open	General purpose I/O	Extension
104	GPIO32	GPIO	I/O	1.8V	NP		Leave open	General purpose I/O	Extension

Table 10-1: Pin Definitions (Continued)

Pin	Signal name	Group	I/O ^a	Voltage	PU/ PD ^b	Active	If unused	Function	Type
105	GPIO33	GPIO	I/O	1.8V	NP		Leave open	General purpose I/O	Extension
106	WWAN_LED_N	Indication	O	VBAT_BB ^o		L	Leave open		Extension
107	ADC2 ^f	ADC	I				Leave open		Extension
108	ADC3 ^f	ADC	I				Leave open		Extension
109	GPIO42 ^{e,f}	GPIO	I/O	1.8V	NP		Leave open	General purpose I/O	Extension
110	WAKE_ON_WWAN	Indication	O	1.8V		H	Leave open	Driven high to wake the host when specific events occur.	Extension
111	GND	Ground	0V	0V			Mandatory connection	Diversity antenna ground	Core
113	GND	Ground	0V	0V			Mandatory connection	Diversity antenna ground	Core
114–124	Reserved	No Connection					See footnote ^h .		
125	GND	RF	0V	0V			Mandatory connection	GNSS antenna ground	Core
128	GND	RF	0V	0V			Mandatory connection	GNSS antenna ground	Core
129–135	Reserved	No Connection					See footnote ^h .		
136	GND	RF	0V	0V			Mandatory connection	Main antenna ground	Core
139	GND	RF	0V	0V			Mandatory connection	Main antenna ground	Core
140–146	Reserved	No Connection					See footnote ^h .		
147	GPIO21 ^e	GPIO	I/O	1.8V	NP		Leave open	General purpose I/O	Core
148	GPIO22	GPIO	I/O	1.8V	NP		Leave open	General purpose I/O	Core
149	GPIO23	GPIO	I/O	1.8V	NP		Leave open	General purpose I/O	Core
150	GPIO24	GPIO	I/O	1.8V	NP		Leave open	General purpose I/O	Core
151	W_DISABLE_N	Control	I	1.8V		L	Leave open	Wireless disable (main RF radio)	Core
152	SAFE_PWR_REMOVE	Indication	O	1.8V		H	Leave open	Indicate to host that Main DC power can be removed	Extension
153	ANT_CNTL0	Antenna control	O	1.8V			Leave open		Extension
	GPIO28 ^p	GPIO	I/O	1.8V			Leave open	General purpose I/O	Extension
154	ANT_CNTL1	Antenna control	O	1.8V			Leave open		Extension
	GPIO29 ^p	GPIO	I/O	1.8V			Leave open	General purpose I/O	Extension

Table 10-1: Pin Definitions (Continued)

Pin	Signal name	Group	I/O ^a	Voltage	PU/ PD ^b	Active	If unused	Function	Type
155	ANT_CNTL2	Antenna control	O	1.8V			Leave open		Extension
	GPIO30 ^P	GPIO	I/O	1.8V			Leave open	General purpose I/O	Extension
156	ANT_CNTL3	Antenna control	O	1.8V			Leave open		Extension
	GPIO31 ^P	GPIO	I/O	1.8V			Leave open	General purpose I/O	Extension
157	VBAT_RF	Power	I	3.4V (min) 3.7V (typ) 4.3V (max)			Optional connection	RF power supply (see Power Supply Ratings on page 40)	Core
158	VBAT_BB	Power	I	3.4V (min) 3.7V (typ) 4.3V (max)			Optional connection	Baseband power supply (see Power Supply Ratings on page 40)	Core
159	GPIO25	GPIO	I/O	1.8V	NP		Leave open	General purpose I/O	Core
160	Reserved	No Connection					See footnote ^h .		
161	SDIO_CMD	SDIO	O	1.8V/2.85V			Leave open	SDIO command	Extension
162	SDIO_CLK	SDIO	O	1.8V/2.85V			Leave open	SDIO clock	Extension
163	SDIO_DATA_3	SDIO	I/O	1.8V/2.85V			Leave open	SDIO data bit 3	Extension
164	SDIO_DATA_2	SDIO	I/O	1.8V/2.85V			Leave open	SDIO data bit 2	Extension
165	SDIO_DATA_1	SDIO	I/O	1.8V/2.85V			Leave open	SDIO data bit 1	Extension
166	SDIO_DATA_0	SDIO	I/O	1.8V/2.85V			Leave open	SDIO data bit 0	Extension
167– 234	GND	Ground	0V	0V			Mandatory connection	Ground	Core
236	J1 ^Q			1.8V		L	Mandatory test point	Test point	Extension
237	J2 ^Q			1.8V			Mandatory test point	Test point	Extension
238	J3 ^Q			1.8V			Mandatory test point	Test point	Extension
239	J4 ^Q			1.8V			Mandatory test point	Test point	Extension
240	J5 ^Q			1.8V		L	Mandatory test point	Test point	Extension
241	J6 ^Q			1.8V			Mandatory test point	Test point	Extension
242	J7 ^Q			1.8V			Mandatory test point	Test point	Extension
243	J8 ^Q			1.8V			Mandatory test point	Test point	Extension
244	J9 ^Q			1.8V			Mandatory test point	Test point	Extension

- a. Signal direction with respect to the module. Examples: PCM_OUT (pin 33) is an output from the module to the host; PCM_IN (pin 34) is an input to the module from the host.
- b. NP—No Pull; PD—Pull Down; PU—Pull Up
- c. (UART signals only) Signals are named with respect to the host device. For example, UART1_RX is the signal used by the host to receive data from the module.
- d. Do not install external pull-up on this pin, otherwise the module will not boot.
- e. Pin is 'wakeable'. Can be used to trigger the module to wake up from USB-SS mode (low power active state). See [Wakeup Interrupt \(Sleep State\) on page 87](#) for details.
- f. Can be configured as a wakeup trigger for ULPS. See [Power Consumption States on page 43](#) and [Wakeup Events \(ULPS\) on page 88](#) for details.
- g. If HSIC bus is not used on the host application, refer to [HSIC Bus on page 98](#) for recommended methods for disabling the interface.
- h. Pins are not connected internally, but are reserved for future use. Leave them unconnected to ensure compatibility with other Sierra Wireless CF3 modules.
- j. Support is SKU-dependent
- k. Refer to [GPIO6 on page 87](#) for functional details.
- l. Pins are reserved for future use. Leave them unconnected to ensure compatibility with other Sierra Wireless CF3 modules.
- m. Accessible via sysfs/Legato only.
- n. GPIO40 and GPIO41 may be unavailable in future WP products.
- o. Maximum rating is VBAT_BB + 0.5V, with maximum current sink capability of 40 mA.
- p. This pin is available for use when configured using AT+WIOCFG.
- q. Accessibility restricted to soldered-down modules. Not available for socket-mounted modules.

Table 10-2: RF Pin Information

Signal name	Pin #	Description
RF_DIV	31	Diversity input
RF_GNSS ^a	38	RF GNSS input
RF_MAIN	49	Main RF port (input/output)

a. Support is SKU-dependent

Table 10-3: Supply Pin Information

Signal name	Pin #	Description
VBAT_RF	61, 62, 157	RF power supply
VBAT_BB	63, 158	Baseband power supply
USB_VBUS	16	Connected to USB_VBUS (5V) or (if unavailable) VBAT_BB

Table 10-4: Ground & Reserved Pin Information

Signal name	Pin #	Description
Ground	30, 32, 37, 39, 48, 50, 67–70, 111, 113, 125, 128, 136, 139, 167–234	Ground connection
Reserved	17–21, 55–58, 65, 71–90, 93, 100, 114–124, 129–135, 140–146, 160	Pins are not connected internally, but are reserved for future use. Leave them unconnected to ensure compatibility with other Sierra Wireless CF3 modules.

>> 11: Customization

Subject to commercial terms, Sierra Wireless can supply custom-configured modems to facilitate a carrier's network and performance requirements. Sierra Wireless also offers a standard configuration for each country.

Custom configurations are entered into a selector spreadsheet that Sierra supplies. A unique part number is assigned to each custom configuration to facilitate customer ordering.

Table 11-1: Customizable Features

Name	Description	Default
Display of IMSI	Display of International Mobile Subscriber Identity via AT+CIMI command	Display enabled
UART baud rate	Default UART speed	115200 bps
UART enabled	Defines whether UART port is enabled by default or not	UART disabled

>> 12: Testing

12.1 Certification Testing

Note: Typically, certification testing of your device with the integrated module is required one time only.

The AirPrime WP76XX module has been certified as described in [Compliance Acceptance and Certification on page 127](#).

When you produce a host device with a Sierra Wireless AirPrime embedded module, you must obtain certifications for the final product from appropriate regulatory bodies in the jurisdictions where it will be distributed.

The following are *some* of the regulatory bodies from which you may require certification—it is your responsibility to make sure that you obtain all necessary certifications for your product from these or other groups:

- FCC (Federal Communications Commission—www.fcc.gov)
- Industry Canada (www.ic.gc.ca)
- GCF (Global Certification Forum—www.globalcertificationforum.org) outside of North America
- PTCRB (PCS Type Certification Review Board—www.ptcrb.com) in North America

12.2 Production Testing

Note: Production testing typically continues for the life of the product.

Production testing ensures that, for each assembled device, the module is installed correctly (I/O signals are passed between the host and module), and the antenna is connected and performing to specifications (RF tests).

Typical items to test include:

- Host connectivity
- Baseband (host/module connectors)
- RF assembly (Tx and/or Rx, as appropriate)
- Network availability
- Host/device configuration issues

*Note: The number and types of tests to perform are **your** decision—the tests listed in this section are guidelines only. Make sure that the tests you perform exercise functionality to the degree that **your** situation requires.*

Use an appropriate test station and use AT commands to control the integrated module.

Note: Your test location must be protected from ESD to avoid interference with the module and antenna(s), assuming that your test computer is in a disassembled state. Also, consider using an RF shielding box—local government regulations may prohibit unauthorized transmissions.

Note: The tests described in this chapter are done using a Linux O/S (e.g. Ubuntu 12.04).

12.3 Functional Production Test

This section presents a suggested procedure for performing a basic manual functional test on a laboratory bench using an AirPrime WP76XX module and a hardware development kit. When you have become familiar with the testing method, use it to develop your own automated production testing procedures.

12.3.1 Suggested Production Tests

Consider the following tests when you design your production test procedures for devices with the AirPrime module installed.

- Visual check of the module's connectors and RF assemblies
- Module is operational
- USB connection is functional
- LED is functional
- Power on/off
- Firmware revision check
- Rx tests on main and auxiliary paths
- Tx test

12.3.2 Production Test Procedure

The following is a suggested test plan—you must decide which tests are appropriate for your product. You may wish to add additional tests that more fully exercise the capabilities of your product.

Using an appropriate test station, and referring to the appropriate AT command references:

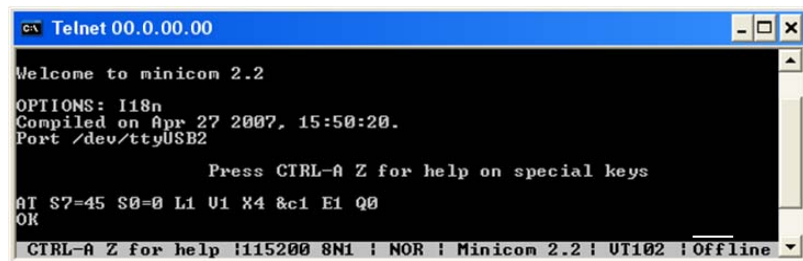
1. Visually inspect the module for obvious defects (such as tainted or damaged shields) before installing it in the test station.
2. Ensure that the module is powered off (no voltage on VBAT_BB/VBAT_RF) before beginning your tests.
3. Determine whether any USB devices are currently connected to the computer:
 - a. Open a shell window and enter the command `ls /dev/tty/USB*`.
 - b. Record the `ttyUSBn` values that are returned; these are the currently connected USB devices. If the command returns “no such file or directory”, there are no devices currently connected.
4. Provide power to the module (voltage on VBAT_BB/VBAT_RF).

5. Test POWER_ON_N—Turn on the module by driving POWER_ON_N low, as shown in [Figure 4-1 on page 80](#).
6. Test USB functionality—Check for USB enumeration.
Enter the command `ls /dev/tty/USB*` and then record and compare the results with those from [Step 3](#). If there are any new `ttyUSBn` devices, then the modem has enumerated successfully. (The AT port is usually the *last* new device.)
7. Make sure your modem is connected and running, and then establish contact with the module:
Use a terminal emulation/communications program such as `minicom` to connect over the device handle for AT commands (see listings in [Step 6](#)):

Note: If the command "minicom" is not found, then use a different program, or download minicom and repeat this step. See [Downloading and Configuring minicom for Linux Systems on page 143](#) for details.

- a. Start minicom:
 - First use of the modem: From the command line, type `minicom -s`. (The '-s' switch shows the configuration menu.)
 - Subsequent uses: From the command line, type `minicom`. (The '-s' switch is assumed.)

The minicom configuration details appear and the message OK appears when the connection is established.



```

Telnet 00.0.00.00
Welcome to minicom 2.2
OPTIONS: I18n
Compiled on Apr 27 2007, 15:50:20.
Port /dev/ttyUSB2

Press CTRL-A Z for help on special keys

AT S7=45 S0=0 L1 U1 X4 &c1 E1 Q0
OK
CTRL-A Z for help !i15200 8N1 ! NOR ! Minicom 2.2 ! UT102 ! Offline

```

8. Display the firmware version:
 - `ATI`
9. Unlock the extended AT command set. (Note: Use `ATIENTERCND?` to check command syntax, which is SKU-dependent.):
 - `ATIENTERCND=<password>`
10. Test the LED—Visually confirm that the LED turns on and off using:
 - `ATILDTEST=0,1` (LED on)
 - `ATILDTEST=0,0` (LED off)
11. Put the module in diagnostic/factory test mode:
 - `ATIDAFTMACT`
12. Communicate with the SIM using `AT+CPIN` or `AT+CIMI`.
13. Test RF transmission, if desired:
 - (UMTS) See [UMTS \(WCDMA/GSM\) RF Transmission Path Test on page 143](#).
 - (LTE) See [LTE RF Transmission Path Test on page 146](#).
14. Test RF reception, if desired:
 - (UMTS) See [UMTS \(WCDMA/GSM\) RF Receive Path Test on page 149](#).
 - (LTE) See [LTE RF Receive Path Test on page 152](#).
15. Test standalone GNSS functionality—See [GNSS RF Receive Path Test on page 154](#).
16. Remove power from the module.

12.3.2.1 Downloading and Configuring minicom for Linux Systems

Note: This procedure is for Ubuntu systems. If you are using a different Linux distribution, use the appropriate commands for your system to download minicom.

To download and configure minicom in a Ubuntu system:

Note: To install minicom, you must have root access, or be included in the sudoers list.

1. Download and install minicom—enter the following command:

```
sudo apt-get install minicom
```
2. When prompted, enter your user password to begin the download and installation. When minicom is installed, the shell prompt appears.
3. Configure minicom to communicate with your modem:
 - a. Start minicom with the following command:

```
minicom -s
```
4. Use the down-arrow key to select the **Serial port setup** option.
5. Refer to [Step 6](#) on page 142 to identify the device file handle (/dev/ttyUSBn) used for AT commands.
6. Indicate the file handle to use for AT commands—Enter A and then replace the serial device string with the AT file handle.
7. Press **Enter** twice.
8. Use the down-arrow key to select **Save setup as dfi**.
9. Select **Exit**.

12.4 UMTS (WCDMA/GSM) RF Transmission Path Test

Important: *As of the publication date of this document, the test procedure described is to be considered preliminary, pending implementation of some commands in a future firmware upgrade.*

Note: This procedure segment is performed in [Step 13](#) of the [Production Test Procedure on page 141](#).

The suggested test procedure that follows uses the parameters in the following tables.

Table 12-1: Test Settings — AirPrime WP7603 UMTS Transmission Path

	Band	Frequency (MHz)	Band ID	Channel ^a
1900 MHz	B2	1880.0	15 ^b	9400

Table 12-1: Test Settings—AirPrime WP7603 UMTS Transmission Path

	Band	Frequency (MHz)	Band ID	Channel^a
1700 MHz	B4	1732.4	28	1412
850 MHz	B5	836.4	22	4182

- a. Channel value used by the !DASCHAN command (!DASCHAN uses uplink (Tx) channel at the center of the corresponding band, for both Tx and Rx testing)
b. Either 15 (WCDMA1900A) or 16 (WCDMA1900B) may be used for testing.

Table 12-2: Test Settings—AirPrime WP7607/WP7608 UMTS Transmission Path

	Band	Frequency (MHz)	Band ID	Tx Channel^a
2100 MHz	B1	1950.0	9	9750
900 MHz	B8	897.6	29	2788

- a. Channel values shown are at the center of the corresponding bands.

Table 12-3: Test Settings—AirPrime WP7609 UMTS Transmission Path

	Band	Frequency (MHz)	Band ID	Tx Channel^a
2100 MHz	B1	1950.0	9	9750
850 MHz	B5	836.4	22	4182
900 MHz	B8	897.6	29	2788

- a. Channel values shown are at the center of the corresponding bands.

Table 12-4: Test Settings—WP7607/WP7608 / WP7609 2G Transmission Path

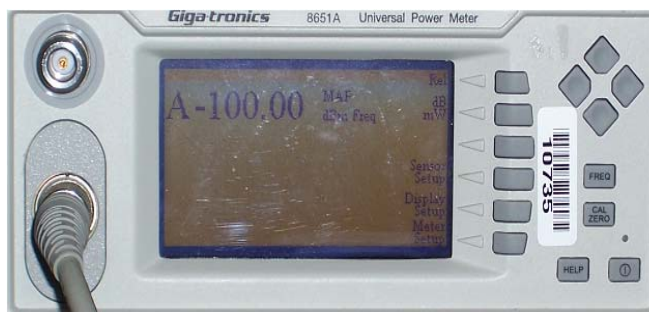
	Band	Frequency (MHz)	Band ID	Tx Channel^a
900 MHz	E-GSM 900	897.4	10	37
1800 MHz	DCS 1800	1747.8	11	700

- a. Channel values shown are at the center of the corresponding bands.

Note: This procedure describes steps using the "Power Meter: Gigatronics 8651A" (with Option 12 and Power Sensor 80701A).

To test the DUT's transmitter path:

1. Set up the power meter:



- a. Make sure the meter has been given sufficient time to warm up, if necessary, to enable it to take accurate measurements.
 - b. Zero-calibrate the meter.
 - c. Enable MAP mode.
2. Prepare the DUT using the following AT commands:
- a. `AT+INTERCND=<password>` (Unlock extended AT command set.)
 - b. `AT+IDAFTMACT` (Enter test mode.)
 - c. `AT+IDASBAND=<bandValue>` (Set frequency band.)
 - See tables 12-1–12-5 for appropriate <bandValue> values
 - d. `AT+IDASCHAN=<channel>` (Set modem channel)
 - See tables 12-1–12-5 for appropriate <channel> values
 - e. `AT+IDASTXON` (Turns on the transmit path.)
 - f. `AT+IDAWSTXPWR=1,15` (Begin transmitting at requested power level.)
 - g. Take the measurement.
 - h. Repeat [Step f](#) with different power levels if desired.
 - i. `AT+IDAWSTXPWR=0,0` (Reduce Tx power to 0, so next time transmitter is turned on, it will come on with 0 dBm power.)
 - j. `AT+IDASTXOFF` (Turn off the transmitter.)
3. Test limits—Run ten or more good DUTs through this test procedure to obtain a nominal output power value.
- Apply a tolerance of ± 5 to 6 dB to each measurement (assuming a good setup design).
 - Monitor these limits during mass-production ramp-up to determine if further adjustments are needed.
 - For GSM mode, the transmit signal is bursted, so the transmit power will appear averaged on the power meter reading.

Note: The module has a nominal output power of +23 dBm ± 1 dB in WCDMA mode. However, the value measured by the power meter is significantly influenced (beyond the stated ± 1 dB output power tolerance) by the test setup (host RF cabling loss, antenna efficiency and pattern, test antenna efficiency and pattern, and choice of shield box).

Note: When doing the same test over the air in an RF chamber, values are likely to be significantly lower.

12.5 LTE RF Transmission Path Test

Important: *As of the publication date of this document, the test procedure described is to be considered preliminary, pending implementation of some commands in a future firmware upgrade.*

Note: This procedure segment is performed in [Step 13](#) of the [Production Test Procedure on page 141](#).

The suggested test procedure that follows uses the parameters in the following tables.

Table 12-5: Test Settings — WP7601 LTE Transmission Path

Band		Frequency (MHz)	Band ID	Channel ^a
1700 MHz	B4	1732.4	42	20175
700 MHz	B13	782.0	36	23230

a. Channel value used by the IDASCHAN command (IDASCHAN uses uplink (Tx) channel at the center of the corresponding band, for both Tx and Rx testing)

Table 12-6: Test Settings — WP7603 LTE Transmission Path

Band		Frequency (MHz)	Band ID	Channel ^a
1900 MHz	B2	1880.0	43	18900
1700 MHz	B4	1732.4	42	20175
850 MHz	B5	836.5	45	20525
700 MHz	B12	707.5	50	23095

a. Channel value used by the IDASCHAN command (IDASCHAN uses uplink (Tx) channel at the center of the corresponding band, for both Tx and Rx testing)

Table 12-7: Test Settings — WP7607 LTE Transmission Path

Band		Frequency (MHz)	Band ID	Channel ^a
2100 MHz	B1	1950.0	34	18300
1800 MHz	B3	1747.5	44	19575
2600 MHz	B7	2535.0	35	21100
900 MHz	B8	897.5	47	21625

Table 12-7: Test Settings—WP7607 LTE Transmission Path (Continued)

Band		Frequency (MHz)	Band ID	Channel ^a
800 MHz	B20	847.0	56	24300
700 MHz	B28	725.5	64	27435

- a. Channel value used by the !DASCHAN command (!DASCHAN uses uplink (Tx) channel at the center of the corresponding band, for both Tx and Rx testing)

Table 12-8: Test Settings—WP7608 LTE Transmission Path

Band		Frequency (MHz)	Band ID	Channel ^a
2100 MHz	B1	1950.0	34	18300
1800 MHz	B3	1747.5	44	19575
850 MHz	B5	836.5	45	20525
900 MHz	B8	897.5	47	21625
2300 MHz	B40	2350.0	92	39150
2500 MHz	B41	2593.0	76	40620

- a. Channel value used by the !DASCHAN command (!DASCHAN uses uplink (Tx) channel at the center of the corresponding band, for both Tx and Rx testing)

Table 12-9: Test Settings—WP7609 LTE Transmission Path

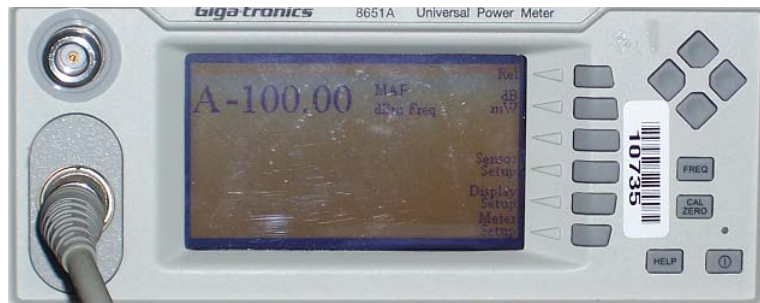
Band		Frequency (MHz)	Band ID	Channel ^a
2100 MHz	B1	1950.0	34	18300
1800 MHz	B3	1747.5	44	19575
850 MHz	B5	836.5	45	20525
2600 MHz	B7	2535.0	35	21100
900 MHz	B8	897.5	47	21625
700 MHz	B28	725.5	64	27435

- a. Channel value used by the !DASCHAN command (!DASCHAN uses uplink (Tx) channel at the center of the corresponding band, for both Tx and Rx testing)

Note: This procedure describes steps using the "Power Meter: Gigatronics 8651A" (with Option 12 and Power Sensor 80701A).

To test the DUT's transmitter path:

1. Set up the power meter:



- a. Make sure the meter has been given sufficient time to warm up, if necessary, to enable it to take accurate measurements.
 - b. Zero-calibrate the meter.
 - c. Enable MAP mode.
2. Prepare the DUT using the following AT commands (adjusting the band, channel, bandwidth, modulation, RB allocation, NS, and power level as necessary):
- a. `AT+ENTERCND=<password>` (Unlock extended AT command set.)
 - b. `AT+IDAFTMACT` (Enter test mode.)
 - c. `AT+IDASBAND=<bandValue>` (Set frequency band (e.g. 34 for LTE B1).)
 - See tables 12-5–12-9 for appropriate <bandValue> values.
 - d. `AT+IDALSTXBW=3` (Set Tx bandwidth to 10 MHz.)
 - e. `AT+IDALSRXBW=3` (Set Rx bandwidth to 10 MHz.)
 - f. `AT+IDASCHAN=<channel>` (Set modem channel (e.g. 18300 for LTE B1).)
 - See tables 12-5–12-9 for appropriate <channel> values.
 - g. `AT+IDALSTXMOD=0` (Set Tx modulation type to QPSK.)
 - h. `AT+IDALSWAVEFORM=1,12,0,19` (Set the Tx waveform characteristics. Make sure to set the correct resource block allocation (2nd parameter) appropriately. For example, 12 is used to produce max power—refer to 3GPP 36.521 table for Maximum Power Reduction (MPR) for Power Class 3 for more information.)
 - i. `AT+IDALSNSVAL=1` (Set the LTE NS (Net Sig) value.)
 - j. `AT+IDASTXON` (Turn on the transmitter. Note that the transmitter will put out the last power level that was programmed.)
 - k. `AT+IDALSTXPWR=1,10` (Begin transmitting at requested power level.)
 - l. Take the measurement.
 - m. Repeat Step k with different power levels if desired.
 - n. `AT+IDALSTXPWR=0,0` (Reduce Tx power to 0, so next time transmitter is turned on, it will come on with 0 dBm power.)
 - o. `AT+IDASTXOFF` (Turn off the transmitter.)

3. Test limits—Run ten or more good DUTs through this test procedure to obtain a nominal output power value.
 - Apply a tolerance of ± 5 to 6 dB to each measurement (assuming a good setup design).
 - Monitor these limits during mass-production ramp-up to determine if further adjustments are needed.

Note: The module has a nominal output power of +23 dBm ± 1 dB in LTE mode. However, the value measured by the power meter is significantly influenced (beyond the stated ± 1 dB output power tolerance) by the test setup (host RF cabling loss, antenna efficiency and pattern, test antenna efficiency and pattern, and choice of shield box).

Note: When doing the same test over the air in an RF chamber, values are likely to be significantly lower.

12.6 UMTS (WCDMA/GSM) RF Receive Path Test

Note: This procedure segment is performed in [Step 14](#) of the [Production Test Procedure on page 141](#).

The suggested test procedure that follows uses the parameters in the following tables.

Table 12-10: Test Settings—WP7603 UMTS Receive Path

Band		Frequency ^a (MHz)	Band ID	Channel ^b
1900 MHz	B2	1961.20	15 ^c	9400
1700 MHz	B4	2133.20	28	1412
850 MHz	B5	882.60	22	4182

- a. Receive frequencies shown are 1.2 MHz offset from center
- b. Channel value used by the !DASCHAN command (!DASCHAN uses uplink (Tx) channel at the center of the corresponding band, for both Tx and Rx testing)
- c. Either 15 (WCDMA1900A) or 16 (WCDMA1900B) may be used for testing.

Table 12-11: Test Settings—WP7607/WP7608 UMTS Receive Path

Band		Frequency ^a (MHz)	Band ID	Rx Channel ^b
2100 MHz	B1	2141.2	9	9750
900 MHz	B8	943.8	29	2788

- a. Receive frequencies shown are 1.2 MHz offset from center
- b. Channel values shown are at the center of the corresponding bands.

Table 12-12: Test Settings—WP7609 UMTS Receive Path

Band		Frequency ^a (MHz)	Band ID	Rx Channel ^b
2100 MHz	B1	2141.2	9	9750
850 MHz	B5	882.6	22	4182
900 MHz	B8	943.8	29	2788

- a. Receive frequencies shown are 1.2 MHz offset from center
- b. Channel values shown are at the center of the corresponding bands.

Table 12-13: Test Settings—WP7607/WP7608 / WP7609 2G Receive Path

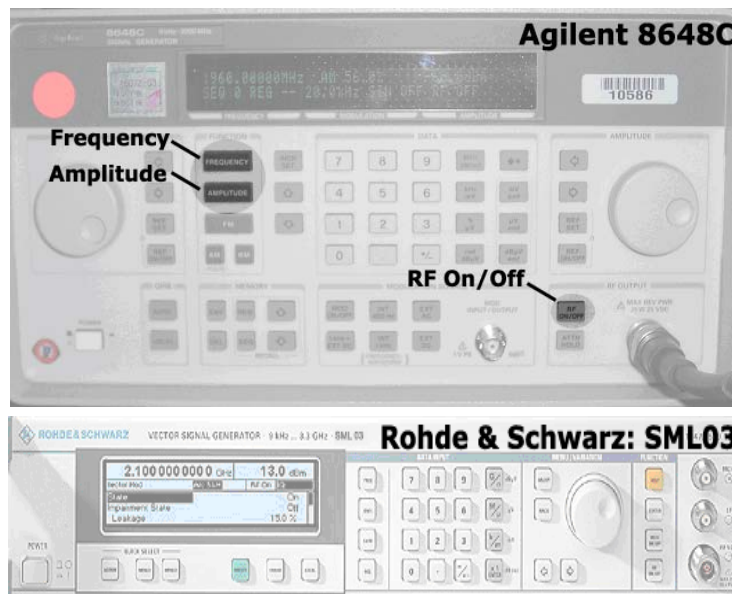
Band		Frequency ^a (MHz)	Band ID	Rx Channel ^b
900 MHz	E-GSM 900	942.467	10	37
1800 MHz	DCS 1800	1842.867	11	700

- a. Receive frequencies shown are 67 KHz offset from center
- b. Channel values shown are at the center of the corresponding bands.

To test the DUT's receive path:

1. Set up the signal generator:

Note: This procedure describes steps using the Agilent 8648C signal generator—the Rohde & Schwarz SML03 is shown for reference only.



- a. Set the amplitude to:
 - -80 dBm (WCDMA mode)
 - -60 dBm (GSM mode)
 - b. Set the frequency for the band being tested. See tables 12-10–12-15 for frequency values.
2. Set up the DUT:
 - a. ATINTERCND=<password> (Unlock extended AT command set.)
 - b. ATIDAFTMACT (Put modem into factory test mode.)

- c. **ATIDASBAND=<band>** (Set frequency band.)
 - See tables 12-10–12-15 for <band> values
 - d. **ATIDASCHAN=<channel>** (Set modem channel)
 - See tables 12-10–12-15 for <channel> values
 - e. **ATIDASLNAGAIN=0** (Set the LNA to maximum gain.)
 - f. (WCDMA mode)
ATIDAWGAVGAGC=9400,0 (For PCS1900, channel 9400 as an example.)
 (GSM mode)
 - i. **ATIDAGSRXBURST=0** (Set to receive bursted mode.)
 - ii. **ATIDAGGAVGRSSI=190,0** (For channel 190, for example)
 The returned value is the RSSI in dBm.
3. Test limits—Run ten or more good DUTs through this test procedure to obtain a nominal received power value.
- Apply a tolerance of ± 5 to 6 dB to each measurement (assuming a good setup design).
 - Make sure the measurement is made at a high enough level that it is not influenced by DUT-generated and ambient noise.
 - The Signal Generator power level can be adjusted and new limits found if the radiated test needs greater signal strength.
 - Monitor these limits during mass-production ramp-up to determine if further adjustments are needed.

Note: The value measured from the DUT is significantly influenced by the test setup and DUT design (host RF cabling loss, antenna efficiency and pattern, test antenna efficiency and pattern, and choice of shield box).

4. Test diversity paths:
- a. Set up the signal generator as in [Step 1](#).
 - b. Set up the DUT:
 - i. **ATIENTERCND="<password>"** (Unlock extended AT command set.)
 - ii. **ATIDAFTMACT** (Put modem into factory test mode.)
 - iii. **ATIDASBAND=<band>** (Set frequency band.)
 - See tables 12-10–12-15 for <band> values
 - iv. **ATIDAWSSCHAIN=1** (Enable the secondary chain.)
 - v. **ATIDASCHAN=<channel>** (Set modem channel)
 - See tables 12-10–12-15 for <channel> values
 - vi. **ATIDASLNAGAIN=0** (Set the LNA to maximum gain.)
 - vii. **ATIDAWGAVGAGC=9400,0,1** (The '1' indicates the diversity path is used.)
 - c. Test the limits as in [Step 3](#).

*Note: Setup of the DUT is the same as in [Step 2](#), except for a change to **ATIDAWGAVGAGC** and the addition of **ATIDAWSSCHAIN**.*

12.7 LTE RF Receive Path Test

Note: This procedure segment is performed in Step 14 of the Production Test Procedure on page 141.

The suggested test procedure that follows uses the parameters in the following tables.

Table 12-14: Test Settings — WP7601 LTE Receive Path

Band		Frequency ^a (MHz)	Band ID	Channel ^b
1700 MHz	B4	2134.50	42	20175
780 MHz	B13	753.00	36	23230

- a. Receive frequencies shown are 2 MHz offset from center
- b. Channel value used by the IDASCHAN command (IDASCHAN uses uplink (Tx) channel at the center of the corresponding band, for both Tx and Rx testing)

Table 12-15: Test Settings — WP7603 LTE Receive Path

Band		Frequency ^a (MHz)	Band ID	Channel ^b
1900 MHz	B2	1962.00	43	18900
1700 MHz	B4	2134.50	42	20175
850 MHz	B5	883.50	45	20525
700 MHz	B12	739.50	50	23095

- a. Receive frequencies shown are 2 MHz offset from center
- b. Channel value used by the IDASCHAN command (IDASCHAN uses uplink (Tx) channel at the center of the corresponding band, for both Tx and Rx testing)

Table 12-16: Test Settings — WP7607 LTE Receive Path

Band		Frequency ^a (MHz)	Band ID	Rx Channel ^b
2100 MHz	B1	2142.00	34	18300
1800 MHz	B3	1844.5	44	19575
2600 MHz	B7	2657.00	35	21100
900 MHz	B8	944.5	47	21625
800 MHz	B20	808.00	56	24300
700 MHz	B28	782.5	64	27435

- a. Receive frequencies shown are 2 MHz offset from center
- b. Channel values shown are at the center of the corresponding bands.

Table 12-17: Test Settings — WP7608 LTE Receive Path

Band		Frequency ^a (MHz)	Band ID	Rx Channel ^b
2100 MHz	B1	2142.00	34	18300

Table 12-17: Test Settings—WP7608 LTE Receive Path (Continued)

Band	Band ID	Frequency ^a (MHz)	Rx Channel ^b
1800 MHz	B3	1844.5	19575
850 MHz	B5	883.50	20525
900 MHz	B8	944.5	21625
2300 MHz	B40	2352.0	39150
2500 MHz	B41	2595.0	40620

- Receive frequencies shown are 2 MHz offset from center
- Channel values shown are at the center of the corresponding bands.

Table 12-18: Test Settings—WP7609 LTE Receive Path

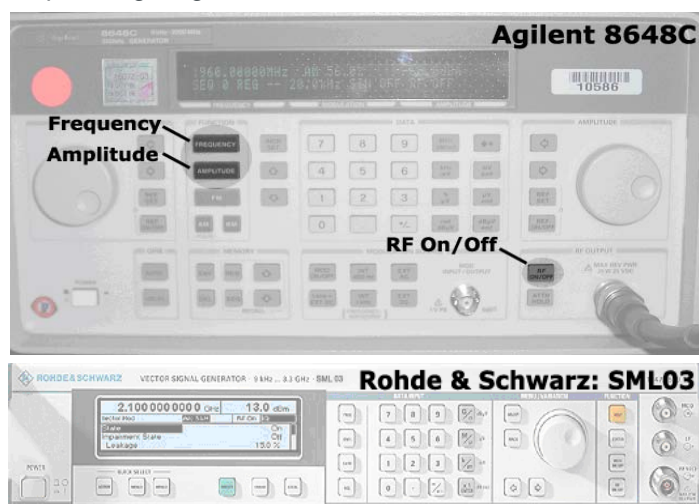
Band	Band ID	Frequency ^a (MHz)	Rx Channel ^b
2100 MHz	B1	2142.00	18300
1800 MHz	B3	1844.5	19575
850 MHz	B5	883.50	20525
2600 MHz	B7	2657.00	21100
900 MHz	B8	944.5	21625
700 MHz	B28	782.5	27435

- Receive frequencies shown are 2 MHz offset from center
- Channel values shown are at the center of the corresponding bands.

To test the DUT's receive path (or diversity path, while connected to the diversity antenna):

- Set up the signal generator:

Note: This procedure describes steps using the Agilent 8648C signal generator—the Rohde & Schwarz SML03 is shown for reference only.



- Set the amplitude to -70 dBm
- Set the frequency for the band being tested. See tables 12-14–12-18 for frequency values.

2. Set up the DUT:
 - a. **ATIENTERCND=<password>** (Unlock extended AT command set.)
 - b. **ATIDAFTMACT** (Put modem into factory test mode.)
 - c. **ATIDASBAND=<band>** (Set frequency band.)
 - See tables [12-14–12-18](#) for <band> values
 - d. **ATIDALSRXBW=2** (Set Rx LTE bandwidth to 5MHz.)
 - e. **ATIDALSTXBW=2** (Set Tx LTE bandwidth to 5MHz.)
 - f. **ATIDASCHAN=<channel>** (Set modem channel)
 - See tables [12-14–12-18](#) for <channel> values
 - g. **ATIDALGAVGAGC=<channel>,0** (Get averaged Rx AGC)
 - See tables [12-14–12-18](#) for <channel> values
3. Test limits—Run ten or more good DUTs through this test procedure to obtain a nominal received power value.
 - Apply a tolerance of ± 5 to 6 dB to each measurement (assuming a good setup design).
 - Make sure the measurement is made at a high enough level that it is not influenced by DUT-generated and ambient noise.
 - The Signal Generator power level can be adjusted and new limits found if the radiated test needs greater signal strength.
 - Monitor these limits during mass-production ramp-up to determine if further adjustments are needed.

Note: The value measured from the DUT is significantly influenced by the test setup and DUT design (host RF cabling loss, antenna efficiency and pattern, test antenna efficiency and pattern, and choice of shield box).

12.8 GNSS RF Receive Path Test

The GNSS receive path uses the dedicated GNSS connector.

To test the GNSS receive path:

1. Inject a carrier signal at -110dBm, frequency 1575.52 MHz into the GNSS Rx path at the connector. (Note that this frequency is 100 kHz higher than the actual GPS L1 center frequency.)
2. Test the signal carrier-to-noise level at the GNSS receiver:
 - a. **ATIENTERCND=<password>** (Unlock extended AT command set.)
 - b. **ATIDAFTMACT** (Put modem into factory test mode.)
 - c. **ATIDACGPSTESTMODE=1** (Start CGPS diagnostic task.)
 - d. **ATIDACGPSSTANDALONE=1** (Enter standalone RF mode.)
 - e. **ATIDACGPSMASKON** (Enable log mask.)
 - f. **ATIDACGPSCTON** (Return signal-to-noise and frequency measurements.)
 - g. Repeat **ATIDACGPSCTON** five to ten times to ensure the measurements are repeatable and stable.

-
3. Leave the RF connection to the embedded module intact, and turn off the signal generator.
 4. Take several more **IDACGPSCTON** readings. This will demonstrate a 'bad' signal in order to set limits for testing, if needed. This frequency offset should fall outside of the guidelines in the note below, which indicates that the CtoN result is invalid.
 5. (Optional) Turn the signal generator on again, and reduce the level to -120dBm. Take more **IDACGPSCTON** readings and use these as a reference for what a marginal/poor signal would be.

*Note: The response to **ATIDACGPSCTON** for a good connection should show CtoN within 58 +/- 5dB and Freq (frequency offset) within 100000 Hz +/- 5000 Hz.*

>> 13: References

For more details, several references can be consulted, as detailed below.

13.1 Web Site Support

Check <http://source.sierrawireless.com> for the latest documentation available for the AirPrime WP76XX.

13.2 Reference Documents

- [1] AirPrime WP8548/WP75xx/WP76xx/WP77xx AT Command Reference
Reference number: 4118047
- [2] Inter-Chip USB Supplement to the USB 2.0 Specification Revision 1.0
- [3] Legato.io for Legato API details
- [4] AirPrime WPx5/WP76 Series Customer Process Guidelines
Reference number: 4116612
- [5] AirPrime WPx5xx/WP76xx Scalability Guide
Reference number: 41110866
- [6] I²C Bus Specification, Version 2.1, January 2000
Reference: Phillips Semiconductor document number 9398 393 40011

>> 14: Abbreviations

Table 14-1: Acronyms and Definitions

Acronym or term	Definition
3GPP	3rd Generation Partnership Project
8PSK	Octagonal Phase Shift Keying
ADC	Analog to Digital Converter
AF	Audio-Frequency
API	Application Programming Interface
AT	Attention (prefix for modem commands)
BeiDou	BeiDou Navigation Satellite System A Chinese system that uses a series of satellites in geostationary and middle earth orbits to provide navigational data.
BER	Bit Error Rate—A measure of receive sensitivity
BLER	Block Error Rate
Bluetooth	Wireless protocol for data exchange over short distances
CEP CEP-##	Circular Error Probability—Measure of GPS horizontal accuracy indicating the radius of a circle around the actual position that contains 50% of GPS measurements. CEP-##—Radius of circle containing ##% of GPS measurements (e.g. CEP-90 indicates 90% of measurements contained within circle)
CF3	Common Flexible Form Factor
CLK	Clock
CMOS	Complementary Metal Oxide Semiconductor
CPU	Central Processing Unit
CQI	Channel Quality Indication
CS	Circuit-Switched Coding Scheme
CTS	Clear To Send
CW	Continuous waveform
DAC	Digital to Analog Converter
dB	Decibel = $10 \times \log_{10} (P1/P2)$ <i>P1 is calculated power; P2 is reference power</i> Decibel = $20 \times \log_{10} (V1/V2)$ <i>V1 is calculated voltage, V2 is reference voltage</i>
dBm	A logarithmic (base 10) measure of relative power (dB for decibels); relative to milliwatts (m). A dBm value will be 30 units (1000 times) larger (less negative) than a dBW value, because of the difference in scale (milliwatts vs. watts).

Table 14-1: Acronyms and Definitions (Continued)

Acronym or term	Definition
DC	Direct Current
DCD	Data Carrier Detect
DCS	Digital Cellular System A cellular communication infrastructure that uses the 1.8 GHz radio spectrum.
DL	Downlink (network to mobile)
DRX	Discontinuous Reception
DSR	Data Set Ready
DTR	Data Terminal Ready
E-GSM	Extended GSM
EDGE	Enhance Data rates for GSM Evolution
EFR	Enhanced Full Rate
EGPRS	Enhance GPRS
EIRP	Effective (or Equivalent) Isotropic Radiated Power
EMC	Electromagnetic Compatibility
EN	Enable
ERP	Effective Radiated Power
ESD	Electrostatic Discharges
eSIM	Embedded SIM
ETSI	European Telecommunications Standards Institute
FCC	Federal Communications Commission The U.S. federal agency that is responsible for interstate and foreign communications. The FCC regulates commercial and private radio spectrum management, sets rates for communications services, determines standards for equipment, and controls broadcast licensing. Consult www.fcc.gov .
FDD	Frequency Division Duplexing
FDMA	Frequency Division Multiple Access
firmware	Software stored in ROM or EEPROM; essential programs that remain even when the system is turned off. Firmware is easier to change than hardware but more permanent than software stored on disk.
FOV	Field Of View
FR	Full Rate
FSN	Factory Serial Number—A unique serial number assigned to the module during manufacturing.
Galileo	A European system that uses a series of satellites in middle earth orbit to provide navigational data.

Table 14-1: Acronyms and Definitions (Continued)

Acronym or term	Definition
GCF	Global Certification Forum
GLONASS	Global Navigation Satellite System—A Russian system that uses a series of 24 satellites in middle circular orbit to provide navigational data.
GMSK	Gaussian Minimum Shift Keying modulation
GND	Ground
GNSS	Global Navigation Satellite Systems (GPS, GLONASS, BeiDou, and Galileo)
GPIO	General Purpose Input Output
GPRS	General Packet Radio Service
GPS	Global Positioning System An American system that uses a series of 24 satellites in middle circular orbit to provide navigational data.
GSM	Global System for Mobile communications
Hi Z	High impedance (Z)
Host	The device into which an embedded module is integrated
HR	Half Rate
HSDPA	High Speed Downlink Packet Access
HSUPA	High Speed Uplink Packet Access
Hz	Hertz = 1 cycle/second
I/O	Input/Output
IC	Industry Canada
IC	Integrated Circuit
IMEI	International Mobile Equipment Identity
IMS	IP Multimedia Subsystem—Architectural framework for delivering IP multimedia services.
inrush current	Peak current drawn when a device is connected or powered on
IOT	Interoperability Testing
IS	Interim Standard. After receiving industry consensus, the TIA forwards the standard to ANSI for approval.
ISIM	IMS Subscriber Identity Module.
LED	Light Emitting Diode. A semiconductor diode that emits visible or infrared light.
LGA	Land Grid Array
LHCP	Left-Hand Circular Polarized

Table 14-1: Acronyms and Definitions (Continued)

Acronym or term	Definition
LNA	Low noise Amplifier
LTE	Long Term Evolution—a high-performance air interface for cellular mobile communication systems.
MAX	Maximum
MCS	Modulation and Coding Scheme
MHz	Megahertz = 10e6 Hz
MIC	Microphone
MIMO	Multiple Input Multiple Output—wireless antenna technology that uses multiple antennas at both transmitter and receiver side. This improves performance.
MIN	Minimum
MO	Mobile Originated
MT	Mobile Terminated
N/A	Not Applicable
NMEA	National Marine Electronics Association
NOM	Nominal
OEM	Original Equipment Manufacturer—a company that manufactures a product and sells it to a reseller.
PA	Power Amplifier
packet	A short, fixed-length block of data, including a header, that is transmitted as a unit in a communications network.
PBCCH	Packet Broadcast Control Channel
PC	Personal Computer
PCB	Printed Circuit Board
PCL	Power Control Level
PCS	Personal Communication System A cellular communication infrastructure that uses the 1.9 GHz radio spectrum.
PDN	Packet Data Network
PFM	Power Frequency Modulation
PLL	Phase Lock Loop
PMIC	Power Management Integrated Circuit
PSM	Phase Shift Modulation
PSS	Primary synchronization signal
PST	Product Support Tools

Table 14-1: Acronyms and Definitions (Continued)

Acronym or term	Definition
PTCRB	PCS Type Certification Review Board
PWM	Pulse Width Modulation
QAM	Quadrature Amplitude Modulation. This form of modulation uses amplitude, frequency, and phase to transfer data on the carrier wave.
QPSK	Quadrature Phase-Shift Keying
R2C	Ready-To-Connect
RAM	Random Access Memory
RAT	Radio Access Technology
RF	Radio Frequency
RHCP	Right Hand Circular Polarization
RI	Ring Indicator
RSE	Radiated Spurious Emissions
RSSI	Received Signal Strength Indication
RST	Reset
RTC	Real Time Clock
RTS	Request To Send
RX	Receive
SCLK	Serial Clock
SED	Smart Error Detection
Sensitivity (Audio)	Measure of lowest power signal that the receiver can measure.
Sensitivity (RF)	Measure of lowest power signal at the receiver input that can provide a prescribed BER/BLER/SNR value at the receiver output.
SIM	Subscriber Identity Module.
SIMO	Single Input Multiple Output—Wireless antenna technology that uses multiple antennas at the receiver side and one antenna at the source (transmitter).
SKU	Stock Keeping Unit—identifies an inventory item: a unique code, consisting of numbers or letters and numbers, assigned to a product by a retailer for purposes of identification and inventory control.
SMS	Short Message Service
SNR	Signal-to-Noise Ratio
SPI	Serial Peripheral Interface
SPK	Speaker
SW	Software

Table 14-1: Acronyms and Definitions (Continued)

Acronym or term	Definition
TBC	To Be Confirmed
TBD	To Be Determined
TIA/EIA	Telecommunications Industry Association / Electronics Industry Association. A standards setting trade organization, whose members provide communications and information technology products, systems, distribution services and professional services in the United States and around the world. Consult www.tiaonline.org .
TIS	Total Isotropic Sensitivity
TP	Test Point
TRP	Total Radiated Power
TX	Transmit
TYP	Typical
UART	Universal Asynchronous Receiver-Transmitter
UE	User Equipment
UICC	Universal Integrated Circuit Card
UIM	User Identity Module. Generic term used in this document to refer to UICC, where the application on the UICC (USIM, ISIM, CSIM, etc.) varies depending on the provider of the card.
UL	Uplink (mobile to network)
UMTS	Universal Mobile Telecommunications System
USB	Universal Serial Bus
USB-SS	USB Selective Suspend/USB not enumerated
USIM	Universal Subscriber Identity Module (UMTS)
USSD	Unstructured Supplementary Services Data
UTRA	UMTS Terrestrial Radio Access
VBAT-BB	Baseband power supply
VBAT-RF	RF power supply
VCC	Supply voltage
VSWR	Voltage Standing Wave Ratio
WCDMA	Wideband Code Division Multiple Access (also referred to as UMTS)
WLAN	Wireless Local Area Network
WWAN	Wireless Wide Area Network
ZIF	Zero Intermediate Frequency