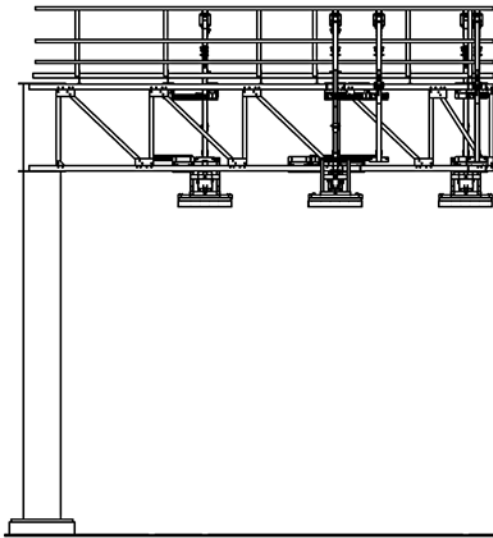
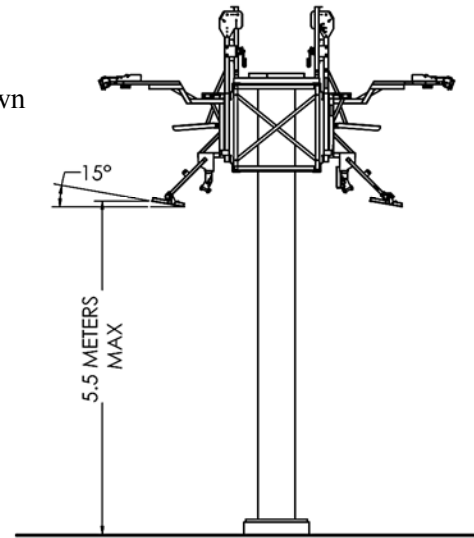


Antenna Exhibit

© Kapsch TrafficCom Canada Inc. 2018
 These drawings and specifications contain confidential and proprietary information and are the property of Kapsch TrafficCom Canada Inc. and are issued in strict confidence and will not be disclosed or used solely for the purpose intended and for no other purpose and shall not be reproduced, reprinted, copied, and/or used as the basis for manufacture in any form without the express written consent of Kapsch TrafficCom Canada Inc.



antenna will be mounted on fixed gantry (<6m) facing down towards the roadway with a slight tilt of 10 to 15 degrees



UNLESS OTHERWISE SPECIFIED DIMENSIONS ARE IN INCHES. DIMENSIONAL UNITS AND SURFACE FINISHES DESIGNATIONS APPLY BEFORE THE PROTECTIVE FINISH IS APPLIED TOLERANCES ON: SURFACE FRACTIONS ANGLES FINISH <input type="checkbox"/> PLACE DECIMALS ± 0.003 <input checked="" type="checkbox"/> PLACE DECIMALS ±	DRAWN	DATE	Kapsch TrafficCom kapsch
	CHECKED		
	D.O.		
	ENGRG		
APPROVED			
DWG. NO. SCALE: 1:40 WEIGHT:	SHEET 1 OF 1 GANTRY PICTURE FOR EB		