

**GPS LIVE INSIDE****GPS Passive Antenna****DESCRIPTION**

The L1P is a passive L1 GPS antenna suited for many applications.

FEATURES

- Excellent Typical Gain of 3dBiC
- Bottom Mount
- Multiple Connector Options

OPTIONS

The L1P comes with many available options to meet specific needs. Please contact GPS Source via phone, fax, email, or visit the website for further information on product options and specifications.

**L1P Data Sheet**

059-FAN-AAQ-XCX-PXZ-001
7/20/2014
www.gpssource.com

1 L1P Specifications

Table 1-1. Electrical Specifications

Operating Temperature -40°C to 85°C

Parameter	Conditions	Min	Typ	Max	Units
Frequency Range (Passband)	Ant: Output = 50Ω	1570	1575	1580	MHz
Out Impedance			50		Ω
Gain	Output = 50Ω	2.5	2.8	3	dBIC
Output SWR	Output = 50Ω			2.5:1	—
Polarization	Right Hand Circular				
Shock	40G				
Vibration	6G(RMS) 50kHz to 2kHz				

2 Performance Data

2.1 Far Field Patterns — 1575MHz

Figure 2-1. Far Field Plots Rotating Linear

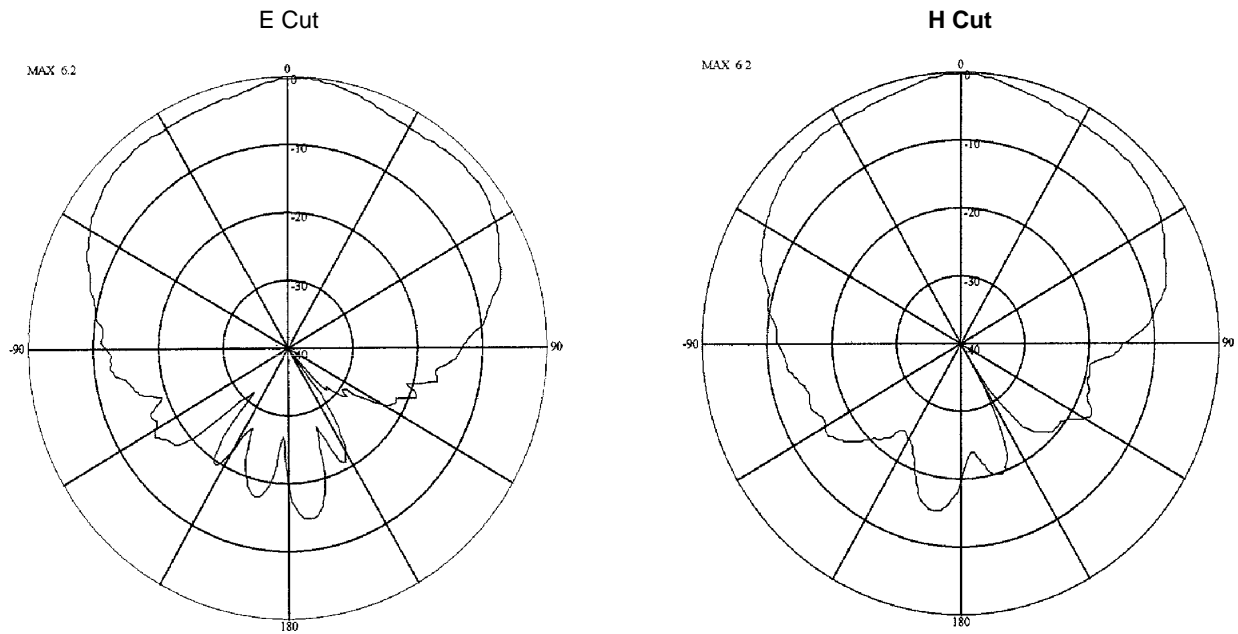
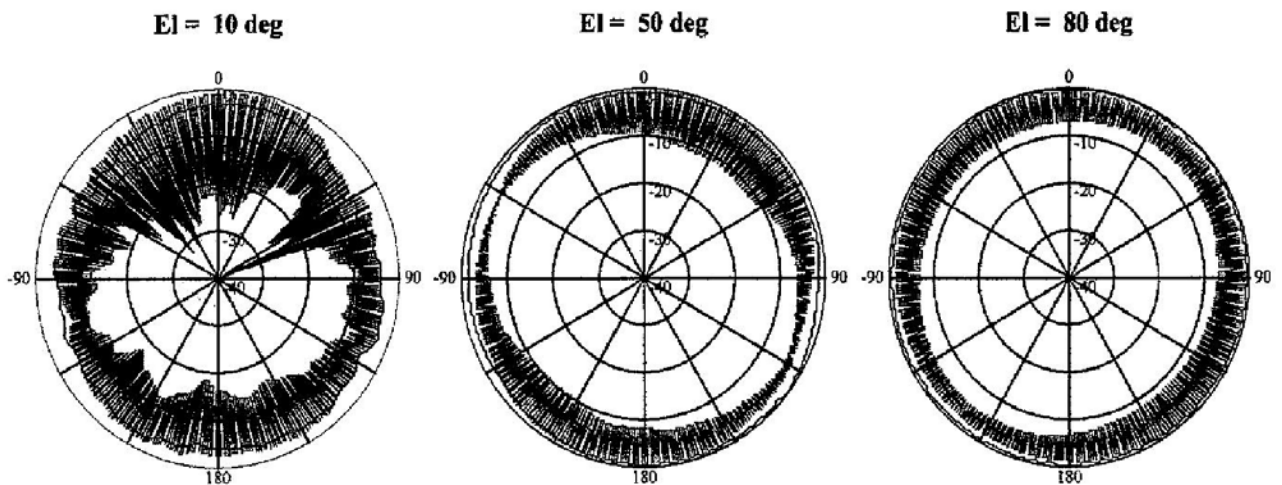


Figure 2-2. Far Field Plots Azimuth Cuts

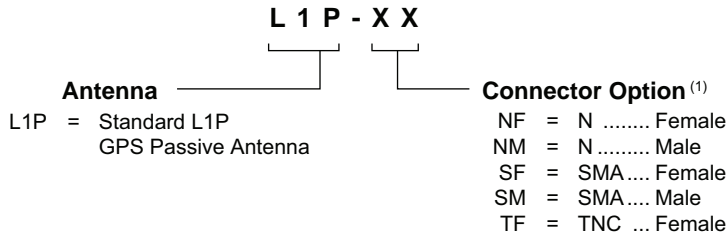


3 Product Options

Table 3-1. L1P Available Options

Available Options			
RF Connector	Type		Limitations
	N	Male and Female	N/A
	SMA	Male and Female	N/A
	TNC	Female	N/A

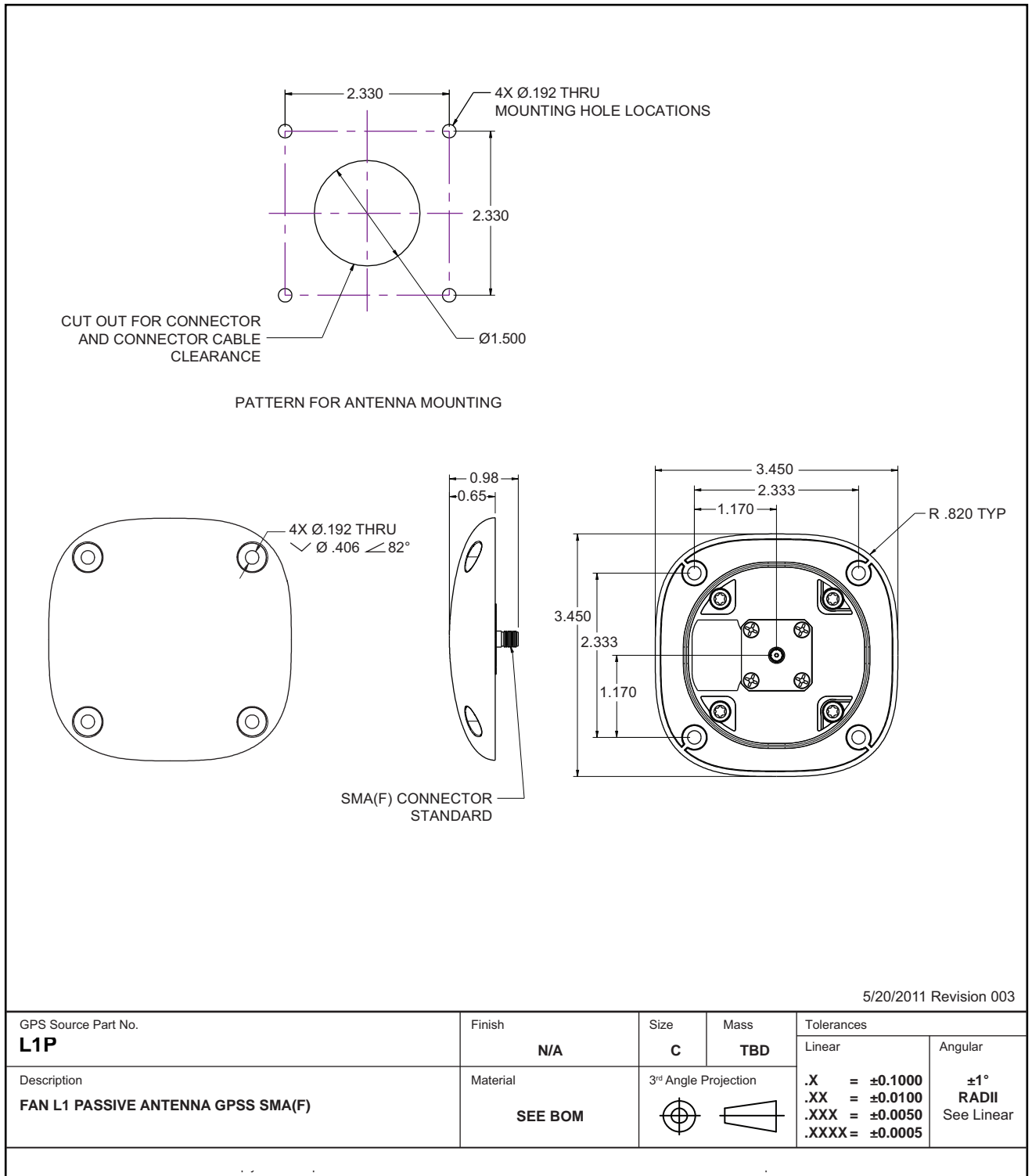
4 Product Code Decoder



- Notes: 1. Contact GPS Source for additional connector options.
 2. To have product/part codes customized to meet exact needs, contact GPS Source at techsales@gpssource.com or visit the website at www.gpssource.com.

5 Mechanical Drawing

5.1 L1P GPS Passive Antenna





GPS LIVE INSIDE

L1P Data Sheet

059-FAN-AAQ-XCX-PXZ-001

Page 6 of 6, 7/20/2014

64 N. Mission Drive
Pueblo West, CO 81007
Phone: (+1)(719) 561.9520
Fax: (+1)(719) 565.0890
techsales@gpssource.com
www.gpssource.com

AS9100C:2009 and ISO 9001:2008 Compliant Company



© 2014 GPS Source, Inc. All rights reserved.

GPS Source, Inc., GPS Live Inside, GPS Source logo, and other GPS Source, Inc. products, brands, and trademarks mentioned in this document are property of GPS Source, Inc. and/or its affiliates in the United States and/or other countries. Other products, brands, and trademarks are property of their respective owners/companies. Any rights not expressly granted herein are reserved.

DISCLAIMER: The materials in this document could include inaccuracies or typographical errors and are subject to change at any time. The materials are provided "as is" without warranty of any kind. To the maximum extent permitted by applicable law, GPS Source, Inc. and its suppliers hereby disclaim all warranties, either expressed or implied, and conditions with respect to the materials, their quality, performance, suitability, merchantability, fitness for a particular purpose, title, and non-infringement. LIMITATION OF LIABILITY: IN NO EVENT WILL GPS SOURCE, INC. AND ITS SUPPLIERS BE LIABLE FOR INDIRECT, SPECIAL, INCIDENTAL, OR CONSEQUENTIAL DAMAGES, WHETHER IN AN ACTION OF CONTRACT OR TORT, ARISING OUT OF THE USE OR INABILITY TO USE THE MATERIALS AVAILABLE IN THIS DOCUMENT, EVEN IF ADVISED OF THE POSSIBILITY OF SUCH DAMAGES. IN PARTICULAR AND WITHOUT LIMITATION, GPS SOURCE, INC. SHALL HAVE NO LIABILITY FOR ANY LOSS OF USE, DATA, INCLUDING THE COSTS OF RECOVERING SUCH DATA, OR PROFITS.