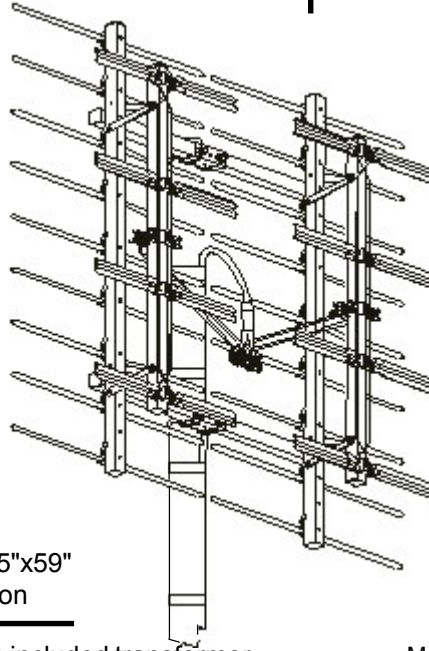


**engineering specifications**

Model HD-8800



**Active Elements** 26  
**Turning Radius** 23"  
**Maximum Width** 45" **Shpg. Weight** 8 lbs.  
**Vertical Height** 34" **Carton Dimensions** 6.25"x6.25"x59"  
**Element Diameter** 3/8" 1 per Carton



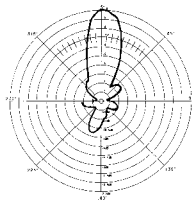
"UPS in shield design is a registered trademark of United Parcel Service of America, Inc. used by permission."

**Output Impedance:** 300 ohm / 75 ohm with included transformer  
**Recommended Preamp:** AP Series

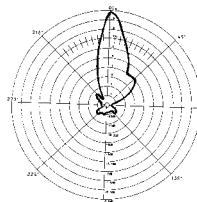
Made in U.S.A.

GAIN	CH.14	CH.32	CH.50	CH.69
dB over reference dipole	10.7dB	12.0dB	11.0dB	12.5dB
beamwidth at half power points	32°	23°	20°	17°
front-to-back ratio	-9dB	-17dB	-11dB	-9dB

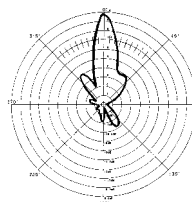
**POLAR PATTERNS**



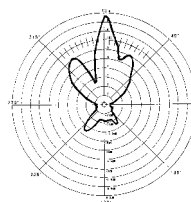
CH.14



CH. 32



CH.50



CH.69