

**FCC CALL SIGN
WPFN981
LOCATION NO. 3**


**FCC ASR: 1027500
Licensed for 143.3 M
(470 ft)**

**ROHN 80HD
Guyed Tower
(450 FEET)**

470'

GROUND ELEV: 53.4 M (175 ft)

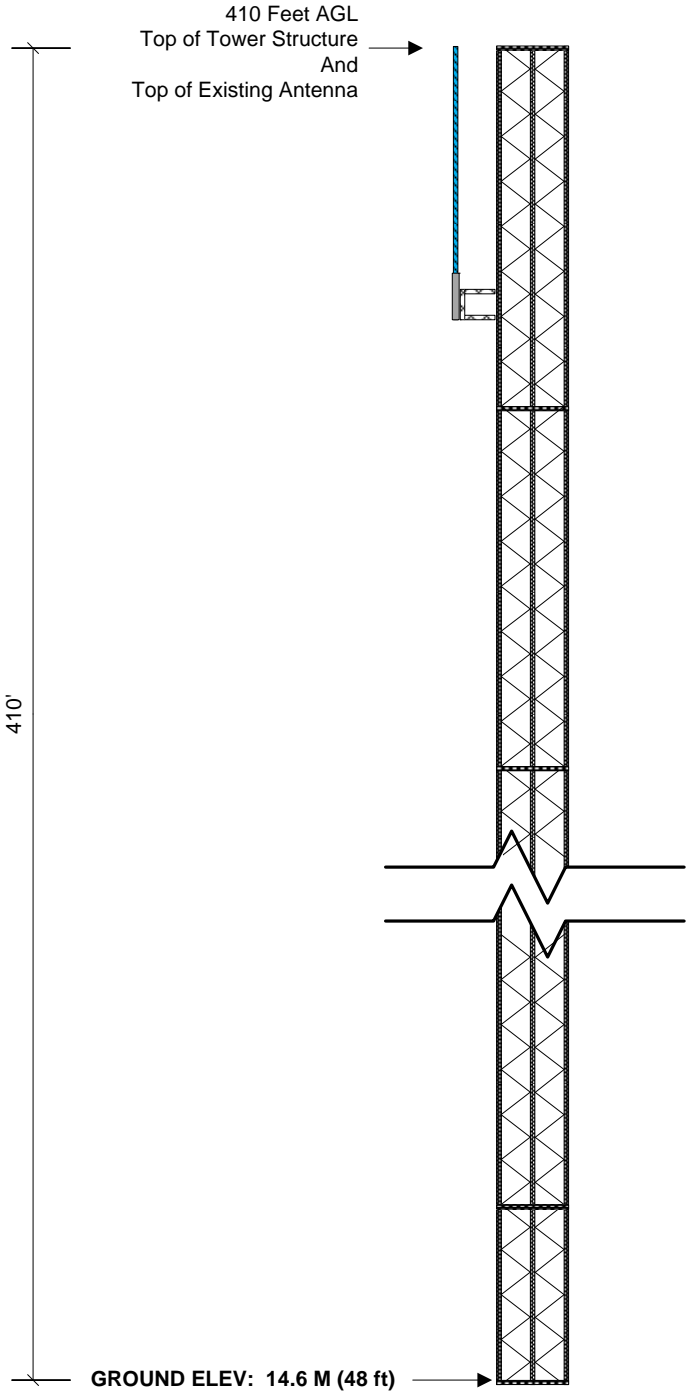


		COMMUNICATIONS SECTION PUBLIC SAFETY & PROFESSIONAL COMMUNICATIONS	FLORIDA POWER & LIGHT 900 MHZ P25 DEMO
PRELIMINARY ENGINEERING SKETCH COMPANY CONFIDENTIAL		LAWTEY TOWER	
PREPARED BY: ROBERT ISBY, JR.		FAA ANTENNA SKETCH	
DATE: APRIL 21, 2016			
SKETCH #: RHIJR-20160421-A		REV. A	SHEET # 1 OF 1

**FCC CALL SIGN
WPXL774
LOCATION NO. 1**

**FCC ASR: 1061069
Licensed for 125.0 M
(410 ft)**


**ROHN 80HD
Guyed Tower
(410 FEET)**



410'

GROUND ELEV: 14.6 M (48 ft)



		COMMUNICATIONS SECTION PUBLIC SAFETY & PROFESSIONAL COMMUNICATIONS	FLORIDA POWER & LIGHT 900 MHZ P25 DEMO
PRELIMINARY ENGINEERING SKETCH COMPANY CONFIDENTIAL		STARKE TOWER	
PREPARED BY: ROBERT ISBY, JR.		FAA ANTENNA SKETCH	
DATE: APRIL 21, 2016		SHEET # 1 OF 1	
SKETCH #: RHIJR-20160421-B		REV. A	SHEET # 1 OF 1