

Elbit Systems of America Request for FCC Experimental License

Form 442 File Number: 0211-EX-CN-2017  
 Form 442 Confirmation Number: EL645154  
 31 March 2017

**Antenna Drawing Exhibit**

This experimental license application includes several locations including Elbit's main Texas facility as well as additional test and demonstration sites in Texas and Arizona.

The main Elbit Systems of America facility is located at 4700 Marine Creek Parkway, Fort Worth, Texas, 76179. The building is a single-story structure located at the intersection of Interstate 820W and Marine Creek Parkway. There are no immediate adjacent properties. The Tarrant County Community College campus buildings are located on the other side of Marine Creek parkway approximately .5 mile from the EFW main building. Residential areas are approximately .5 miles north of the ESA campus. The Meacham Airport is located approximately 2 miles from the ESA campus. The FOPEN antenna will be mounted on a sensor platform which will be located on the main building roof, elevated approximately 10 feet to transmit (see Figure 1 below).

The remaining sites are located in rural areas with the radar antenna located on either a fixed or portable tower height of 26 m to 38.3 m. Table 1 shows all the antenna locations and their heights above ground, distance to the nearest airport, and the terrain height for each site. Figures 1 through 3 illustrate the antenna structures for the Ft Worth, McAllen, and Marana and Sonoita sites, respectively.

**Table 1 – Radar Location Details**

Site Location			Latitude			Longitude			Antenna Platform Type	Antenna Height	Airport Distance	Terrain Height
City	State, zip	County	deg	min	sec	deg	min	sec		m	km	m
McAllen	TX 78503	Hidalgo	26	8.0	1.3	98	17.3	18.2	Portable Tower	32.9	6.25	32
McAllen	TX 78503	Hidalgo	26	7.9	51.6	98	16.5	27.3	Portable Tower	32.9	6.25	32
Marana	AZ 85658	Pima	32	25.4	21.7	111	8.2	13.7	Fixed Tower	38.3	7.5	644
Fort Worth	TX 76179	Tarrant	32	49.8	50.9	97	23.0	1.9	Fixed Platform	13.6	3.2	219
Sonoita	AZ	Cochise	31	22.4	23.8	110	21.3	15.7	Fixed Tower	26.1	23	1704
Sonoita	AZ	Cochise	31	21.5	32.9	110	18.2	9.9	Fixed Tower	26.1	25	1794
Sonoita	AZ	Cochise	31	21.0	59.5	110	17.1	8.3	Fixed Tower	32.2	27	2009

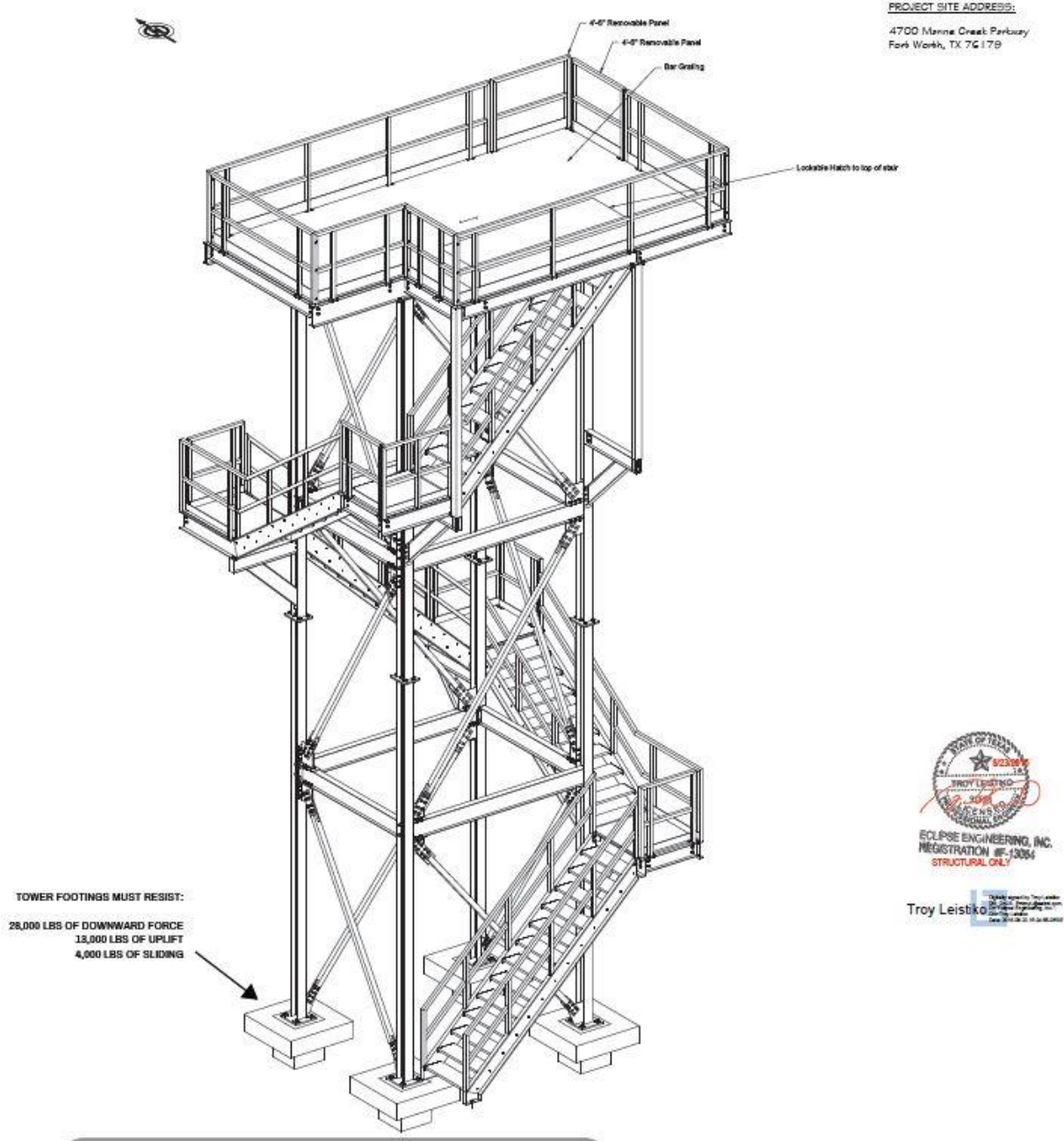
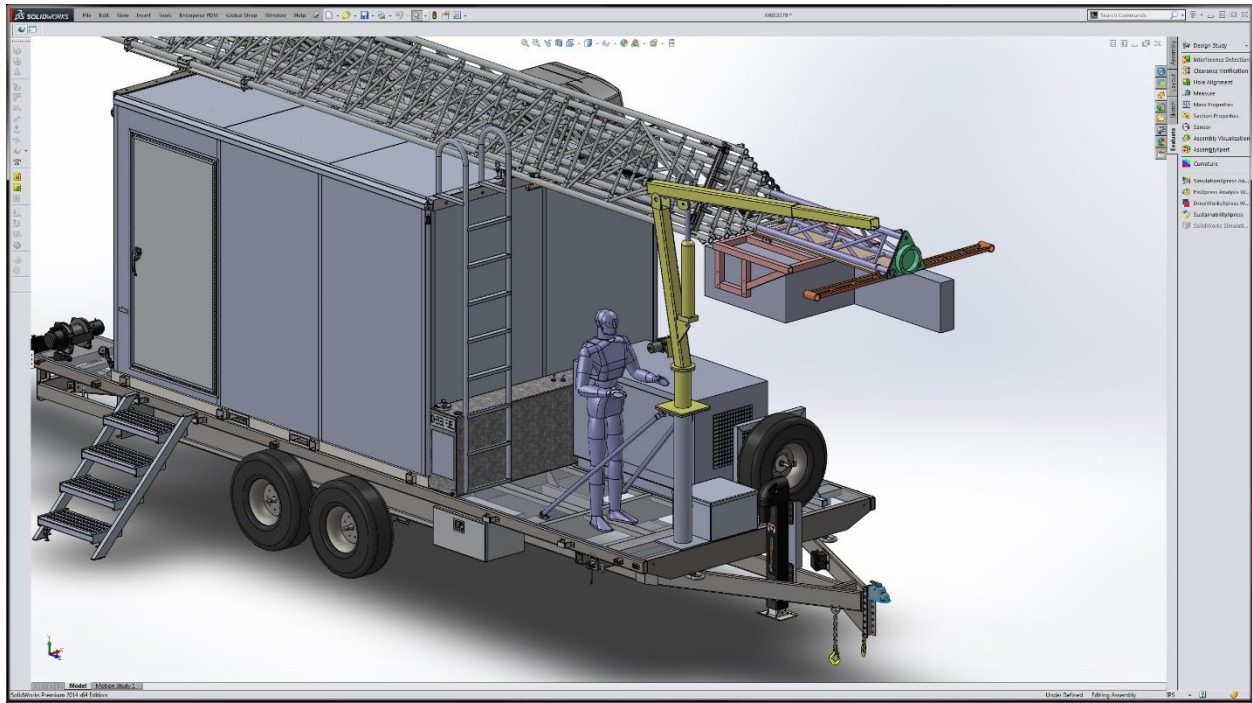


Figure 1 – Fixed Platform Structure – Fort Worth, Tx (13.6m total antenna height above ground)



**Figure 2 – Portable Tower –McAllen, Tx (32.9m total antenna height above ground when fully extended)**

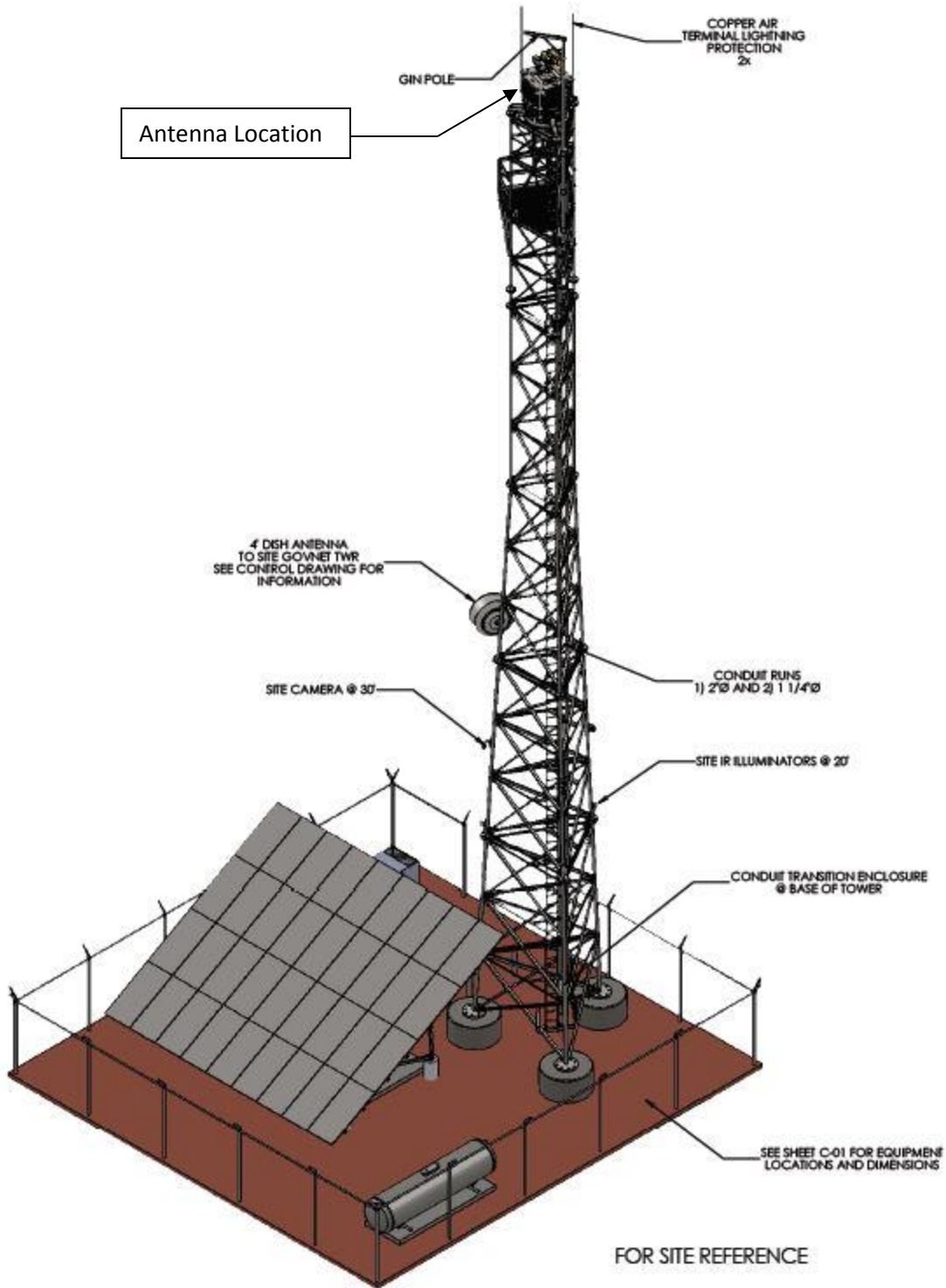


Figure 3 – Fixed Tower Structure – Marana and Sonoita, AZ Sites (26.1 m and 38.3 m, respectively, total antenna height above ground)