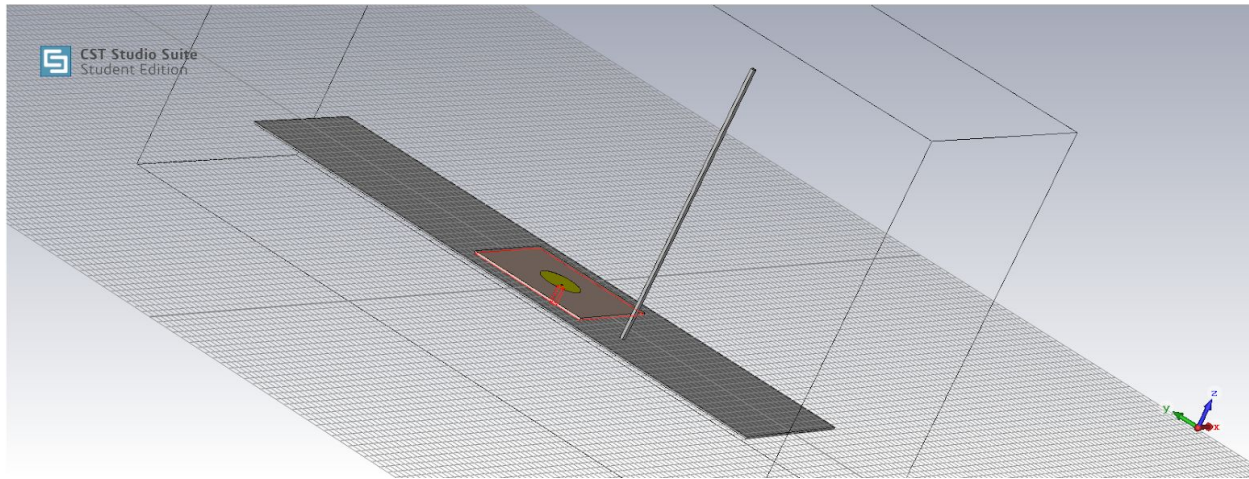
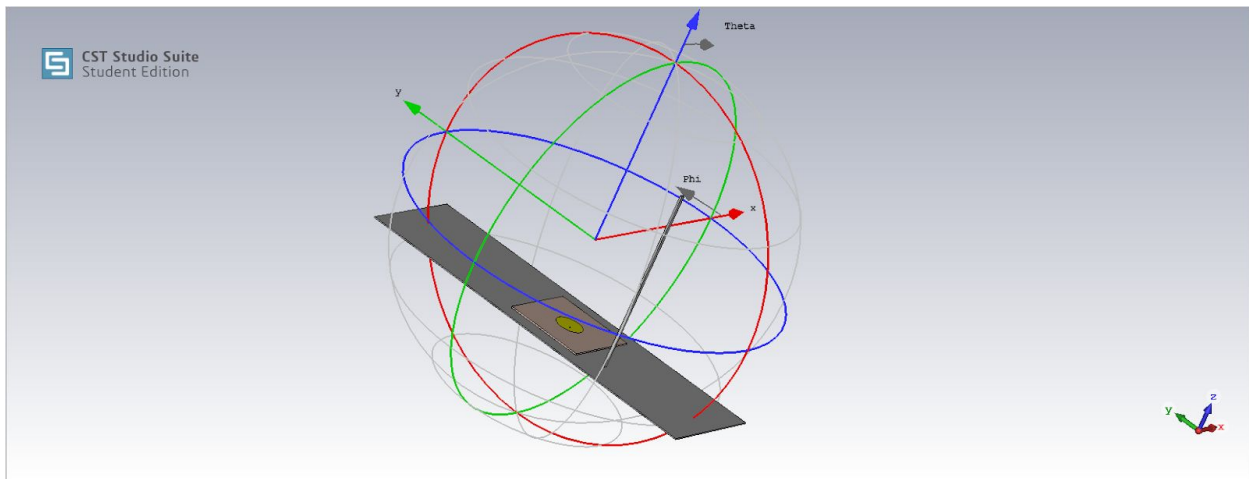


REAL S-Band Antenna Pattern

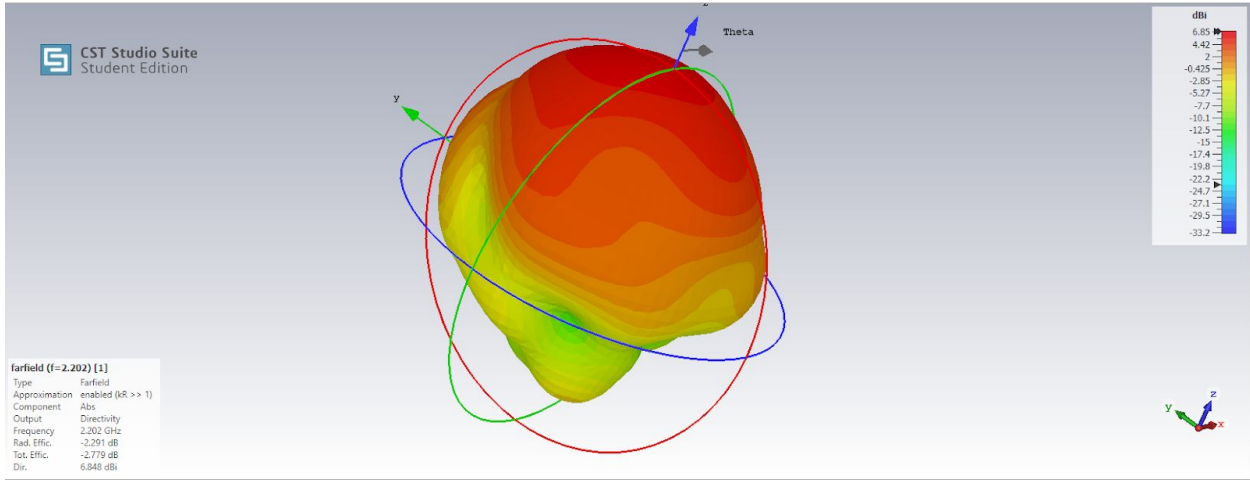
Modeled Patch Antenna on spacecraft wall with UHF antenna included in FOV



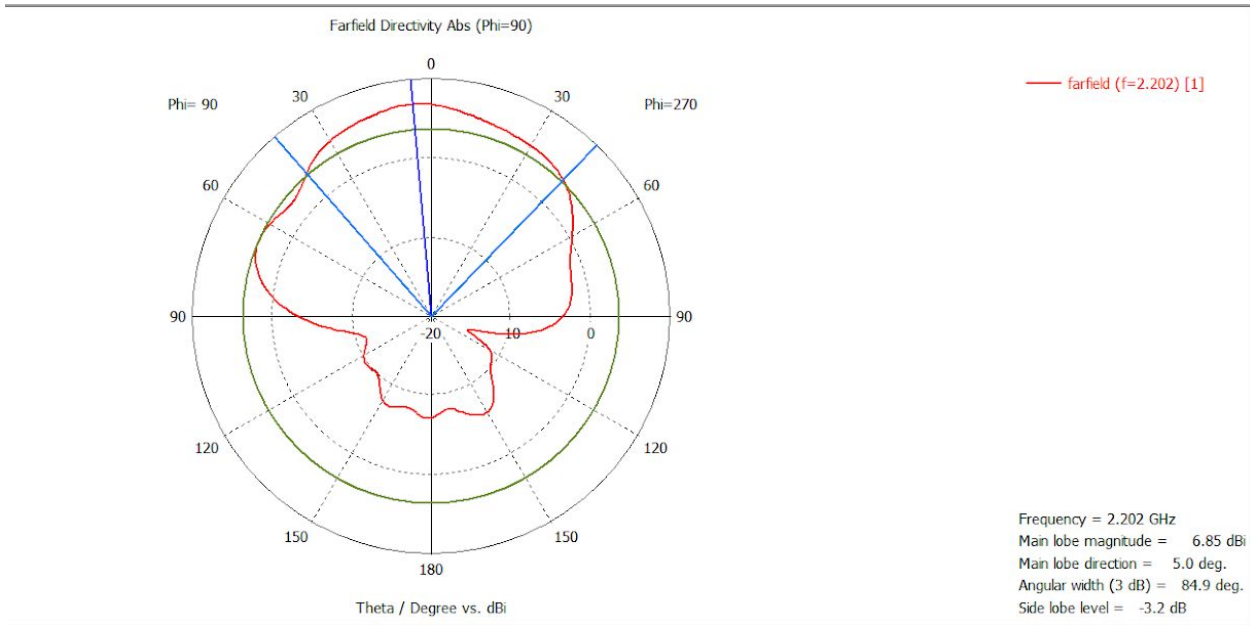
Coordinate System



3D Antenna Pattern



Antenna Pattern for Phi=90 degrees



Antenna Pattern for Theta=90 degrees



Frequency Response

