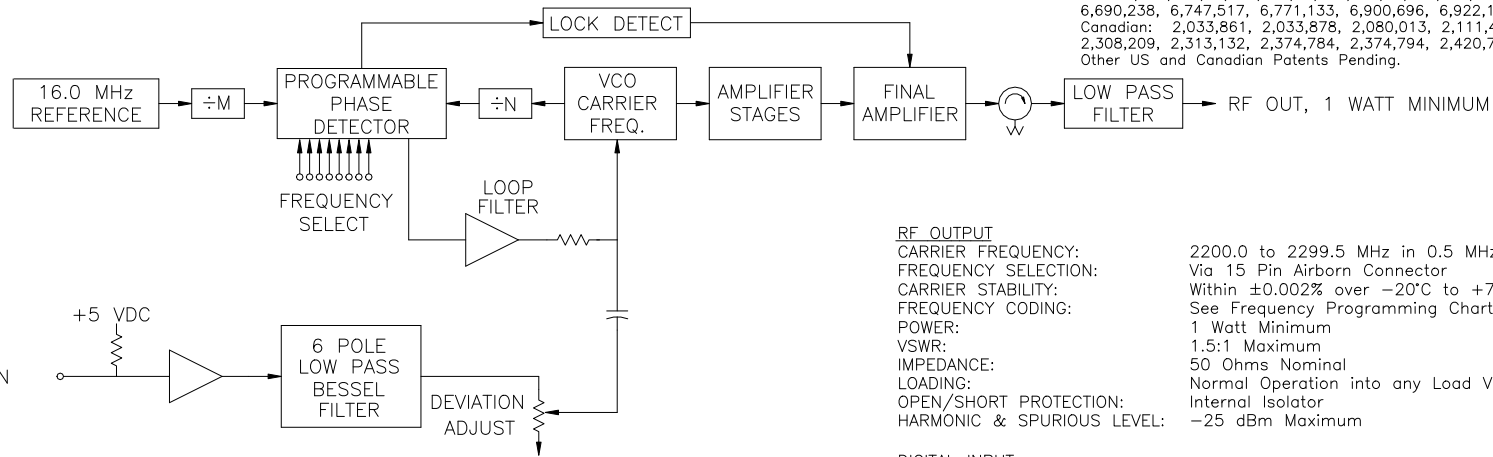


Protected by One or More of the following Patents:
 US: 5,097,230, 5,311,152, 5,426,466, 6,404,292, 6,411,237, 6,417,738, 6,650,180, 6,683,499,
 6,690,238, 6,747,517, 6,771,133, 6,900,696, 6,922,106, 7,190,229, 7,936,218, and 8,188,794.
 Canadian: 2,033,861, 2,033,878, 2,080,013, 2,111,486, 2,235,091, 2,299,133, 2,306,977,
 2,308,209, 2,313,132, 2,374,784, 2,374,794, 2,420,710, and 2,432,778.
 Other US and Canadian Patents Pending.



RF OUTPUT
 CARRIER FREQUENCY: 2200.0 to 2299.5 MHz in 0.5 MHz Steps
 FREQUENCY SELECTION: Via 15 Pin Airborn Connector
 CARRIER STABILITY: Within ±0.002% over -20°C to +70°C
 FREQUENCY CODING: See Frequency Programming Chart 051
 POWER: 1 Watt Minimum
 VSWR: 1.5:1 Maximum
 IMPEDANCE: 50 Ohms Nominal
 LOADING: Normal Operation into any Load VSWR and Phase Angle
 OPEN/SHORT PROTECTION: Internal Isolator
 HARMONIC & SPURIOUS LEVEL: -25 dBm Maximum

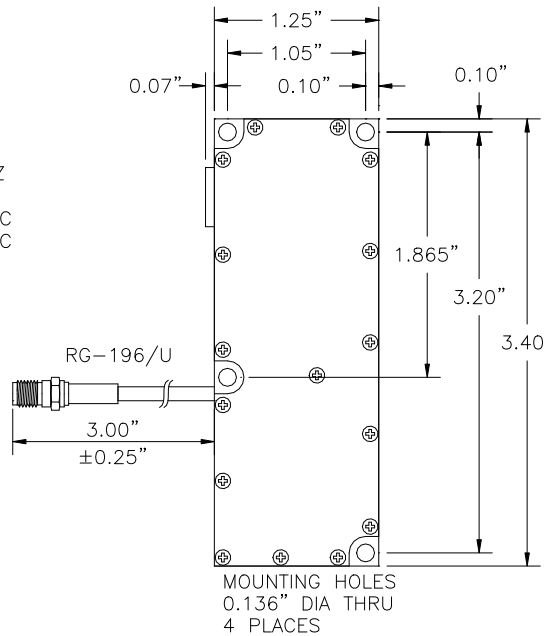
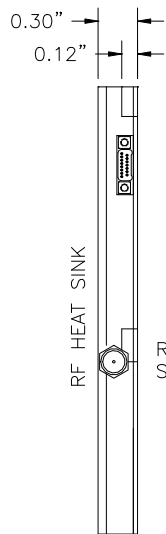
DIGITAL INPUT LEVELS: TTL Compatible
BIT RATE: 100 Bits/Sec to 15 MBits/Sec Maximum (Specify)
CONDITIONING: 6 Pole Bessel Low Pass Filter
 Factory Set to 0.70 X Specified Bit Rate
DEVIATION: Factory Set to ±0.35 X Specified Bit Rate
DEVIATION NON-LINEARITY: 1.0% Maximum BSL for ±0.35 X Specified Bit Rate
INCIDENTAL AM: 5% Maximum
INCIDENTAL FM: 10 KHz RMS Maximum
INPUT IMPEDANCE: 10 KOhms to +5 VDC


POWER REQUIREMENTS
INPUT VOLTAGE: +12 +4.5/-1.5 VDC: Reverse Polarity Protected
INPUT CURRENT: 650 Milliamps Maximum
ON/OFF CONTROL: Ground to Transmit

ENVIRONMENTAL SPECIFICATIONS
TEMPERATURE: Operating: -20°C to +70°C; Storage: -55°C to +125°C
VIBRATION: 14 G's, Random, Standard Haystack, 20 Hz to 2 KHz, 3 Axes
SHOCK: 1/2 Sine, 100 G's Pk, 11 mS, 3 Axes
ACCELERATION: 100 G's, 3 Axes
ALTITUDE: Unlimited
HUMIDITY: To 95% at any Temperature forming Frost or Condensation

PHYSICAL CHARACTERISTICS
DIMENSIONS: Per Outline Drawing
WEIGHT: 2 oz. Maximum

- POWER/MOD/FREQ SELECT
 AIRBORN NM-222-015
 -261-THAA-135
 PIN # 1: N/C
 2: 64 MHZ
 3: 32 MHZ
 4: 16 MHZ
 5: 8 MHZ
 6: 4 MHZ
 7: 2 MHZ
 8: 1 MHZ
 9: 0.5 MHZ
 10: TTL IN
 11: +12 VDC
 12: +12 VDC
 13: ON/OFF
 14: GND
 15: GND



ISSUE DATE	09 01 22	 EMHISER RESEARCH, INC. 2705 OLD HIGHWAY 40 WEST TEL: 775-345-2705 P.O. BOX 189 VERDI, NEVADA FAX: 775-345-2484 89439-0189 U.S.A. EMAIL: INFO@EMHISER.COM
DWN	L3	
APVD DATE	DIGITAL TRANSMITTER, 1 WATT	
APVD	CHANNELIZED, AC COUPLED 2200.0 TO 2299.5 MHZ	
CAGE CODE IDENT NO.	60666	MODEL NO. EDTC-01E1A102-00 