

COMTELCO

Technical Specification

BSAX380-6-120

375-400 MHz 6dBd Gain 120° Sector

BASE STATION ANTENNA

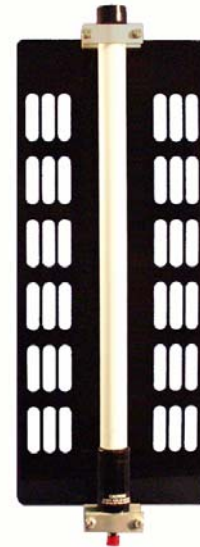
Reliable Performance: Rated at 250 watts and 6dB gain, you can expect years of continuous service. This antenna provides 120° coverage at full gain.

Rugged Construction: The radiating elements are constructed of copper & copper alloy. They are encased in a fiberglass radome for total environmental protection. The assembly is designed to withstand winds of over 125 MPH.

Weatherproof: The fiberglass radome is ultraviolet inhibited. The reflector assembly is epoxy powder coated aluminum for superior weather protection.

Installation: All hardware for installation on an existing 2 ½" diameter mast or tower leg is supplied.

Heavy duty galvanized steel hardware and downtilt hardware options are optional.



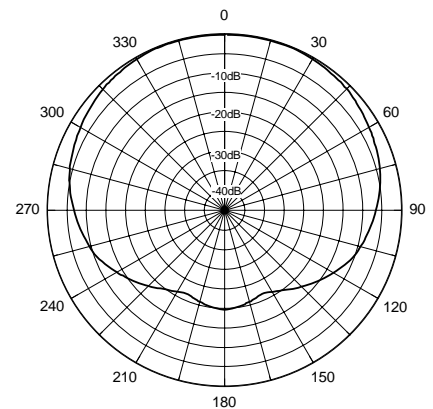
ELECTRICAL SPECIFICATIONS:

| | |
|-----------------------|--|
| FREQUENCY: | 375-400MHz |
| GAIN: | 6dBd |
| VSWR: | <2:1 |
| BANDWIDTH: | >20 MHz |
| FRONT TO BACK: | >17 dB |
| POWER RATING: | 250 watts |
| BEAMWIDTH: | Vert: 30 degrees Horiz: 120 degrees |
| IMPEDANCE: | 50 ohms |

MECHANICAL SPECIFICATIONS:

| | |
|-------------------------|-------------------------------------|
| RADIATOR: | Internal copper alloy elements |
| REFLECTOR ASSY: | Powder coated aluminum 30" H x12" W |
| RADOME: | White UV inhibited fiberglass |
| TERMINATION: | Female N |
| LENGTH: | 30" |
| WIDTH: | 12" |
| WEIGHT: | 12 lbs. |
| FLAT PLATE AREA: | 2 ft ² |
| WIND RATING: | 125 MPH |
| LATERAL THRUST: | 135 lbs. |

Horizontal Pattern



Vertical Pattern

