

# COMTELCO

## Technical Specification

BSAX380-6-120

### 375-400 MHz 6dBd Gain 120° Sector

### BASE STATION ANTENNA

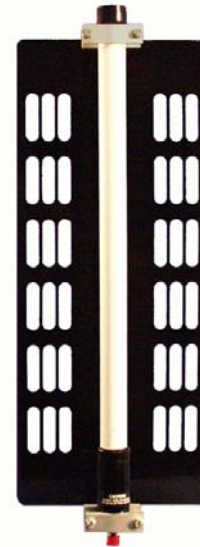
**Reliable Performance:** Rated at 250 watts and 6dB gain, you can expect years of continuous service. This antenna provides 120° coverage at full gain.

**Rugged Construction:** The radiating elements are constructed of copper & copper alloy. They are encased in a fiberglass radome for total environmental protection. The assembly is designed to withstand winds of over 125 MPH.

**Weatherproof:** The fiberglass radome is ultraviolet inhibited. The reflector assembly is epoxy powder coated aluminum for superior weather protection.

**Installation:** All hardware for installation on an existing 2 ½" diameter mast or tower leg is supplied.

Heavy duty galvanized steel hardware and downtilt hardware options are optional.



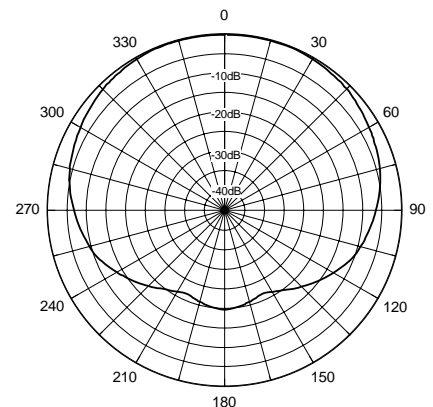
#### ELECTRICAL SPECIFICATIONS:

<b>FREQUENCY:</b>	375-400MHz
<b>GAIN:</b>	6dBd
<b>VSWR:</b>	<2:1
<b>BANDWIDTH:</b>	>20 MHz
<b>FRONT TO BACK:</b>	>17 dB
<b>POWER RATING:</b>	250 watts
<b>BEAMWIDTH:</b>	Vert: 30 degrees Horiz: 120 degrees
<b>IMPEDANCE:</b>	50 ohms

#### MECHANICAL SPECIFICATIONS:

<b>RADIATOR:</b>	Internal copper alloy elements
<b>REFLECTOR ASSY:</b>	Powder coated aluminum 30" H x12" W
<b>RADOME:</b>	White UV inhibited fiberglass
<b>TERMINATION:</b>	Female N
<b>LENGTH:</b>	30"
<b>WIDTH:</b>	12"
<b>WEIGHT:</b>	12 lbs.
<b>FLAT PLATE AREA:</b>	2 ft <sup>2</sup>
<b>WIND RATING:</b>	125 MPH
<b>LATERAL THRUST:</b>	135 lbs.

**Horizontal Pattern**



**Vertical Pattern**

