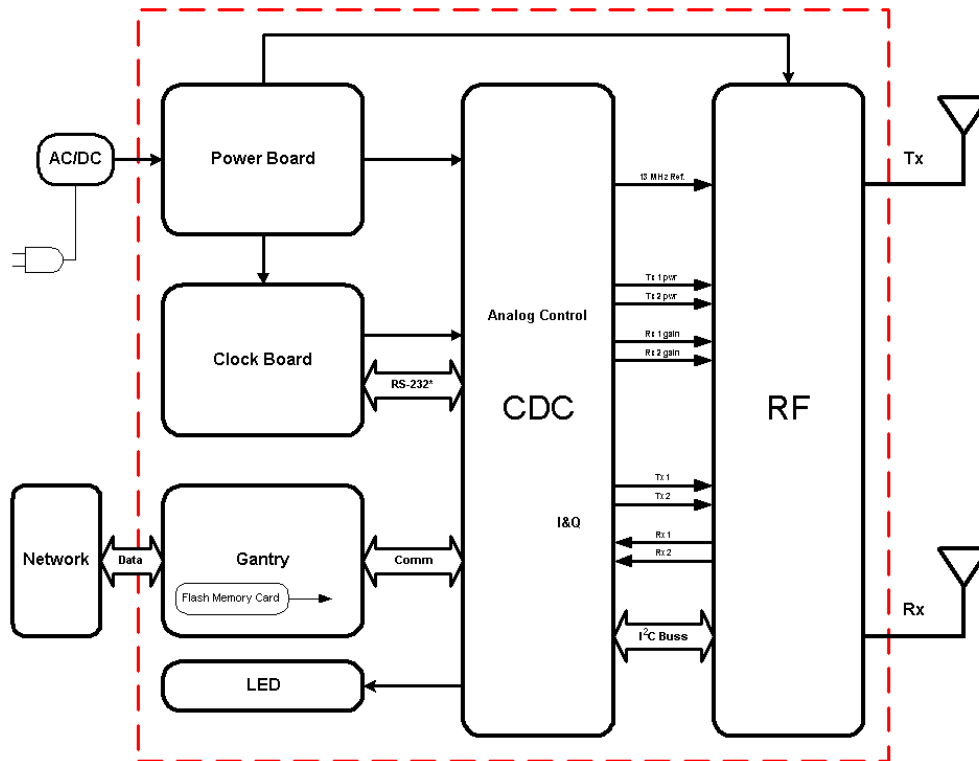


Federal Communications Commission,

Cisco Systems, Inc. has developed a GSM Pico BTS which interfaces directly with an IP network to provide private VoIP for corporate networks. Cisco acquired a private company formerly known as JetCell (May 2000). JetCell developed a GSM1900 product for the North American market. That product has been developed and is now being marketed.

We are now in the process of beginning to develop a GSM1800 model for the European market. The product line is now called MNET (Mobile Network Enterprise Telephony) this solution includes the overall solution in terms of the IP network equipment and Pico BTS's. The total solution allows corporations and service providers the ability to offer a private wireless network for employees with no service charge. The system uses standard GSM phones, which can be switched to the public network once outside the building and the enterprise environment.



Simplified Block Diagram of Pico-BTS