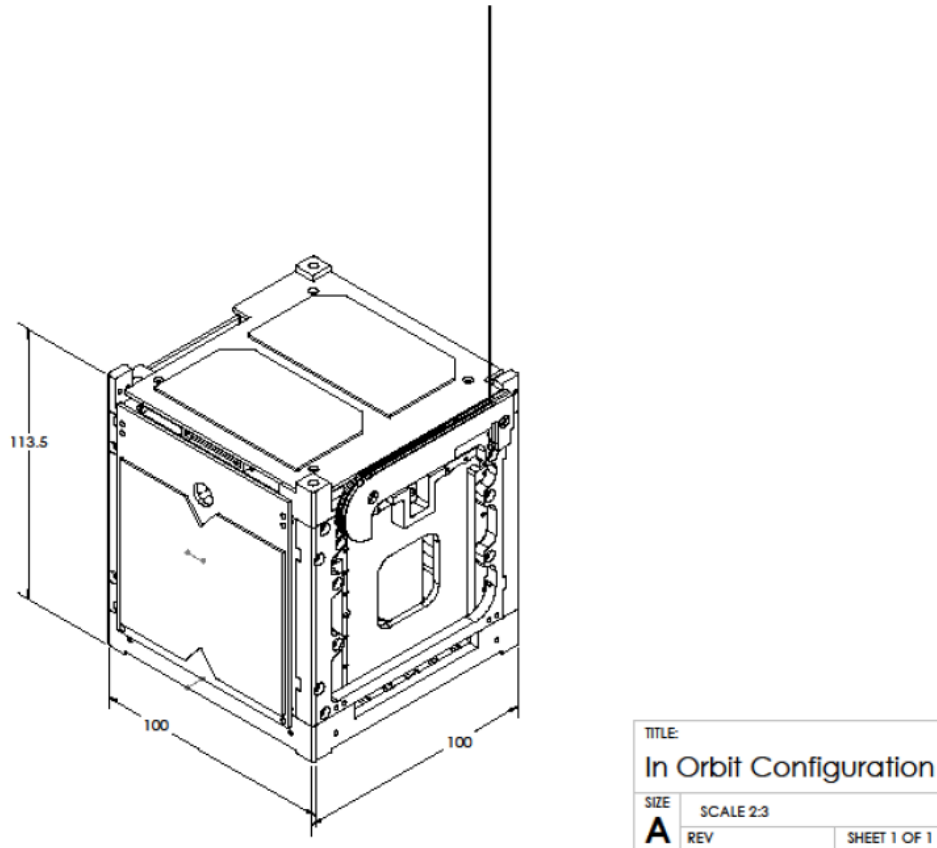


IPEX CubeSat Description Cal Poly – 1U



IPEX Dimensions

IPEX will validate direct broadcast, autonomous science, and product delivery technologies supporting TRL advancement of the Intelligent Payload Module (IPM) targeted for the proposed Hyperspectral Infrared Imager (HyspIRI) Earth science decadal survey mission. Specifically, IPEX will validate a method for 20x reduction in Gbps instrument raw data rate as well as validate Web-based autonomous payload operations with event/overflight-based product generation.

IPEX utilizes a UHF communication system which is necessary to uplink commands and downlink data containing spacecraft health as well as payload test results.