

The BMT75 is a powerful, frequency agile video transmitter ideal for medium/long range portable, mobile, and airborne applications.

This transmitter is commonly installed in helicopters, at the top of pneumatic masts in OB trucks, and on portable tripods. For long range coverage from helicopter the unit can be set on a high power setting whereas its low power setting is useful for short/medium range coverage.

The transmitter requires a heat sink for proper operation. Order heat sink separately.

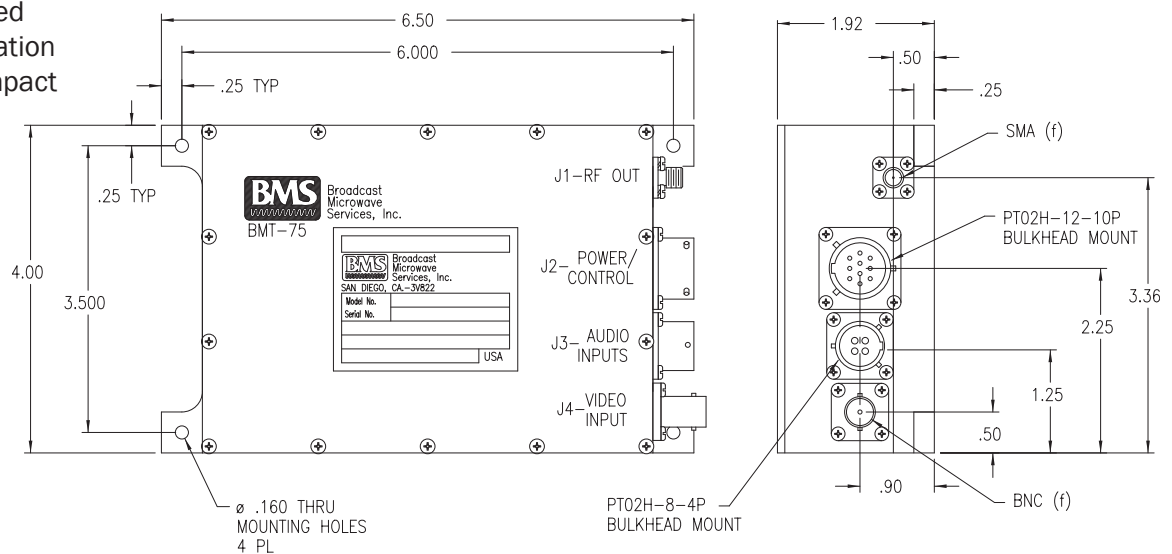
Applications:

- ▶ Aerial Vehicle to Studio
- ▶ ENG Truck to Studio
- ▶ Tripod Mounted
- ▶ Any Mobile Use

Key Features

- ▶ Frequency Agile
- ▶ Remote Control
- ▶ 2 Phase Locked Audio Subcarriers
- ▶ Line Level Audio Inputs
- ▶ Mic Level Audio Optional
- ▶ Selectable RF Power Output
- ▶ FCC Type Accepted
- ▶ 11-32 VDC Operation
- ▶ Rugged and Compact

Ordering Info	BMT75-5P	BMT75-7P	BMT75-9P
Freq. Range	1.9-2.11 GHz	1.99-2.5 GHz	6.4-7.2 GHz
No. Channels	21	30 (64 Int'l)	42
RF Power Out	2/10W	2/10W	6W



All Data Subject to Change Without Notice

Broadcast Microwave Services, Inc.
12367 Crosthwaite Circle - Poway, California 92064 - U.S.A.
Tel: +1-858-391-3050, Toll Free (U.S.): 800-669-9667
Fax: +1-858-391-3049, Website: www.bms-inc.com
E-mail: sales@bms-inc.com

RF Characteristics - For Frequency Range See Ordering Information	
Number of Channels	See Ordering Information
Freq. Stability - Standard	± 0.002%
Freq. Stability - Optional	± 0.001%
RF Output Power	See Ordering Information
RF Output Impedance	50Ω, SMA Connector
RF Output Protection	Open/Short/Indefinitely

Modulation Characteristics	
Modulation Types	FM
Modulation Response - Standard	NTSC, 525 Lines
Modulation Response - Optional	PAL, SECAM, or FLAT
Pre-emphasis - Standard	CCIR 405, 525 Lines
Pre-emphasis - Optional	625 Lines or None
Modulation Sensitivity	± 4 MHz/1 VPP @ Cross-over Frequency
Modulation Input Impedance	75Ω Unbalanced
Baseband Input	1 Vpp

FCC Identifier: CNV75K-BMT75-5P, -7P, -9P	
• Part 21.801 (b) - Common Carrier	
• Part 74 - Auxiliary Broadcast Services	
• Part 78 - CARS Services	

DC Input Characteristics	
DC Input Voltage	+11 to +32 VDC
DC Input Current	2-7.5A, Voltage Dependant

Physical Characteristics	
Dimensions (Excluding Connectors)	6.5" x 4" x 1.92" (16.5 x 10.2 x 4.9 cm)
Weight	2.9 lbs. (1.3 kg)

Subcarrier Characteristics	
Subcarrier Frequencies	4.83 to 8.59 MHz, Factory Set
Subcarrier Injection Level	-25 dBc to -30 dBc
Signal to Noise	65 dB
Harmonic Distortion	1% Max
Modulation Type	FM
Modulation Response - Standard	50 Hz to 15 kHz
Modulation Response - Standard, Pre-emphasis	75 μsec
Modulation Response - Standard, Sub. Deviation	75 kHzp
Modulation Response - Optional	50 Hz to 50/100 kHz
Modulation Response - Optional, Pre-emphasis	50 μsec, None
Modulation Response - Optional - Sub. Deviation	100 kHzp, 125 kHzp

Available Accessories	
• TCB-100 Control Box for Remote Channel Select	
• TCP-100 Truck Control Panel	
• HS-75 Heatsink for all Series 75 Models	
• HSF-75 Heatsink/Fan for all Series 75 Models	
• HCP-50/HCP-100 Helicopter Control Panels for Remote Channel Select	

Environmental Characteristics	
Temperature Range	-30° to +70°C, Baseplate Temp.
Humidity	0% to 100% Non-Condensing