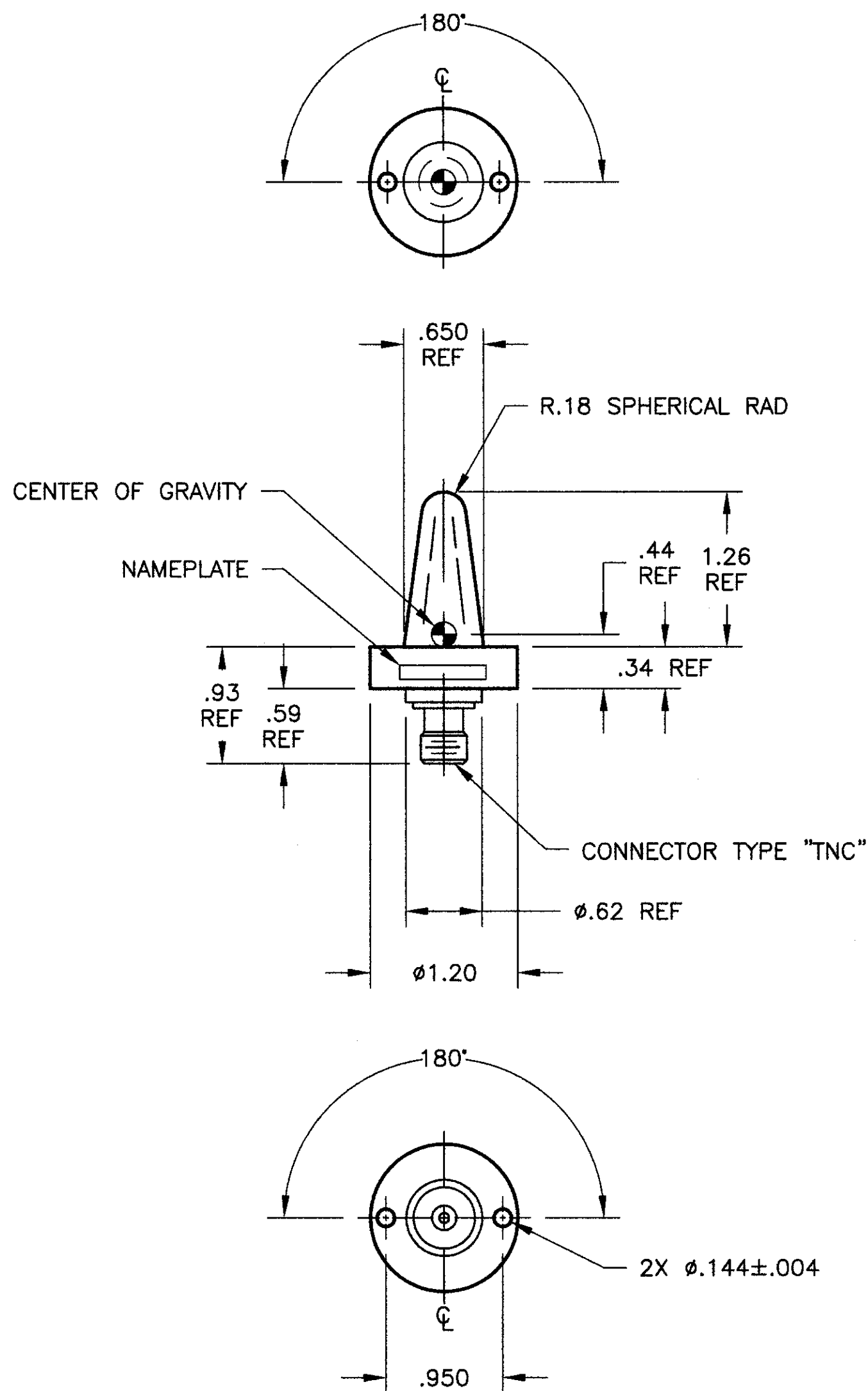


THE INFORMATION AND DESIGN DISCLOSED HEREIN WAS ORIGINATED BY AND IS THE PROPERTY OF SENSOR SYSTEMS, INC. SENSOR RESERVES ALL PATENT, PROPRIETARY, DESIGN, MANUFACTURING, REPRODUCTION USE AND SALES RIGHTS THERETO AND TO ANY ARTICLE DISCLOSED THEREIN, EXCEPT TO THE EXTENT RIGHTS ARE EXPRESSLY GRANTED TO OTHERS. THE FOREGOING DOES NOT APPLY TO VENDOR PROPRIETARY PARTS.

REVISION HISTORY					
REV	DESCRIPTION	ECO	DATE	APPROVED	
A	DIM .95 REF WAS: 1.09 REF; DIM .61 REF WAS: .75 REF	ECO 4268	8/9/00	MIR	FN
B	ADD CEN OF GRAVITY	ECO 5566	11/15/06	MAV	RAL
C	CORRECT REF DIMS-- .93 REF WAS: .95, .59 REF WAS: .61 & .44 REF WAS: .44	ECO 5662	3/28/07	MAV	RAL
D	CHG BOTTOM VIEW DIM FR: .144 DIA TYP TO: 2X ϕ .144 \pm .004	ECO 7832	10/18/11	MAV	<i>[Signature]</i>



SPECIFICATIONS

ELECTRICAL

VSWR	FREQUENCY
$\leq 2.3:1$	2.0 - 2.1 GHz
$\leq 2.0:1$	2.1 - 2.7 GHz
$\leq 2.3:1$	2.7 - 4.0 GHz
RADIATION PATTERNS	OMNIDIRECTIONAL
POLARIZATION	VERTICAL
IMPEDANCE	50 OHMS
POWER	250 WATTS CONTINUOUS
EFFICIENCY	85%
GAIN	EQUIVALENT TO MATCHED 1/4 WAVE STUB

MECHANICAL

WEIGHT	2.0 OZ
MATERIAL	ALUM ALLOY 6061-T6 & TEFLON RADOME
CONNECTOR	TYPE "TNC" FEMALE
FINISH	IRIDITE AND NATURAL TEFLON

ENVIRONMENTAL

TEMPERATURE	-65°F (-54°C) TO +250°F (121°C)
VIBRATION	10 G's
ALTITUDE	UP TO 70,000 FT

FEDERAL AND MILITARY

DESIGNED TO:	MIL-E-5400
	MIL-E-5272

1. MOUNTING HOLE TWO PLACES TO FIT SCREW SIZE 6-32 THD.

NOTES: UNLESS OTHERWISE SPECIFIED

-2	-1	CAGE CODE	PART OR IDENTIFYING NO.	NOMENCLATURE OR DESCRIPTION	MATERIAL SPECIFICATION	FIND NO.
				PARTS LIST		

PART DASH NO.	NEXT ASSY	USED ON	NEXT FINAL	APPLICATION	UNLESS OTHERWISE SPECIFIED	DRAWN	CHECKED	DESIGN	PROJ ENGR	MECH ENGR	Q.C.	ENGR OFC	APPVL	APPVL	DATE	TITLE	SIZE	CAGE CODE	DWG NO.	REV.
					DIMENSIONS ARE IN INCHES. TOLERANCES ARE: DECIMALS .XX \pm .03 .XXX \pm .010 ANGLES \pm 1°	C.J.G.	B.L.B.						S. ROBIN	M.E. BAZAR	7/20/99 7/23/99 10-14-11 10/19/11 10/14/11 7/28/99 7/28/99	OUTLINE DRAWING S-BAND STUB ANTENNA WIRELESS "LAN" SYSTEM 2.0-4.0 GHz	C	13691	S65-5366-31S	D
					✓ SURFACE TEXTURE PER AMSE B46.1											SCALE 1/1	05366-31SD MAV 130CT11		SHEET 1 OF 1	

Sensor Systems inc. Chatsworth, California 91311