

**Procerus Dipole Antenna**

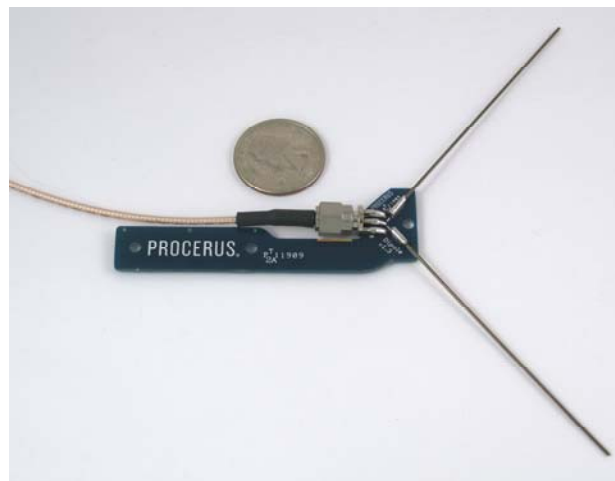


Figure 1 Procerus dipole antenna with SMA connector and mounting tab

**FEATURES**

- Light weight: 4 grams
- Small Size: 0.563" x 1.5" x 0.25"
- Available with SMA connector or with directly soldered coaxial cable (default) for weight and size savings
- Coax cable cut to custom length. Specify when ordering
- Rugged construction with ultra flexible memory wire poles. 105° angle.

**APPLICATION**

- 868 MHz, 900 MHz, UHF, 1.375 GHz, S-Band, C-Band, and L-Band wireless communications.

**DESCRIPTION**

Procerus Dipole wireless communications antennas are extremely light-weight, robust, and flexible and can be ordered for a wide variety of communication frequencies. Each antenna comes with a removable mounting tab for easy installation. In addition, each antenna is individually impedance matched to maximize communication range.

The space and weight saving nature of the Procerus Dipole wireless communications antennas makes them ideal for communications and video data transmission from onboard small and light-weight UAV platforms.

➤ Kestrel, Virtual Cockpit, and OnPoint are trademarks of Procerus Technologies

**ABSOLUTE MAXIMUM RATINGS**

Operating Temperature Range .....-55°C to 100°C  
 Storage Temperature Range .....-55°C to 100°C  
 Input RF Power\*\* ..... 5W  
 Humidity ..... 5% to 95%, no condensing

\*\* derate linearly to 2.5W at 100°C

Stresses above those listed under the Absolute Maximum Ratings may cause permanent damage to this device. This is a stress rating only; functional operation of this device at these or any other conditions above those indicated in the operational section of this specification are not implied. Exposure to absolute maximum rating conditions for extended periods may affect device reliability

## PHYSICAL CHARACTERISTICS

Parameter	Conditions	Typ	Units
Dimensions		0.563" x 1.5" x 0.25"	Inches
Weight		4	Grams

## TYPICAL APPLICATION

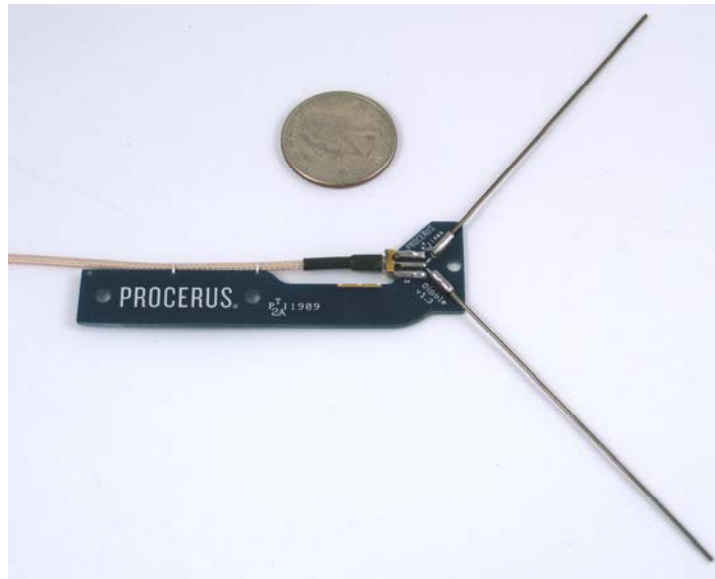


Figure 2 Procerus dipole antenna with mounting tab

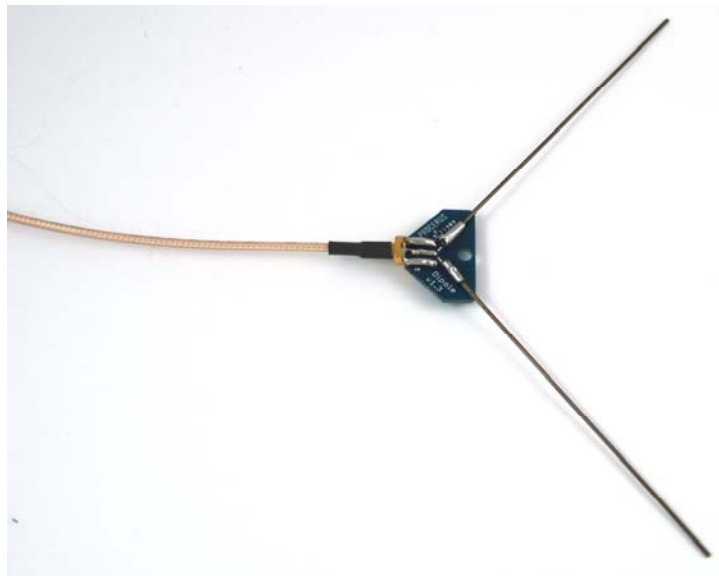


Figure 3 Procerus dipole antenna without mounting tab

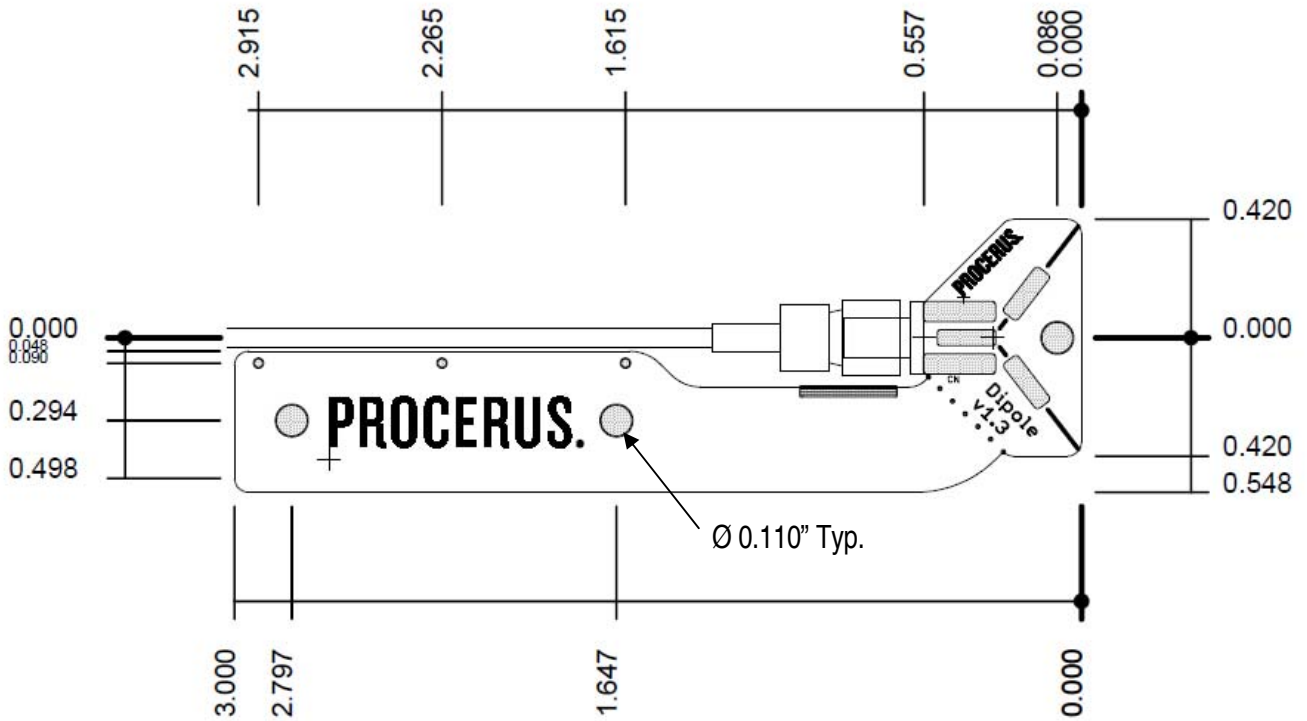


Figure 4 Drawing of Procerus dipole antenna (units in inches)

## RELATED PARTS

The following table contains parts that may be used with the Servo Expansion Board. These parts can be purchased from Procerus Technologies or distributors like Digikey or Mouser.

Part Number	Manufacturer	Description	Comments
RMX-9010-1A	<a href="http://www.hdcom.com">www.hdcom.com</a>	Right Angle MMCX Crimp Plug A for RG-178/U	Coaxial Cable Connector