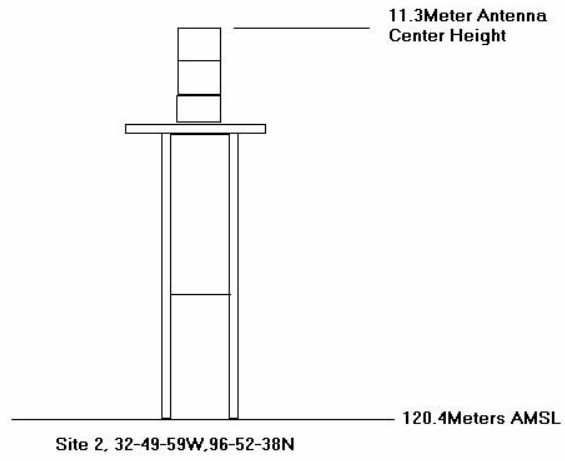


Site Diagram: Site 2



Site 2 Antenna On the Right