

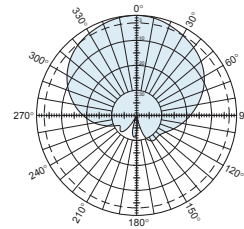
Kathrein wideband X-polarized antennas are designed for use in PCS, WCS, Wi-Fi, and WiMAX polarization diversity systems.

- X-polarized (+45° and -45°).
- UV resistant pulltruded radomes.
- Wideband vector dipole technology.
- DC Grounded metallic parts for impulse suppression.

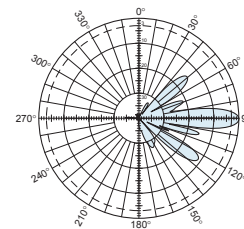
General specifications:

Frequency range	1710–2690 MHz
VSWR	<1.5:1
Impedance	50 ohms
Intermodulation (2x20w)	IM3: <-150 dBc
Polarization	+45° and -45°
Connector	4 x 7-16 DIN female
Electrical downtilt	0°–12° (continuously adjustable) (manual or remote control)
Isolation, between ports	>30 dB
Maximum input power	300 watts (at 50°C) per input
Weight	39.7 lb (18 kg) 44.1 lb (20 kg) clamps included
Dimensions	55.7 x 12.7 x 2.8 inches (1415 x 323 x 71 mm)
Wind load	at 93 mph (150kph)
Front/Side/Rear	162 lbf / 38 lbf / 167 lbf (720 N) / (165 N) / (740 N)
Mounting category	M (Medium)
Wind survival rating*	120 mph (200 kph)
Shipping dimensions	67.2 x 13.3 x 4.4 inches (1706 x 337 x 112 mm)
Shipping weight	48.5 lb (22 kg)
Mounting	Fixed mounts for 2 to 4.6 inch (50 to 115 mm) OD masts are included and tilt options are available.

See reverse for order information.



Horizontal pattern
±45°- polarization

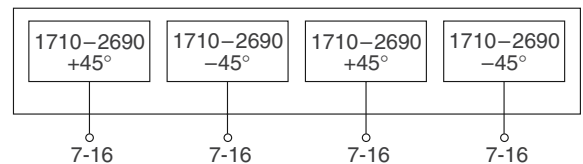


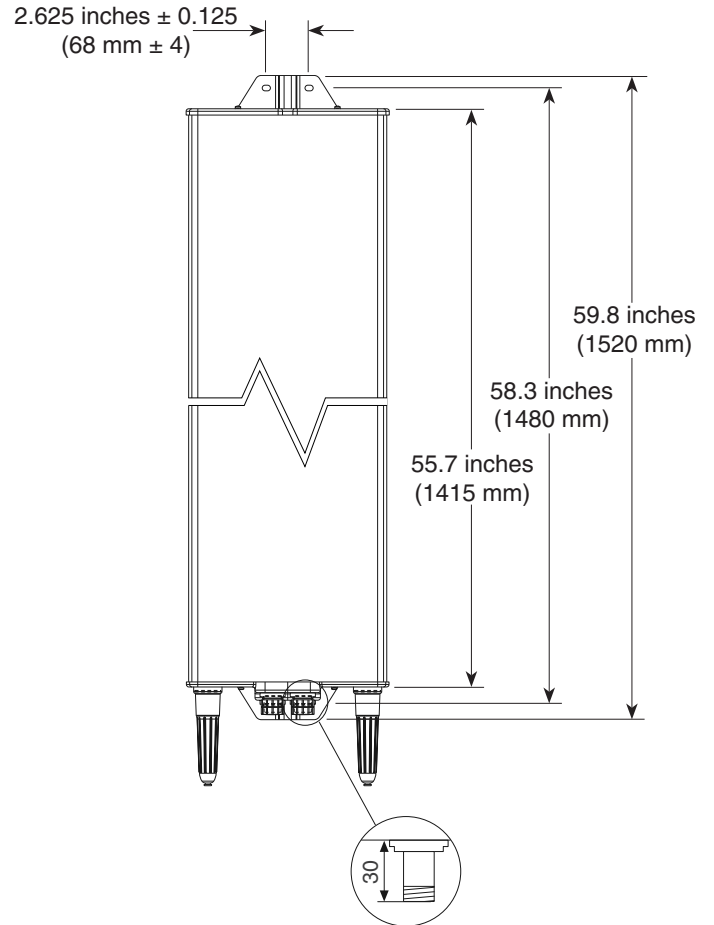
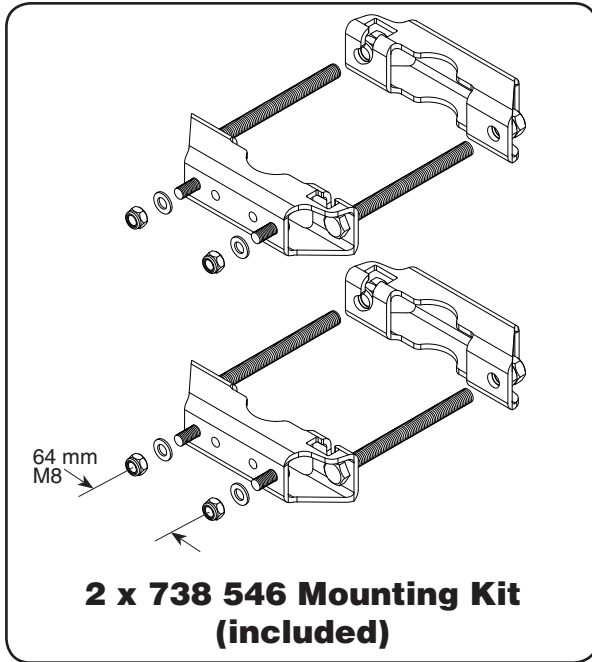
Vertical pattern
±45°- polarization
0°–12° electrical downtilt



Specifications:	1710–1990 MHz			1920–2200 MHz			2200–2490 MHz			2490–2690 MHz		
	0°	6°	12° T	0°	6°	12° T	0°	6°	12° T	0°	6°	12° T
Gain	17.4	17.4	17.3 dBi	17.8	17.6	17.5 dBi	18	17.9	17.5 dBi	18	17.7	17.3 dBi
+45° and -45° polarization horizontal beamwidth	65° (half-power)			65° (half-power)			61° (half-power)			61° (half-power)		
+45° and -45° polarization vertical beamwidth	7.1° (half-power)			6.5° (half-power)			5.9° (half-power)			5.7° (half-power)		
Front-to-back ratio (180°±30°)	>25 dB, avg 28 dB			>26 dB, avg 28 dB			>25 dB, avg 27 dB			>25 dB, avg 27 dB		
Sidelobe suppression for:	0°	6°	12° T	0°	6°	12° T	0°	6°	12° T	0°	6°	12° T
First sidelobe above main beam	≥18	18	18 dB	≥18	18	18 dB	≥18	17	17 dB	≥18	18	17 d
Cross polar ratio	0°	30 dB (typical)		0°	30 dB (typical)		0°	25 dB (typical)		0°	25 dB (typical)	
Sector	±60°	>10 dB		±60°	>10 dB		±60°	>8 dB		±60°	>10 dB	

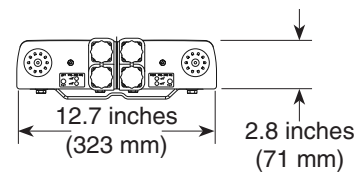
* Mechanical design is based on environmental conditions as stipulated in EIA-222-G-2 (December 2009) and/or ETS 300 019-1-4 which include the static mechanical load imposed on an antenna by wind at maximum velocity. See the Engineering Section of the catalog for further details.



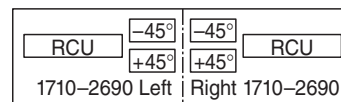


Mounting Options:

Model	Description
2 x 738 546 (included)	Mounting Kit for 2 to 4.6 inch (50 to 115 mm) OD mast. 4.4 lb (2 kg)
850 10013	Tilt Mount Kit 0–15 degrees downtilt angle. 7.4 lb (3.7 kg)



Bottom view



Layout of interface

Order Information:

Model	Description
800 10622	Antenna with 4 x 7-16 DIN connectors

All specifications are subject to change without notice. The latest specifications are available at www.kathrein-scala.com.

Kathrein Inc., Scala Division Post Office Box 4580 Medford, OR 97501 (USA) Phone: (541) 779-6500 Fax: (541) 779-3991
Email: communications@kathrein.com Internet: www.kathrein-scala.com