

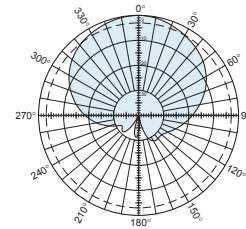
Kathrein wideband X-polarized antennas are designed for use in PCS, WCS, Wi-Fi, and WiMAX polarization diversity systems.

- X-polarized (+45° and -45°).
- UV resistant pulltruded radomes.
- Wideband vector dipole technology.
- DC Grounded metallic parts for impulse suppression.

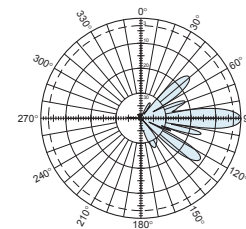
**General specifications:**

Frequency range	1710–2690 MHz
VSWR	<1.5:1
Impedance	50 ohms
Intermodulation (2x20w)	IM3: <-150 dBc
Polarization	+45° and -45°
Connector	4 x 7-16 DIN female
Electrical downtilt	0°–12° (continuously adjustable) (manual or remote control)
Isolation, between ports	>30 dB
Maximum input power	300 watts (at 50°C) per input
Weight	39.7 lb (18 kg) 44.1 lb (20 kg) clamps included
Dimensions	55.7 x 12.7 x 2.8 inches (1415 x 323 x 71 mm)
Wind load	at 93 mph (150kph)
Front/Side/Rear	162 lbf / 38 lbf / 167 lbf (720 N) / (165 N) / (740 N)
Mounting category	M (Medium)
Wind survival rating*	120 mph (200 kph)
Shipping dimensions	67.2 x 13.3 x 4.4 inches (1706 x 337 x 112 mm)
Shipping weight	48.5 lb (22 kg)
Mounting	Fixed mounts for 2 to 4.6 inch (50 to 115 mm) OD masts are included and tilt options are available.

See reverse for order information.



Horizontal pattern  
±45°- polarization

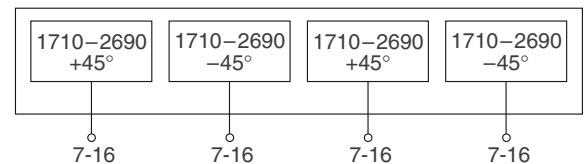


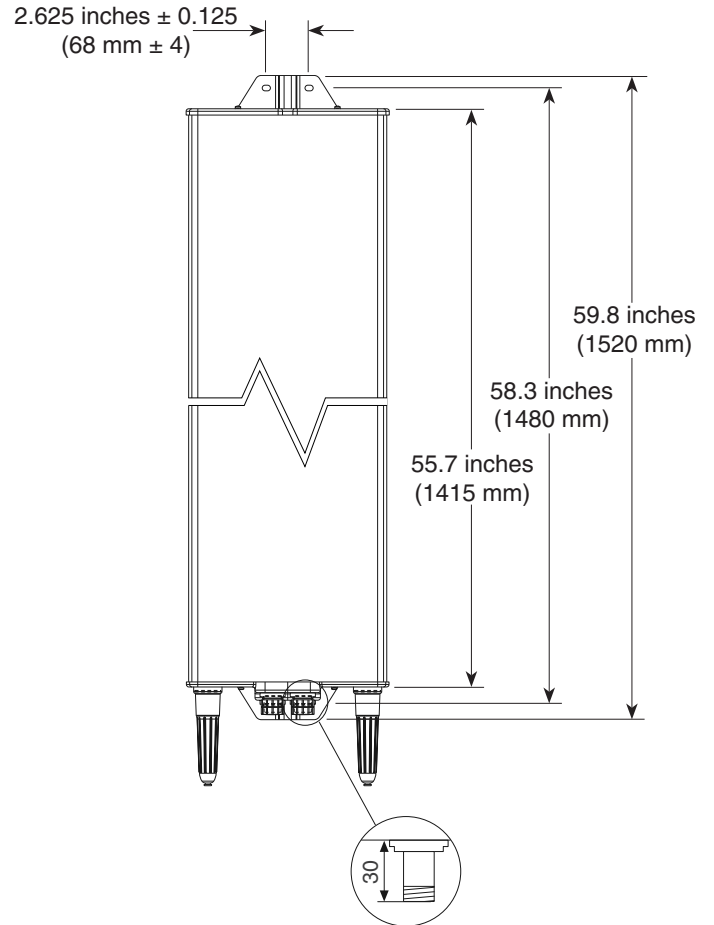
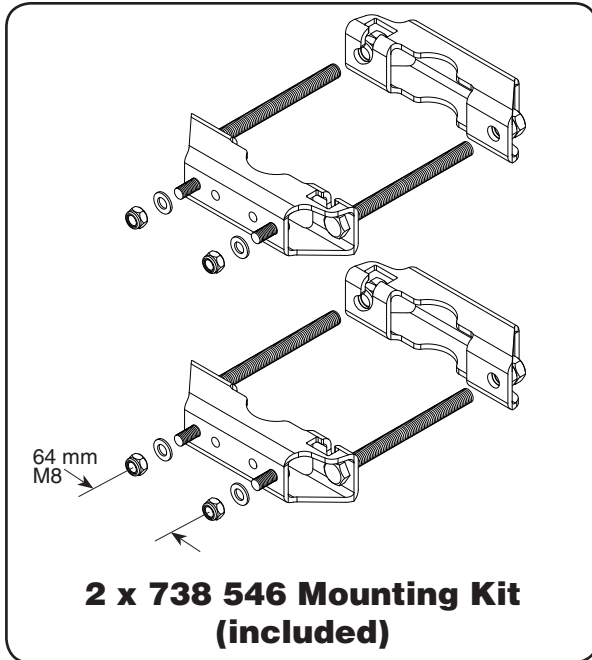
Vertical pattern  
±45°- polarization  
0°–12° electrical downtilt



Specifications:	1710–1990 MHz			1920–2200 MHz			2200–2490 MHz			2490–2690 MHz			
Gain	0°	6°	12° T	0°	6°	12° T	0°	6°	12° T	0°	6°	12° T	
	17.4	17.4	17.3 dBi	17.8	17.6	17.5 dBi	18	17.9	17.5 dBi	18	17.7	17.3 dBi	
+45° and -45° polarization horizontal beamwidth	65° (half-power)			65° (half-power)			61° (half-power)			61° (half-power)			
+45° and -45° polarization vertical beamwidth	7.1° (half-power)			6.5° (half-power)			5.9° (half-power)			5.7° (half-power)			
Front-to-back ratio (180°±30°)	>25 dB, avg 28 dB			>26 dB, avg 28 dB			>25 dB, avg 27 dB			>25 dB, avg 27 dB			
Sidelobe suppression for:	0°	6°	12° T	0°	6°	12° T	0°	6°	12° T	0°	6°	12° T	
First sidelobe above main beam	≥18	18	18 dB	≥18	18	18 dB	≥18	17	17 dB	≥18	18	17 d	
Cross polar ratio	0°	30 dB (typical)		30 dB (typical)		25 dB (typical)		25 dB (typical)		25 dB (typical)		25 dB (typical)	
Sector	±60°	>10 dB		>10 dB		>8 dB		>8 dB		>10 dB		>10 dB	

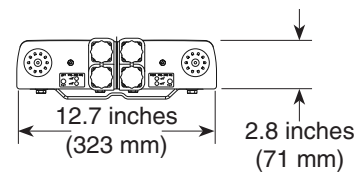
\* Mechanical design is based on environmental conditions as stipulated in EIA-222-G-2 (December 2009) and/or ETS 300 019-1-4 which include the static mechanical load imposed on an antenna by wind at maximum velocity. See the Engineering Section of the catalog for further details.



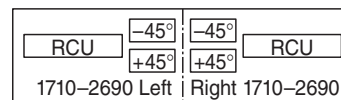


**Mounting Options:**

Model	Description
2 x 738 546 (included)	Mounting Kit for 2 to 4.6 inch (50 to 115 mm) OD mast. 4.4 lb (2 kg)
850 10013	Tilt Mount Kit 0–15 degrees downtilt angle. 7.4 lb (3.7 kg)



Bottom view



Layout of interface

**Order Information:**

Model	Description
800 10622	Antenna with 4 x 7-16 DIN connectors

All specifications are subject to change without notice. The latest specifications are available at [www.kathrein-scala.com](http://www.kathrein-scala.com).