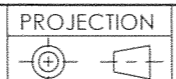


DRAWING NUMBER
Z800040255

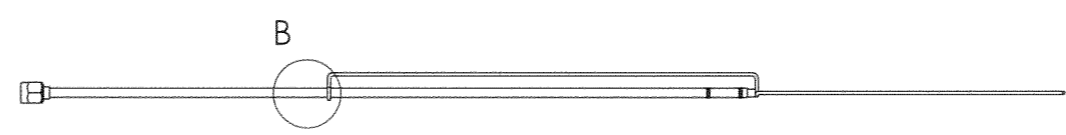
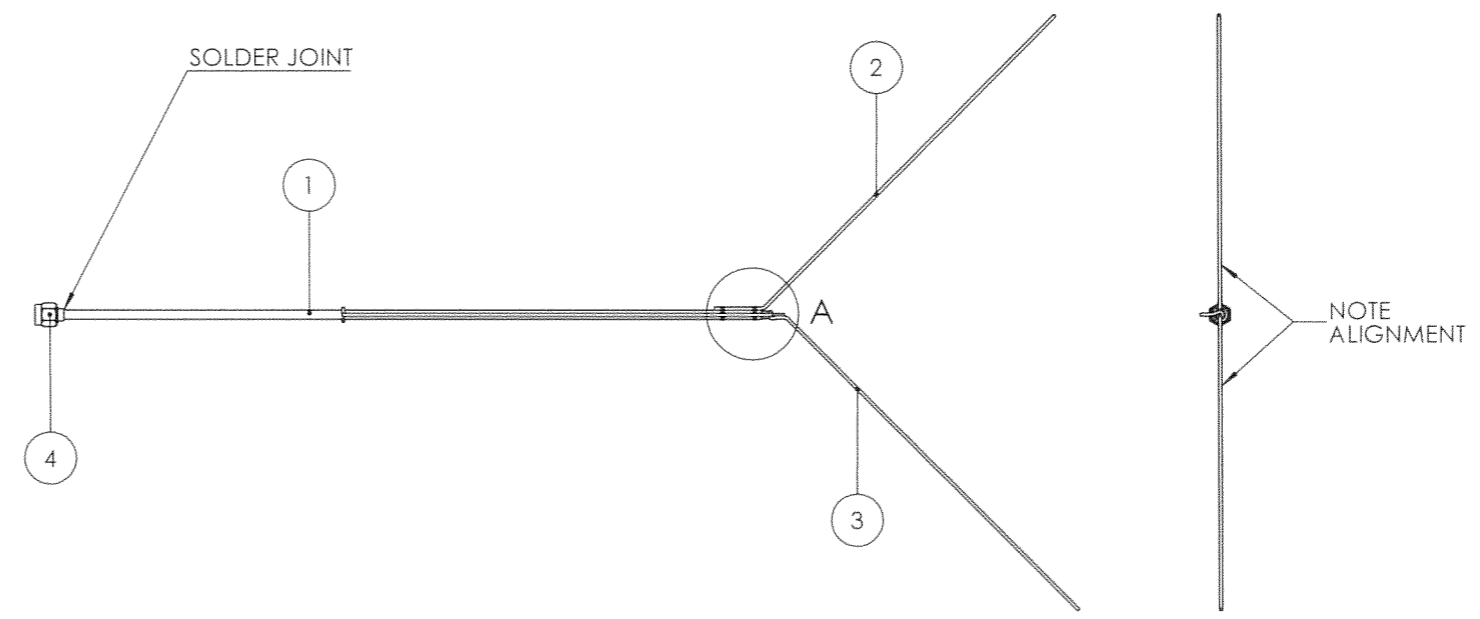
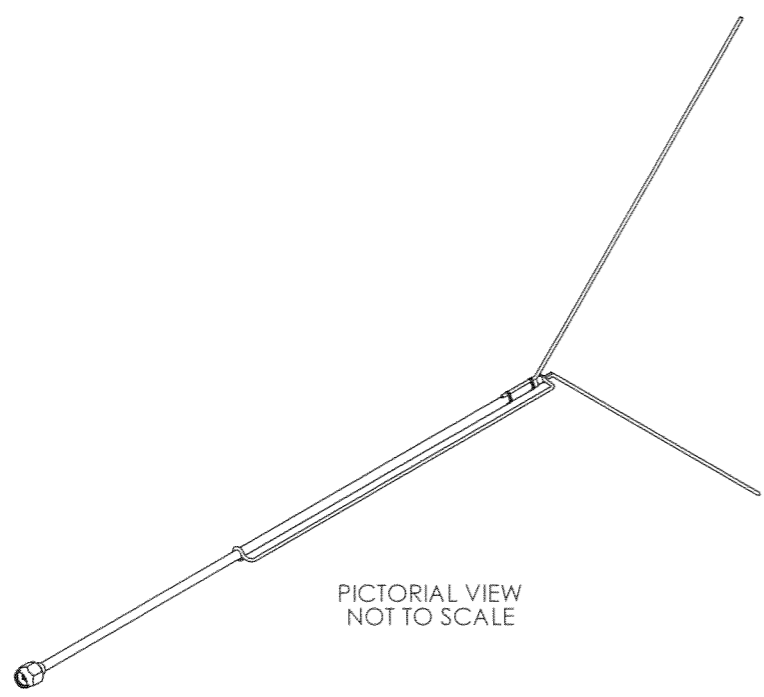
SECURITY CLASSIFICATION
UNCLASSIFIED



IF IN DOUBT ASK

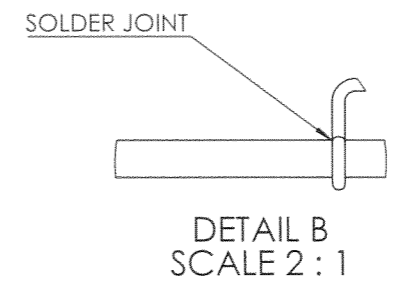
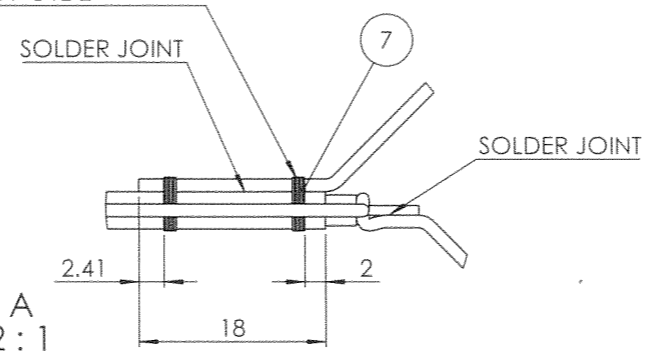
THE REPRODUCTION, DISTRIBUTION AND UTILISATION OF THIS DRAWING AS WELL AS THE COMMUNICATION OF ITS CONTENTS TO OTHERS WITHOUT EXPRESS AUTHORIZATION IS PROHIBITED. OFFENDERS WILL BE HELD LIABLE FOR THE PAYMENT OF DAMAGES. ALL RIGHTS ARE RESERVED IN THE EVENT OF THE GRANT OF PATENT, UTILITY MODEL OR DESIGN.

ALTERATIONS



- NOTE
1. SOLDER ITEMS 1-4 USING ITEMS 5 AND 6
 2. BIND ITEMS 2 AND 3 USING ITEM 7 BEFORE SOLDERING
 3. FOLLOW ASSEMBLY PROCESS PROCEDURE Z8B-PI-0047

SECURE WITH 6 TURNS OF HOOK UP WIRE AND SOLDER
2 POSN SEE NOTE 2



ITEM NO.	PART NUMBER	REVISION	DESCRIPTION	QTY.
1	Z800040256	A	UHF ANTENNA 455 MHz COAX	1
2	Z800040257	A	UHF ANTENNA 455 MHz DIPOLE	1
3	Z800040258	A	UHF ANTENNA 455 MHz BALUN	1
4	C-1050525	N/A	STRAIGHT 50Ω CABLE MOUNT SMA CONNECTOR PLUG SOLDER TERMINATION RG402 (TE CONNECTIVITY)	1
5	ANSI/IPC J-STD-004	N/A	ROSN GRADE WW FLUX TYPE ROLO	AS REQD
6	RS 226-243	N/A	MULTICORE WIRE SOLDER Ø0.5 217°C MELTING POINT HALIDE FREE 95.5% TIN 3.5% SILVER 0.7% COPPER (RS 226-243)	AS REQD
7	RS 390-561	N/A	35 SWG TINNED ANNEALED SOLID COPPER HOOK UP WIRE (RS 390-561)	AS REQD

DIMENSIONS mm	EST. MASS	© COPYRIGHT AIRBUS 2018			INITIAL ISSUE	
SCALE 1:2	21.14g				CREATED	CHK
MATERIAL N/A	SPECIFICATION N/A	SURFACE FINISH √Ra 1.6	TITLE UHF ANTENNA 455 MHz ASSEMBLY		RESponsible ENGINEER	PA APPROVAL
FINISH CLEAN	SPECIFICATION N/A	TOLERANCE GENERAL ISO 2768-mK	SECURITY CLASSIFICATION UNCLASSIFIED	MODIFICATION No.	DATE: 24-08-2018	No OF SHEETS 1
			DRAWING NUMBER Z800040255	TYPE AS	SHT No 1	ISSUE A